

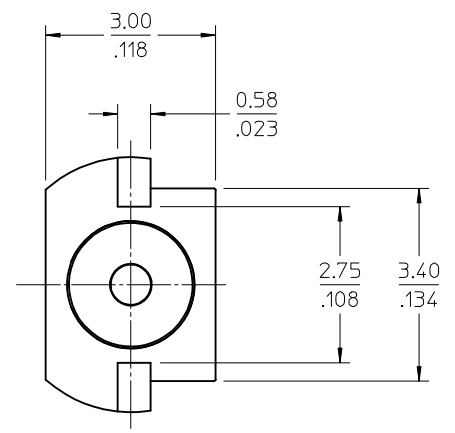
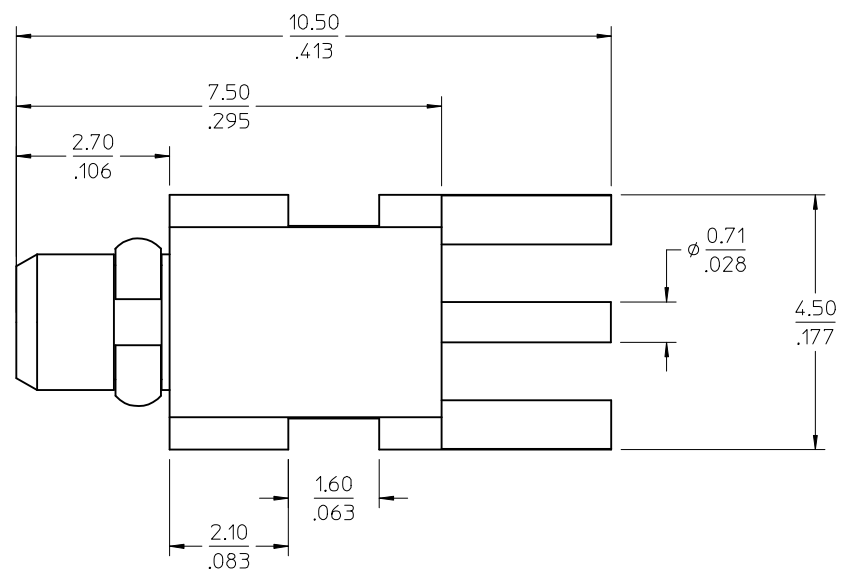
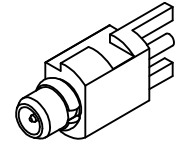
MATERIALS AND FINISHES

BODY CONTACT BRASS
PLATED GOLD

INSULATOR TEFLON

SNAP RING BERYLLIUM COPPER
PLATED GOLD

PACKING BY TAPE&REEL

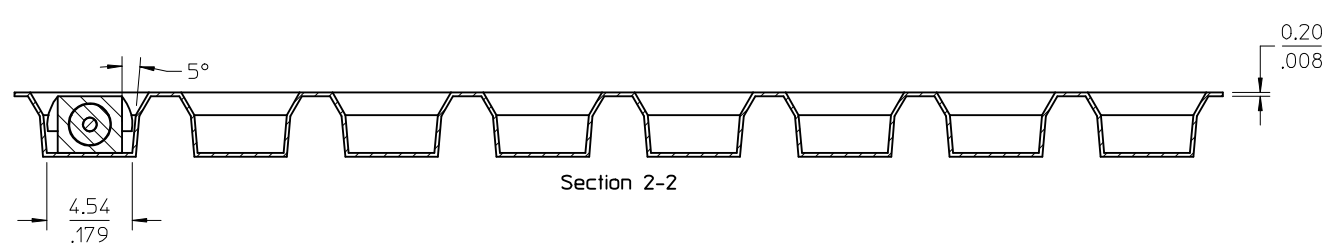
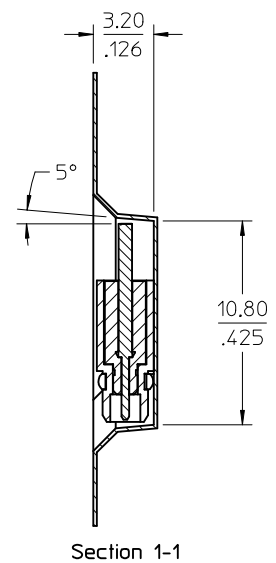
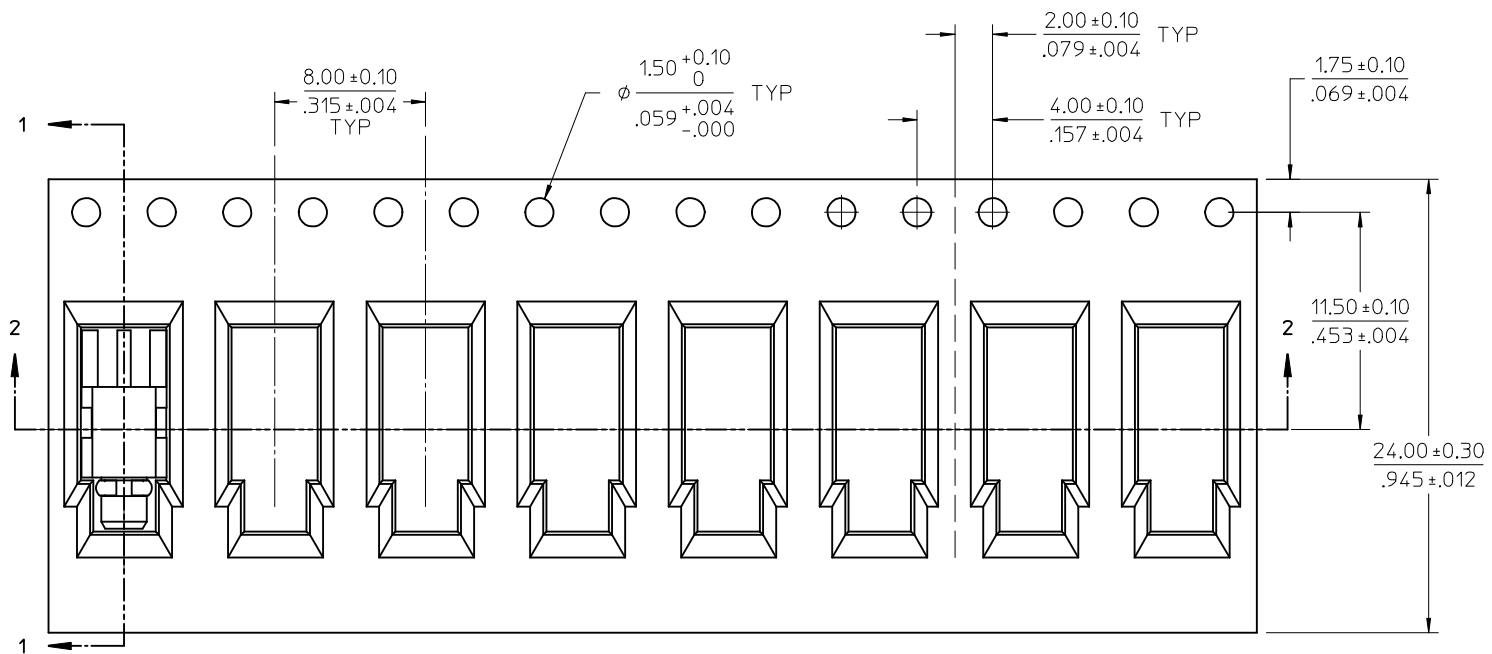


ES-73599-0000-0150	INTERFACE
PS-89675-1910	PRODUCT SPEC
SPECIFICATION	DESCRIPTION

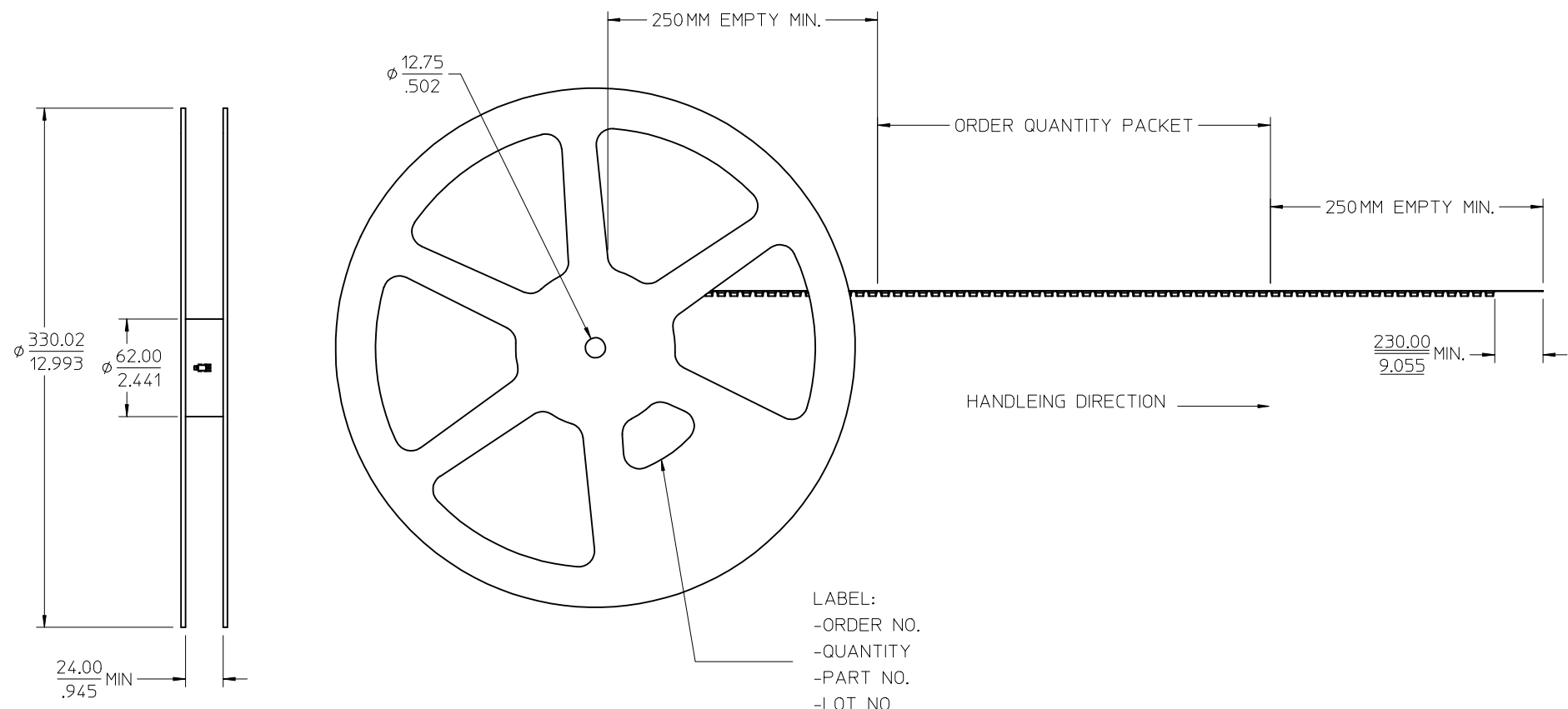
73415-1271	PER COMMERCIAL REQUIREMENTS
73415-1270	PER MILITARY REQUIREMENTS
PART NO.	DESCRIPTION

CHGADD T&R DWG PER: PDR13061353 EC No: DRF 2013-0715 DRAWN: CHENG 2013/06/21 CHKD: APPR: MHUANG 2013/06/21 REV: D2	QUALITY SYMBOLS	GENERAL TOLERANCES (UNLESS SPECIFIED)	DIMENSION STYLE	SCALE	DESIGN UNITS	THIRD ANGLE PROJECTION
			MM/IN		METRIC	

4 PLACES ± --- ± ---	DRAWN BY YCHENG	DATE 2013/06/18	TITLE
3 PLACES ± --- ± ---	CHECKED BY KERRIE	DATE 2013/06/19	MMCX, PLUG 50 OHM EDGE LAUNCHER MMCX-P/PCB molex
2 PLACES ± --- ± ---	APPROVED BY MHUANG	DATE 2013/06/21	
1 PLACE ± --- ± ---			
0 PLACE ± --- ± ---			
ANGULAR ± 2°		MATERIAL NO.	DOCUMENT NO.
DRAFT WHERE APPLICABLE MUST REMAIN WITHIN DIMENSIONS		SEE TABLE	SD-73415-127
SIZE C		THIS DRAWING CONTAINS INFORMATION THAT IS PROPRIETARY TO MOLEX INCORPORATED AND SHOULD NOT BE USED WITHOUT WRITTEN PERMISSION	



CHG:SEE SHEET1 EC NO: URF2013-0715 DRAWN:YCHENG 2013/06/21 CHKD: APPR:MHUANG 2013/06/21 REV: D2	QUALITY SYMBOLS	GENERAL TOLERANCES (UNLESS SPECIFIED)	DIMENSION STYLE	SCALE	DESIGN UNITS	THIRD ANGLE PROJECTION
	▽=0	mm INCH	MM/IN	METRIC	◎	
	▽=0	4 PLACES ± --- ± ---	DRAWN BY DATE	TITLE	MMCX, PLUG 50 OHM EDGE LAUNCHER MMCX-P/PCB	
	▽=0	3 PLACES ± --- ± ---	YCHENG 2013/06/18	2013/06/18		
	2 PLACES ± --- ± ---	CHECKED BY DATE	molex		MATERIAL NO. DOCUMENT NO. SHEET NO. SEE SHEET1 SD-73415-127 2 OF 3	
	1 PLACE ± --- ± ---	KERRIE 2013/06/19				
	0 PLACE ± --- ± ---	APPROVED BY DATE	THIS DRAWING CONTAINS INFORMATION THAT IS PROPRIETARY TO MOLEX INCORPORATED AND SHOULD NOT BE USED WITHOUT WRITTEN PERMISSION			
		ANGULAR ± 2°				
		DRAFT WHERE APPLICABLE MUST REMAIN WITHIN DIMENSIONS				



LABEL:
 -ORDER NO.
 -QUANTITY
 -PART NO.
 -LOT NO.

PACKING DESCRIPTION:

1. MATERIAL:PS BLACK THICKNESS 0.4MM
2. PACKING LENGTH PER 22" REEL : 62 METERS(1;3)
3. COMPONENT LOAD PER 13" REEL : 2500 PCS
4. DIMENSION ARE ROVIDED FOR REFERANCE ONLY

CHG:SEE SHEET1 EC NO: URF2013-0715 DRAWN:YCHENG 2013/06/21 CHKD: APPR:MHUANG 2013/06/21	DESCRIPTION 2013/06/21	QUALITY SYMBOLS	GENERAL TOLERANCES (UNLESS SPECIFIED)		DIMENSION STYLE	SCALE	DESIGN UNITS	THIRD ANGLE PROJECTION
		▽=0	mm	INCH	MM/IN	METRIC	TITLE MMCX, PLUG 50 OHM EDGE LAUNCHER MMCX-P/PCB molex	
		▽=0	4 PLACES ± --- ± ---	3 PLACES ± --- ± ---	DRAWN BY	DATE		
		▽=0	2 PLACES ± --- ± ---	1 PLACE ± --- ± ---	CHECKED BY	DATE		
▽=0	0 PLACE ± --- ± ---	APPROVED BY	DATE					
REV	D2	ANGULAR ± 2 °		MATERIAL NO.	DOCUMENT NO.		SHEET NO.	
		DRAFT WHERE APPLICABLE MUST REMAIN WITHIN DIMENSIONS		SEE SHEET1	SD-73415-127		3 OF 3	
				SIZE	THIS DRAWING CONTAINS INFORMATION THAT IS PROPRIETARY TO MOLEX INCORPORATED AND SHOULD NOT BE USED WITHOUT WRITTEN PERMISSION			