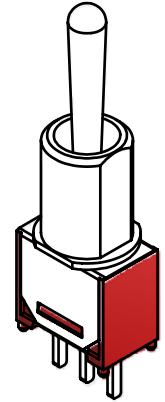
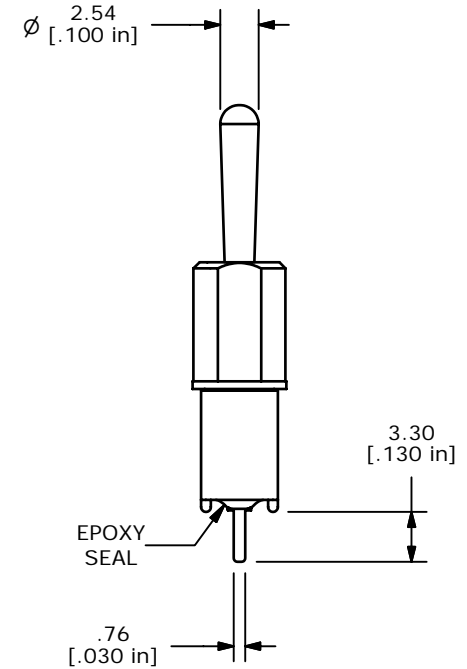
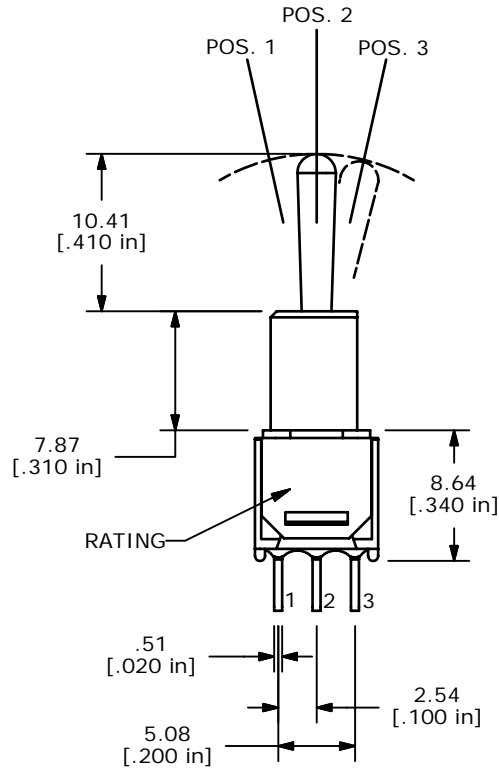
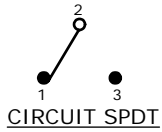


ISOMETRIC



SWITCH FUNCTION		
POS. 1	POS. 2	POS. 3
ON	OFF	ON
2-3	OPEN	2-1



- NOTE:
1. ALL DIMENSIONS IN MM [INCH]
  2. GENERAL TOLERANCE: X.X=±0.4  
X.XX=±0.25
  3. TERMINAL NUMBERS FOR REF ONLY
  - ▲ 4. PLATING MATERIAL: SILVER
  5. RATING: 3 AMPS @ 120VAC OR 28VDC  
1 AMPS @ 250VAC
  6. ELECTRIC LIFE: 30,000 MAKE-AND-BREAK CYCLES AT FULL LOAD.
  7. CONTACT RESISTANCE: 20 MILLI-OHMS MAX.
  8. INSULATION RESISTANCE: 1,000 MEGA-OHM MIN.
  9. DIELECTRIC STRENGTH: 1,000 V RMS @SEA LEVEL.
  10. OPERATING TEMP.: -30°C to 85°C
  11. ▲ DENOTES CRITICAL PARAMETER.
  12. 2002/95/EC (ROHS) COMPLIANT



TITLE 200MSP3T4B6M2QE

A	18498	RELEASE FOR PRODUCTION	5/1/09	BLR
REV	PCR NO	DESCRIPTION	DATE	BY

SCALE	DATE	DR	DWG	REV
2:1	5/1/09	BLR	T212031	A

THE INFORMATION CONTAINED IN THIS DOCUMENT IS PROPRIETARY TO E-SWITCH AND IS NOT TO BE COPIED OR TRANSFERRED