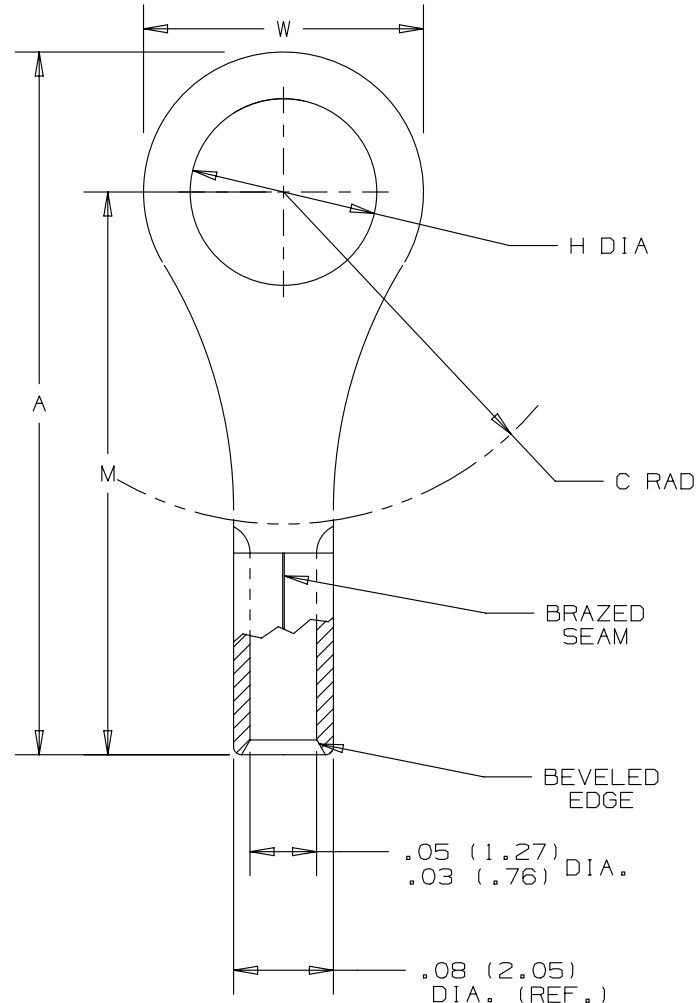


THIS COPY IS PROVIDED ON A RESTRICTED BASIS AND IS NOT TO BE USED IN ANY WAY DETRIMENTAL TO THE INTERESTS OF PANDUIT CORP.

PANDUIT PART NUMBER	STUD SIZE	DIMENSIONS in.					TOOL
		A (MAX)	W +/- .010	C (MIN)	M +/- .02	H +/- .010	
P22-2R	#2	.52 (13.20)	.205 (5.20)	.16 (4.06)	.42 (10.67)	.092 (2.34)	CT-100A (POCKET B)  CT-200
P22-4R	#4	.52 (13.20)	.205 (5.20)	.16 (4.06)	.42 (10.67)	.132 (3.35)	
P22-6R	#6	.52 (13.20)	.205 (5.20)	.16 (4.06)	.42 (10.67)	.152 (3.86)	
P22-8R	#8	.63 (16.00)	.260 (6.60)	.25 (6.35)	.50 (12.70)	.175 (4.45)	
P22-10R	#10	.63 (16.00)	.315 (8.00)	.22 (5.59)	.47 (11.93)	.215 (5.46)	



NOTES:

1. RECOMMENDED FOR #26-22 SOLID OR STRANDED COPPER WIRE
2. MATERIAL:  
A. STAMPING - .020 (0.51) THK COPPER, TIN PLATED
3. SEE WWW.PANDUIT.COM FOR PACKAGE QUANTITIES
4. DIMENSIONS IN BRACKETS ARE IN MILLIMETERS
5. WIRE STRIP LENGTH:  $3/16 + 1/32$  (4.8 + .8)  
- 0 - 0

REV	DATE	BY	CHK	APR	DESCRIPTION	ECN
07	4/14	JHNU	JHNU	RGB	REVISED LAYOUT OF TOOL IN TABLE	N41227BB-DC
06	4/14	JHNU	JHNU	RGB	REVISED NOTES, TABLE REVISED TITLE BLOCK	N41227BB-DC

TITLE		<b>#26-22 BARREL NON-INSULATED RING TONGUE</b>	
		CUSTOMER DRAWING	
ITEM REVISION NAME		N41227BB/07	
DATASET FILE NAME		N41227BB/07	
UNLESS OTHERWISE SPECIFIED, DIMENSIONAL TOLERANCES ARE: IN (mm)		MATERIAL:	
.X ±		.XXX ±	
.XX ±		ANGLES ±	
DRAWN BY: DAW		DATE:	
CHK: RLS		SCALE: N/A	
DRAWING NUMBER: N41227BB-DC		SHT 1 OF 1	
SIZE: A			

D101000DA/16