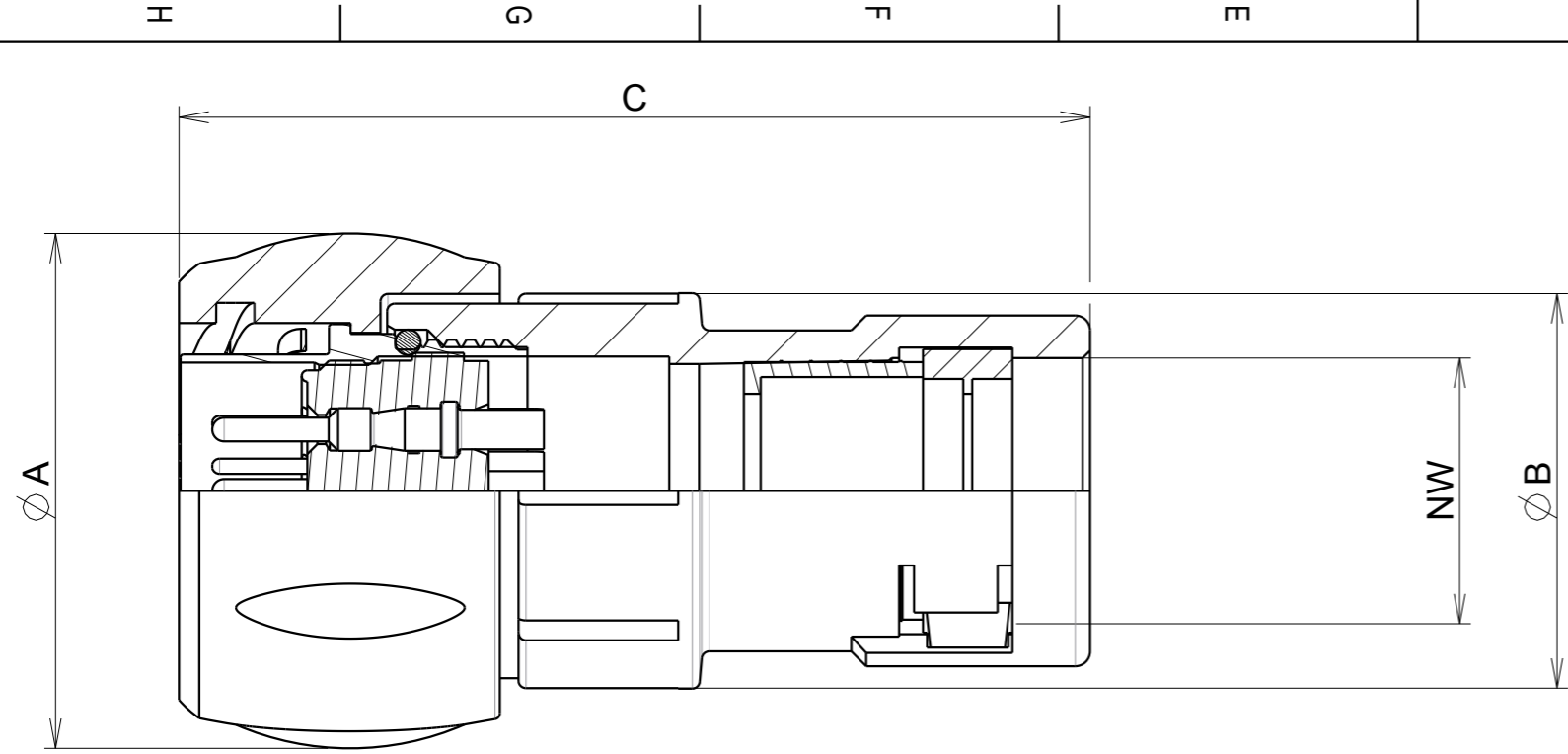
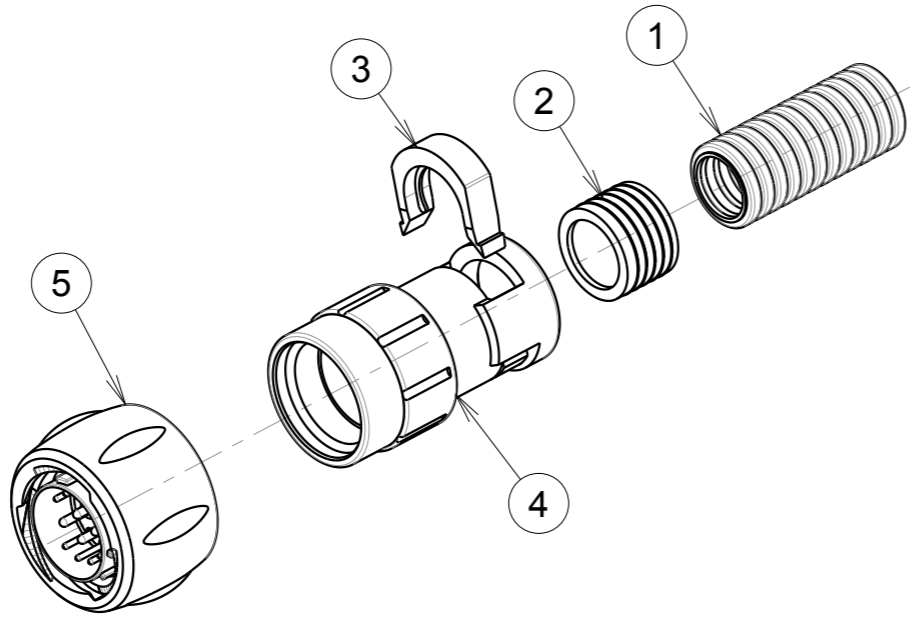


C.2: Validé



ASSEMBLED VIEW

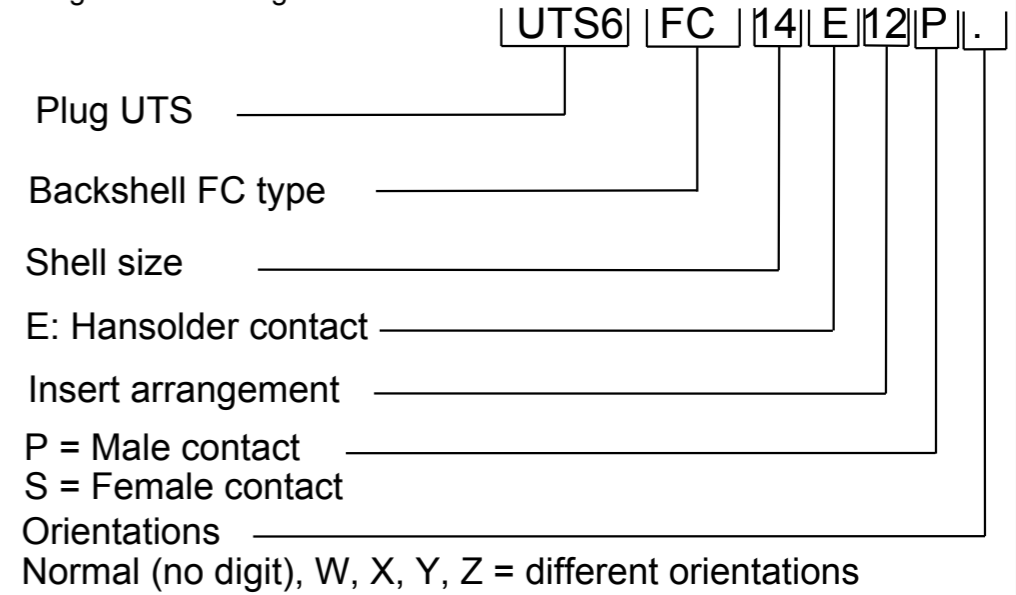
P/N	CONNECTOR SIZE	FLEX SIZE CONDUIT (see note 4)	∅ A Maxi	∅ B ± 0.3	C ± 0.6
UTS6FC12EXXP/S	12	NW12	30.1	24	61
UTS6FC14EXXP/S	14	NW12	35.1	26.5	61



MATERIAL :
 ① Flexible conduit
 ② Seal : Elastomer
 ③ Retaining clip : Polyamid
 ④ Backshell body : Polyamid
 ⑤ Coupling Nut : Polyamid
 Insert : Polychloroprene
 Shell : Polyamid
 Coupling spring : Stainless steel
 O'seal : Nbr
 Contact : brass + gold plated

NOTES :
 -1-Insert arrangements refer to BT297 see drawing for information : C144-UTS1-A
 -2-Delivered as a kit in a plastic bag (individual): with parts 2, 3, 4 and 5
 -3-Flexible conduit not sold by SOURIAU
 -4-Recommended flexible conduit range: PMAFLEX
 -5-For assembly instruction, see BT297

PERFORMANCE CHARACTERISTICS :
 Operating temperature: -40° C up to 105° C
 Corrosion salt spray: 500 hours
 Sealing in assembly conditions: (with an UTS connector)
 -IP68 compliant ; 1 bars/30 min
 -IP69K as per DIN40050
 Insulation resistance: 5000 M min
 Test potential : 2000Vrms for #16 layout and 1500Vrms for #20 layout
 Durability: 250 matings and unmatings



Country	Jurisdiction & Control List
FR	NOT LISTED

P/N : UTS6FC**E**P/S

C	29/11/2017	Update notes	22523D
ISS	DATE	Latest modification - by: COURTOIS L.	MOD N°
Designed by: J. FEURPRIER		Date: 02/04/2017	CUSTOMER DRAWING
TITLE		ASSEMBLY BACKSHELL AND UTS PLUG CONNECTOR UTS HI SEAL CONNECTOR	
Scale	1/2	General linear Tolerances: ± 0.2	NPRDS / PROJECT IC124509A
SOURIAU		WWW.SOURIAU.COM	
This document is the property of SOURIAU It must not be reproduced or communicated without permission			
FORMAT	SOURIAU DRG N° C216-UTS1-A		SHEET 1 / 1

SOURIAU shall not be liable for any non-conformity or damage due to a use of the Products which does not comply with the Specifications issued by either of the Parties or by a third party (professional recommendation, technical notice.)