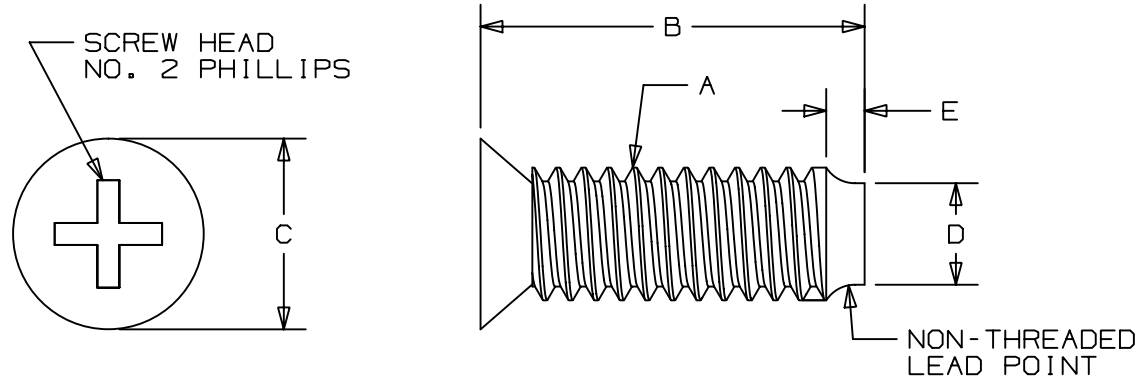


THIS COPY IS PROVIDED ON A RESTRICTED BASIS AND IS NOT TO BE USED IN ANY WAY DETRIMENTAL TO THE INTERESTS OF PANDUIT CORP.



PANDUIT PART NO.	A	B in (mm)	C in (mm)	D in (mm)	E in (mm)	APPROX. WEIGHT 10 PCS. lbs. (g)	FOR USE WITH THESE CINCH TIES
UCTGS1224	#12-24	0.625 (15.875)	0.310 (7.87)	0.146 (3.71)	0.063 (1.60)	.046 (21)	UGCTC3S, UGCTC5S, UGCTE3S, UGCTE5S, GCTC3S, GCTC5S, GCTE2S, GCTE4S
UCTGSM5	M5	0.630 (16.00)	0.310 (7.87)	0.165 (4.20)	0.059 (1.50)	.042 (19)	
UCTGSM6	M6	0.630 (16.00)	0.310 (7.87)	0.165 (4.20)	0.059 (1.50)	.055 (25)	

NOTES:  
 1) SEE CURRENT PRICE SHEET FOR PART NUMBER SUFFIX DESIGNATION FOR PACKAGE SIZE.  
 2) FINISH: BLACK ZINC.

										DIMENSIONS IN PARENTHESES ARE IN METRIC UNITS					
										SS-27409_00					
										PANDUIT CORP. TINLEY PARK, ILLINOIS					
										UCT MOUNTING SCREWS					
										UNLESS OTHERWISE SPECIFIED, DIMENSIONAL TOLERANCES ARE: (.X)± (.XXX)± .040 (.XX)± ANGLES°		UNLESS OTHERWISE SPECIFIED, ALL DIMENSIONS ARE GIVEN IN INCHES, THIRD ANGLE PROJECTION.			
										DRAWN BY TJ		MAT'L: STEEL		SCALE 5X	
										DATE 9/20/03		DRAWING NO. SS-27409		DWG A	
										CHK'D				SIZE	
R	10/20/03	TJ		DRAWING RELEASED			27409	R							
REV	DATE	BY	CHK	DESCRIPTION			ECN	-	R	CUST	SUP				