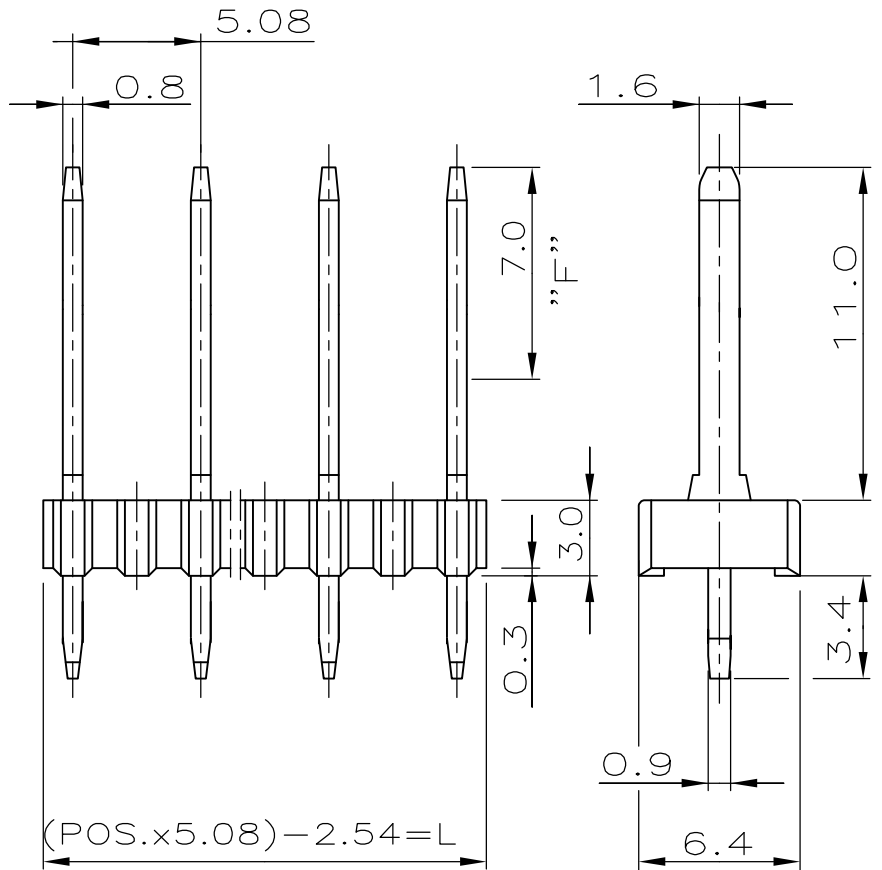


LOC	DIST	REVISIONS					
—	—	P	LTR	DESCRIPTION	DATE	DWN	APVD
		H		RESIN CHANGE FROM EXISTING PBT TO READILY AVAILABLE PBT	09OCT2015	KJK	PS

Pos.	L ± 0.3	PART NUMBER
1	2.54	<del>827 871</del> 1
2	7.62	— 2
3	12.70	— 3
4	17.78	— 4
5	22.86	— 5
6	27.94	— 6
7	33.02	— 7
8	38.10	— 8
9	43.18	— 9
10	48.26	1 — 0
11	53.34	1 — 1
12	58.42	1 — 2
13	63.50	1 — 3
14	68.58	1 — 4
15	73.66	1 — 5
16	78.74	1 — 6
17	83.82	1 — 7
18	88.90	1 — 8
19	93.98	1 — 9
20	99.06	2 — 0
21	104.14	2 — -1
22	109.22	2 — -2
23	114.30	2 — -3
24	119.38	2 — -4
25	124.46	2 — -5
26	129.54	2 — -6
27	134.62	2 — -7
28	139.70	2 — -8
29	144.78	2 — -9
30	149.86	3-827 871-0

CONTACT PIN	CuSn	△
PIN HOUSING	PBT-GV	GREEN
DESCRIPTION	MATERIAL	COLOR FINISH



NOTES:

- △1 STECKSEITE: IM BEREICH "F" 0.8 μm GOLD ÜBER 1.27 μm NICKEL  
LÖTSEITE: 2.5-5 μm ZINN ÜBER 1.27 μm NICKEL
- △2 OBSOLETE PARTS: OBSOLETE CIS STREAMLINING PER D.RENAUD/D.SINISI
- △3 OBSOLETE

RELEASED FOR PUBLICATION

ALL RIGHTS RESERVED.

THIS DRAWING IS UNPUBLISHED.

COPYRIGHT - By -

DIMENSIONS: mm	DWN	18.05.81	MATERIAL	FINISH
	CHK	R.JÄGER	—	—
TOLERANCES UNLESS OTHERWISE SPECIFIED:	APVD	—	TE Connectivity	
	PRODUCT SPEC	—		
0 PLC ± 0.2 mm	APPLICATION SPEC	—	NAME	
1 PLC ± -	—	—	AMPMODU I PIN HEADER, PITCH 5.08	
2 PLC ± -	—	—	AMPMODU I STIFTLISTE, RASTER 5.08	
3 PLC ± -	—	—	SIZE	RESTRICTED TO
4 PLC ± -	—	—	A4	—
ANGLES ± -	WEIGHT	—	CAGE CODE	DRAWING NO
	—	—	00779	827871
CUSTOMER DRAWING			SCALE	REV
—			4:1	H