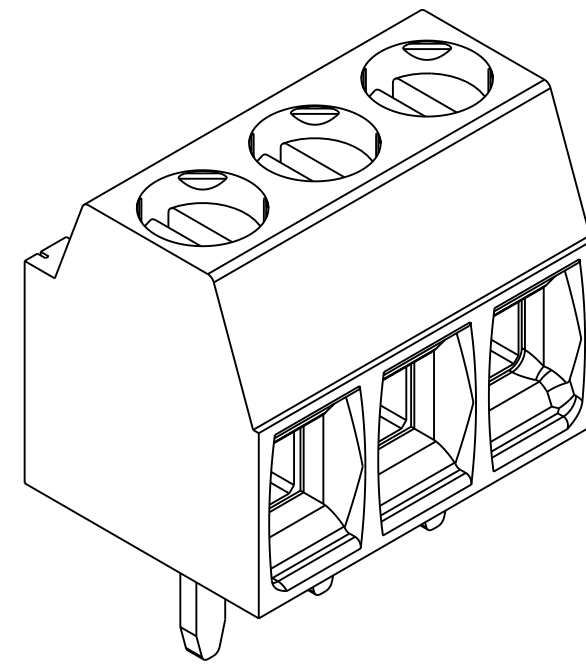
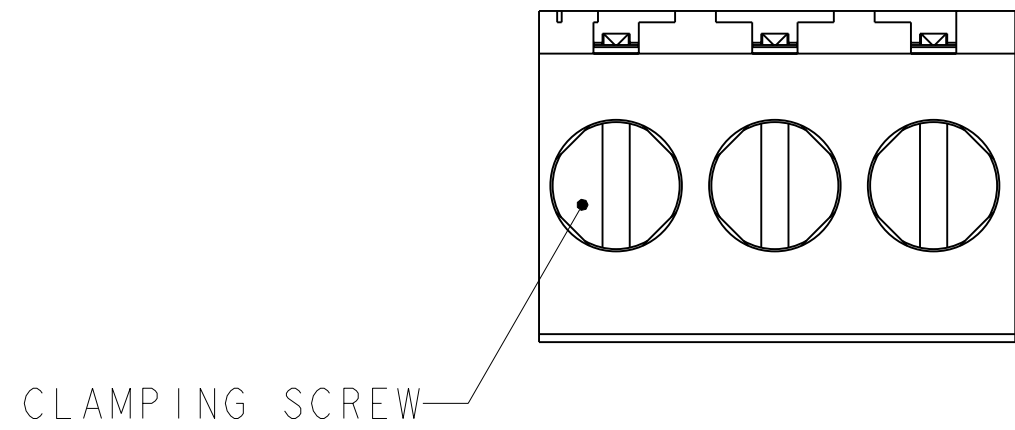


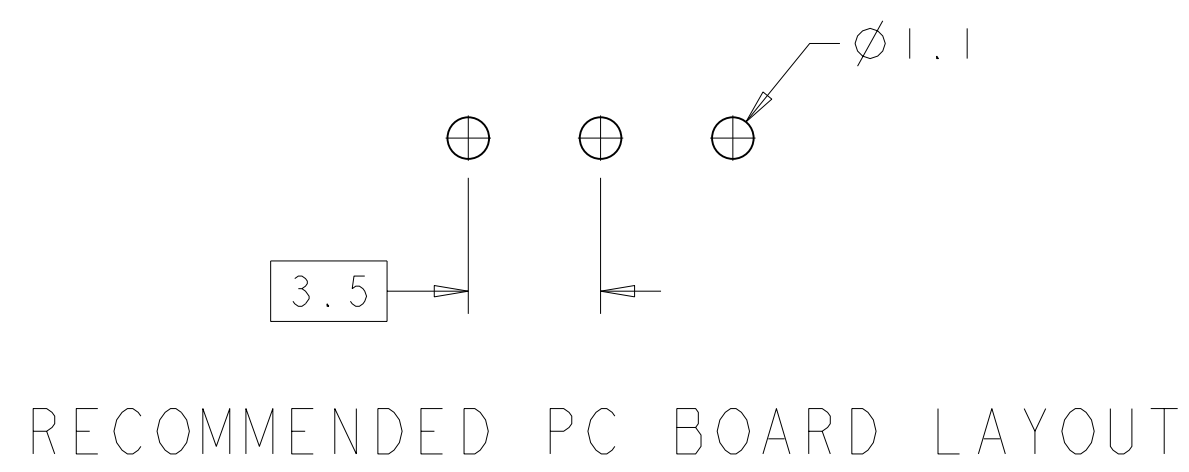
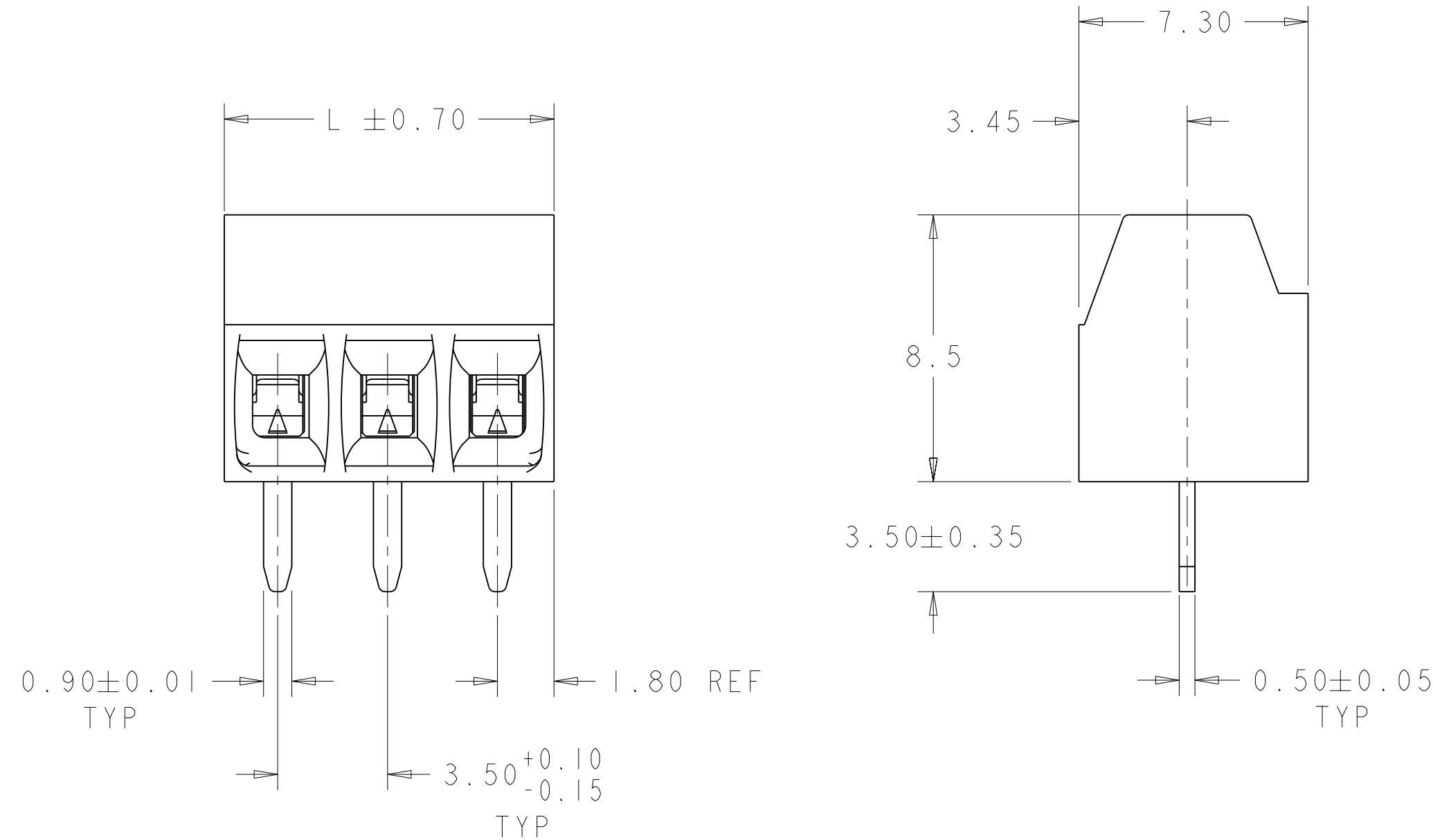
THIS DRAWING IS UNPUBLISHED. RELEASED FOR PUBLICATION 20
 © COPYRIGHT 20 BY TYCO ELECTRONICS CORPORATION. ALL RIGHTS RESERVED.

LOC		DIST		REVISIONS			
P	LTR	DESCRIPTION	DATE	DWN	APVD		
	O	RELEASED	30APR2003	SW	CR		
	A	REVISED EC 0G3B-0102-04	25FEB2004	SW	CR		
	AI	REVISED ECO-05-014184	13JAN2006	SW	CR		



1546551-3 AS SHOWN

- ⚠ MATERIALS AND FINISH:
 HOUSING: PA 6-6, UL 94 VO-RATED, COLOR: GREEN.
 TERMINAL: COPPER ALLOY, TIN PLATED.
 CLAMP: COPPER ALLOY, NICKEL PLATED.
 CLAMPING SCREW: COPPER ALLOY, NICKEL PLATED.
- WIRE SIZE RANGE: 16-28 AWG.
 - CURRENT RATING: 12A, 300V
 OPERATING TEMPERATURE: -40°C TO +110°C
 - SUITABLE FOR 2.4mm MAX PC BOARD THICKNESS.



87.50	25	2-1546551-5
84.00	24	2-1546551-4
80.50	23	2-1546551-3
77.00	22	2-1546551-2
73.50	21	2-1546551-1
70.00	20	2-1546551-0
66.50	19	1-1546551-9
63.00	18	1-1546551-8
59.50	17	1-1546551-7
56.00	16	1-1546551-6
52.50	15	1-1546551-5
49.00	14	1-1546551-4
45.50	13	1-1546551-3
42.00	12	1-1546551-2
38.50	11	1-1546551-1
35.00	10	1-1546551-0
31.50	9	1546551-9
28.00	8	1546551-8
24.50	7	1546551-7
21.00	6	1546551-6
17.50	5	1546551-5
14.00	4	1546551-4
10.50	3	1546551-3
7.00	2	1546551-2
L	NO OF POSN	PART NUMBER

THIS DRAWING IS A CONTROLLED DOCUMENT FOR TYCO ELECTRONICS CORPORATION. IT IS SUBJECT TO CHANGE AND THE CONTROLLING ENGINEERING ORGANIZATION SHOULD BE CONTACTED FOR THE LATEST REVISION.		DWN S. WELDON 30APR2003	Tyco Electronics Harrisburg, PA 17105-3608	
DIMENSIONS: mm		CHK C. RICHARD 30APR2003	NAME TERMINAL BLOCK, PCB MOUNT, STRAIGHT, 8.5mm PROFILE, SIDE WIRE ENTRY, 3.5mm PITCH	
TOLERANCES UNLESS OTHERWISE SPECIFIED: 0 PLC ±.3 1 PLC ±.3 2 PLC ±.25 3 PLC ±0 4 PLC ±0 ANGLES ±		APVD C. RICHARD 30APR2003		
MATERIAL		PRODUCT SPEC	SIZE A2	CAGE CODE 00779
FINISH		APPLICATION SPEC	DRAWING NO C=1546551	RESTRICTED TO
CUSTOMER DRAWING		WEIGHT	SCALE 6:1	SHEET 1 OF 1
			REV A1	