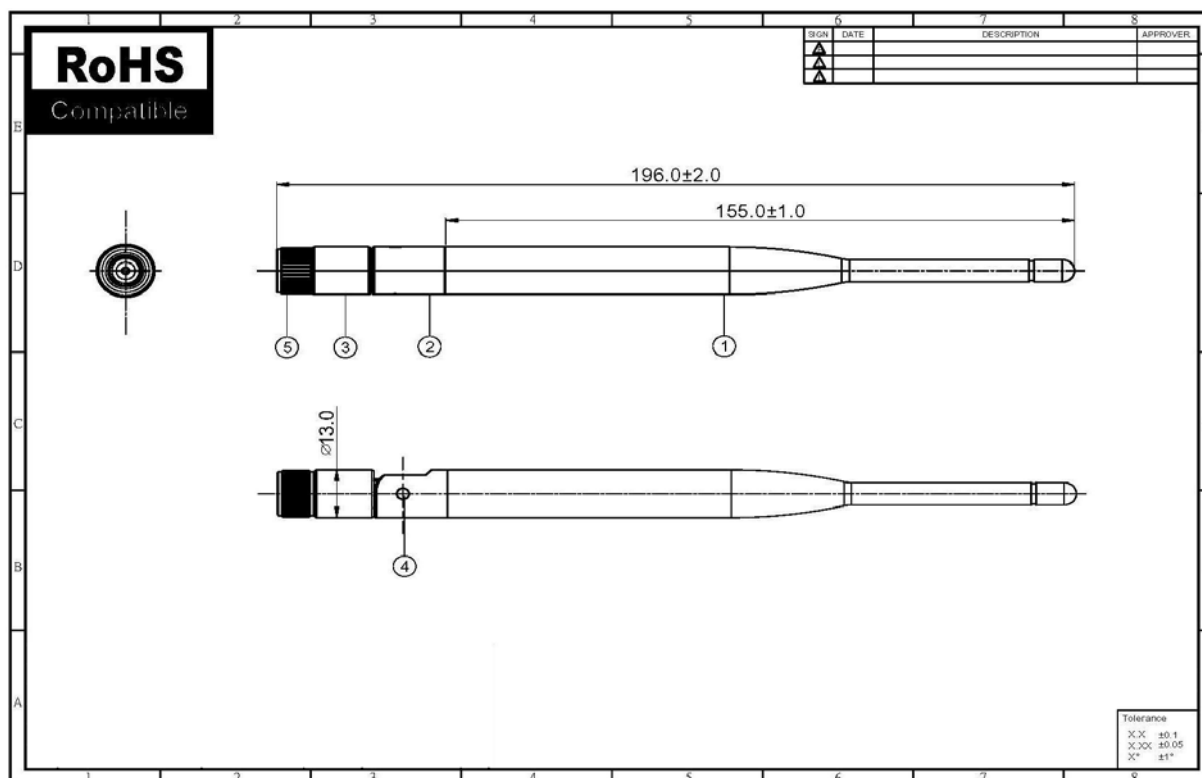


Digi International



Specification

A. Electrical Characteristics	
S.W.R.	$\leq 2.0 @ 870 \text{ MHz}$
Antenna Gain	$2.2 \pm 0.7 \text{ dBi @ } 865 \text{ MHz}$
Impedance	50 Ohm
B. Material	
Material of Radiator	Cu (Plated)
Connector Type	RPSMA Male (Plug)
C. Environmental	
Operation Temperature	- 30 °C ~ + 85 °C
Storage Temperature	- 30 °C ~ + 85 °C