

A

B

C

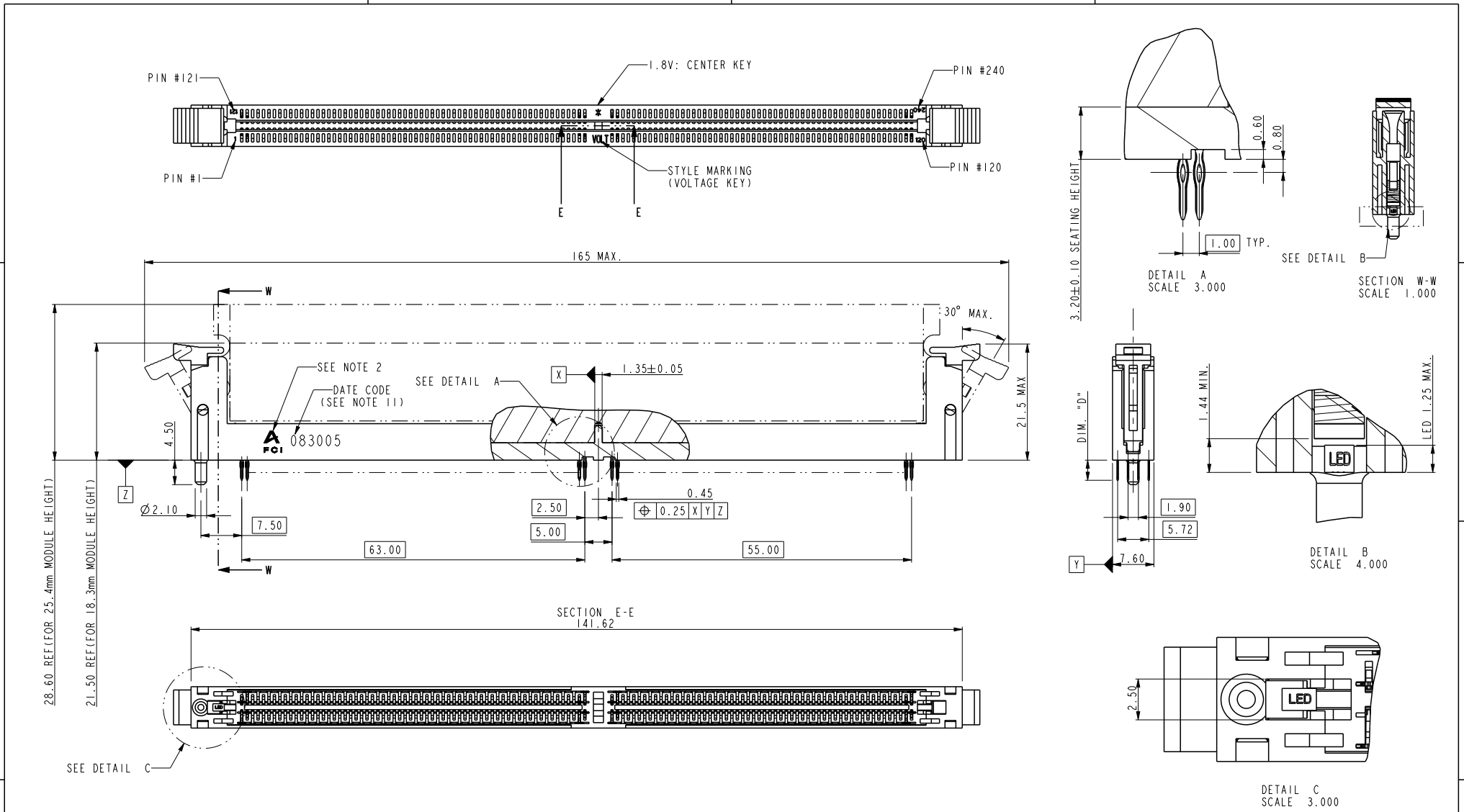
D

A

B

C

D



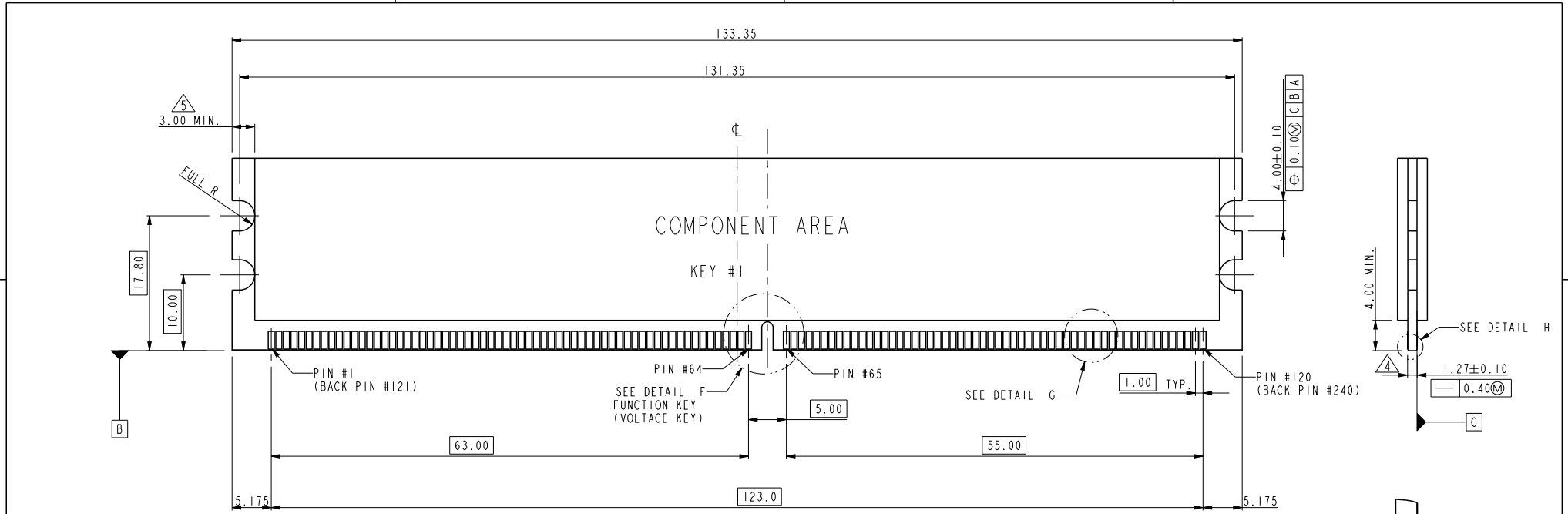
spec ref	*	dr	Rick Bian	2010/07/04	projection	MM	size	A4	scale	0.500	
tolerance std	TOLERANCES UNLESS OTHERWISE SPECIFIED	eng	Jeny Ren	2018/01/25			ecn no		ELX-DG-28708-1		
ISO 406		chr	-	-			rel level		Released		
ISO 1101		appr	Nickor Zuo	2018/01/29	product family		rev		B		
surface	linear	Amphenol FCI title DDR II 240P PRESS-FIT LOWER LATCH cat. no.			dwg no 10083950		Product - Customer Drw sheet 1 of 4				
										0.X	±0.38
										0.XX	±0.25
		0.XXX	±0.13								
	angular	0°	±2°								

A

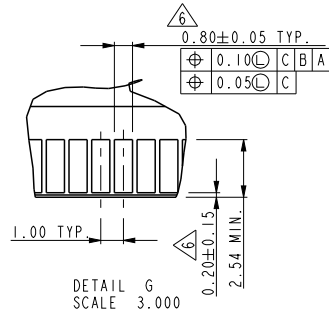
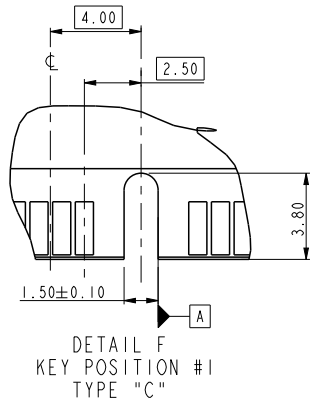
B

C

D



REFERENCE ONLY - SEE JEDEC SPEC MO-237 FOR DETAIL



TYPE "C"	1.8 VOLTAGE
SUB KEY POS #1	DESCRIPTION

NOTE:
1. MATERIAL : FR-4.
2. FINISH: SOLDER MASK.
3. BURR: 0.08 MAX.

spec ref	*	dr	Rick Bian	2010/07/04	projection	MM	size	A4	scale	0.500	
tolerance std	TOLERANCES UNLESS OTHERWISE SPECIFIED	eng	Jeny Ren	2018/01/25		←→	ecn no	ELX-DG-28708-1			
ISO 406		chr	-	-			rel level	Released			
ISO 1101		appr	Nickor Zuo	2018/01/29	product family						
surface	linear	Amphenol FCi	title	DDR II 240P PRESS-FIT	cat. no.	*	Product - Customer Drw	dwg no	10083950	rev	B
	0.X									±0.38	sheet 2 of 4
	0.XX									±0.25	
	0.XXX	±0.13									
ISO 1302	angular	0°	±2°								

A

B

C

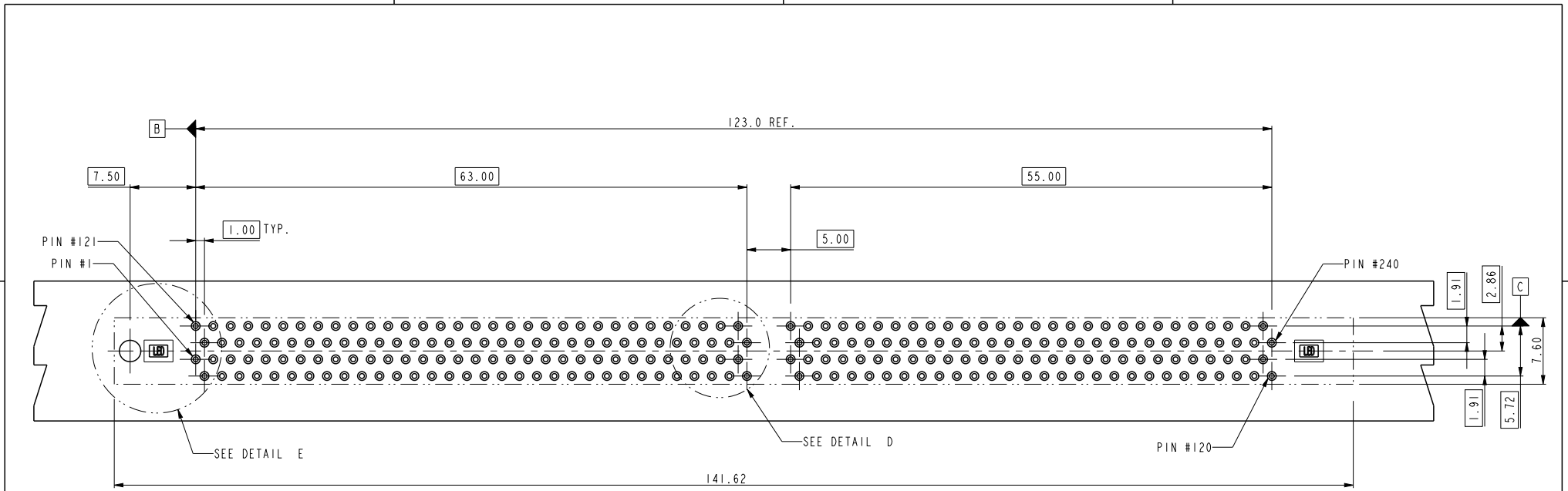
D

A

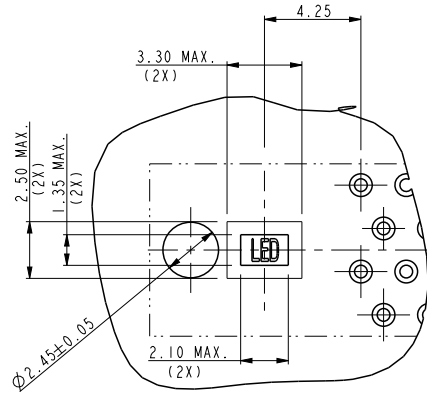
B

C

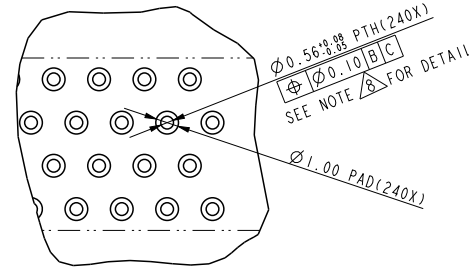
D



RECOMMEND CIRCUIT BOARD HOLE LAYOUT



DETAIL E
SCALE 3.000



DETAIL D
SCALE 3.000

spec ref	*	dr	Rick Bian	2010/07/04	projection	MM ←→	size	A4	scale	0.500
tolerance std	TOLERANCES UNLESS OTHERWISE SPECIFIED	eng	Jeny Ren	2018/01/25			ecn no	ELX-DG-28708-1		
ISO 406 ISO 1101		chr	-	-			rel level	Released		
surface	linear	appr	Nickor Zuo	2018/01/29	product family	rev	10083950			
ISO 1302		angular	0°	±2°	title	cat. no.	*	Product - Customer Drw	sheet 3 of 4	
			Amphenol FCi	DDR II 240P PRESS-FIT LOWER LATCH						

10083950-□ □ □ □

STYLE: MECHANICAL KEYING

1 : 1.8 VOLT

REVISE

0

TAIL LENGTH

CODE	DIM. "D"
0	3.30
1	3.70
2	4.20

PLATING

CODE	CONTACT	TAIL AREA	UNDERPLATE	CODE	CONTACT	TAIL AREA	UNDERPLATE
2	15u"(0.38um) MIN. GOLD	35u"~100u" Tin PLATING	50u"(1.27um) MIN. NICKEL OVERALL	2B	15u"(0.38um) MIN. GOLD	35u"~100u" Tin/Lead PLATING	50u"(1.27um) MIN. NICKEL OVERALL
3	30u"(0.76um) MIN. GOLD			3B	30u"(0.76um) MIN. GOLD		
4	3u"(0.076um) MIN. GOLD			4B	3u"(0.076um) MIN. GOLD		
6	15u"(0.38um) MIN. GOLD (LUBRICATED)	35u"~100u" Tin PLATING	50u"(1.27um) MIN. NICKEL OVERALL	6B	15u"(0.38um) MIN. GOLD (LUBRICATED)	35u"~100u" Tin/Lead PLATING	50u"(1.27um) MIN. NICKEL OVERALL
7	30u"(0.76um) MIN. GOLD (LUBRICATED)			7B	30u"(0.76um) MIN. GOLD (LUBRICATED)		
8	3u"(0.076um) MIN. GOLD (LUBRICATED)			8B	3u"(0.076um) MIN. GOLD (LUBRICATED)		
2LF	15u"(0.38um) MIN. GOLD	35u"~100u" Tin PLATING	50u"(1.27um) MIN. NICKEL OVERALL	<p>NOTE:</p> <p>1. MATERIAL: HOUSING: HIGH PERFORMANCE RESINS, GLASS FILLED UL94V-0 RATED, COLOR: BLACK. EJECTOR: HIGH PERFORMANCE RESINS, GLASS FILLED UL94V-0 RATED, COLOR: NATURAL. TERMINAL: COPPER ALLOY.</p> <p>2. FCI LOGO TO BE APPROXIMATELY LOCATED AS SHOWN ON PRINT.</p> <p>3. PRODUCT SPECIFICATION: GS-12-273</p> <p>4. CARD THICKNESS APPLIES ACROSS TABS AND INCLUDES PLATING AND / OR METALIZATION.</p> <p>5. 3.00mm MINIMUM APPLIES TO BOTH 4.00mm WIDE NOTCH LENGTH AND COMPONENT KEEPOUT AREA.</p> <p>6. LEADING EDGE OF CONTACT PADS SPECIFIED BY THE KEEP OUT ZONE SHALL BE FREE OF BURRS AND EXTERNAL TIE BARS. FOR OPTIMUM PERFORMANCE, THE TIE BAR IS TO BE ON AN INTERNAL LAYER SO THAT THE REMNANT CANNOT CAUSE CONTACT DAMAGE.</p> <p>7. PACKAGING SPECIFICATION: GS-14-528.</p> <p>8. ALL PTH SHOULD BE 0.66mm DIA DRILLED AND 0.025mm MIN. ELECTRO-DEPOSITED COPPER THK ON THROUGH HOLE WALL.</p> <p>9. THIS PRODUCT MEETS EUROPEAN UNION DIRECTIVES AND OTHER COUNTRY REGULATIONS AS DESCRIBED IN GS-22-008.</p> <p>10. THE HOUSING WILL WITHSTAND EXPOSURE TO 260° PEAK TEMPERATURE FOR 20 SECONDS IN A IR REFLOW OVEN.</p> <p>DATE CODE: X X X X X X</p>			
3LF	30u"(0.76um) MIN. GOLD						
4LF	3u"(0.076um) MIN. GOLD						
6LF	15u"(0.38um) MIN. GOLD (LUBRICATED)	35u"~100u" Tin PLATING	50u"(1.27um) MIN. NICKEL OVERALL				
7LF	30u"(0.76um) MIN. GOLD (LUBRICATED)						
8LF	3u"(0.076um) MIN. GOLD (LUBRICATED)						

COLOR OF HOUSING AN EJECTOR

- 0 : BLACK HOUSING + IVORY EJECTOR
- 1 : BLACK HOUSING + AMBER EJECTOR
- 2 : BLACK HOUSING + BLACK EJECTOR
- 3 : BLUE HOUSING + IVORY EJECTOR
- 4 : BLUE HOUSING + AMBER EJECTOR



dr	Rick Bian	2010/07/04	projection 	MM ←→	size	A4	scale	0.500	
eng	Jeny Ren	2018/01/25			ecn no	ELX-DG-28708-1			
chr	-	-			rel level	Released			
appr	Nickor Zuo	2018/01/29	product family		rev no	10083950		rev	B
Amphenol FCI		DDR II 240P PRESS-FIT LOWER LATCH			cat. no.	* Product - Customer Drw		sheet 4 of 4	