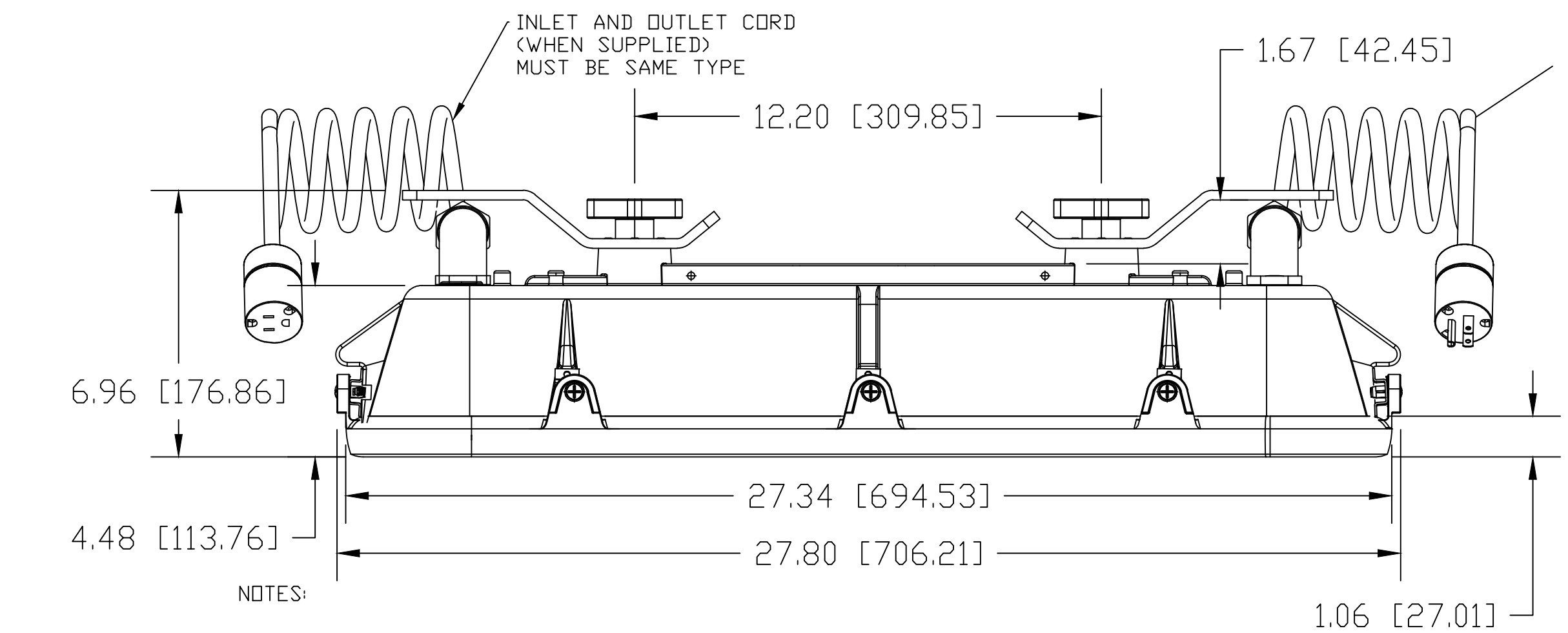
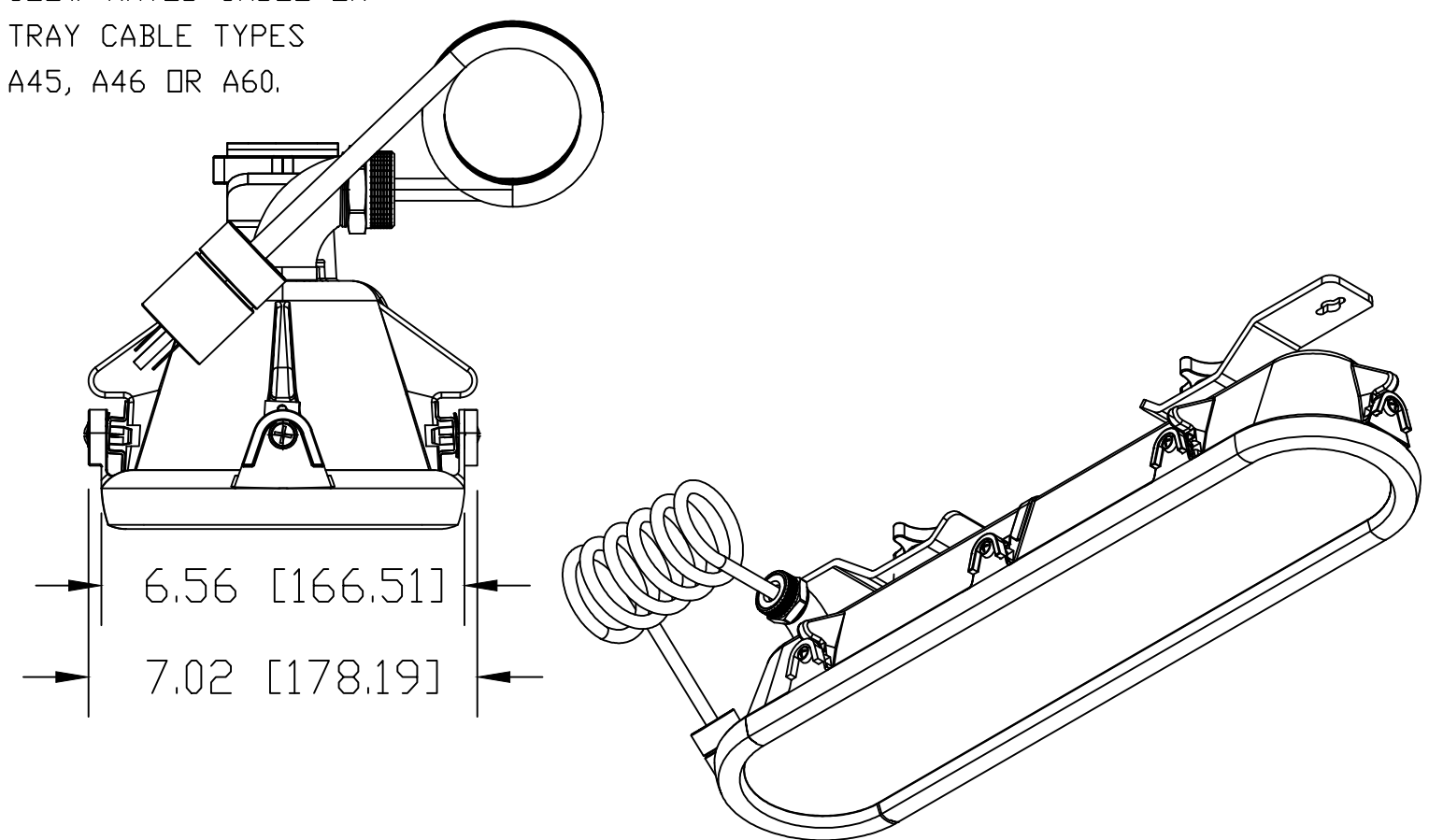


SAP PART #	ENGINEERING PART #	DESCRIPTION
1302430021	1076-HZ25025143	25' #14-3 SDDW, 5-15 WTT PLUG
1302430022	1076-HZ2F003143F003	3' #14-3 SDDW FLYING LEADS
1302430023	1076-HZ2F003123F003	3' #12-3 SDDW FLYING LEADS
1302430024	DELETED	
1302430025	1076-HZ250501435050	50' #14-3 SDDW, 5-15 WTT PLUG/CON.
1302430026	NOT USED	
1302430027	1076-HZ2X025143X025	25' #14-3 SDDW, XP PLUG/CON.
1302430028	1076-HZ2X050143X050	50' #14-3 SDDW, XP PLUG/CON.
1302430029	1076-HZ2X003123X003	3' #12-3 SDDW, XP PLUG/CON.
1302430030	1076-HZ21L19BPC	BRAD MINI-CHANGE 90DEG INPUT
1302430031	1076-HZ2F003123	3' #12-3 SDDW, FLYING INPUT
1302430032	1076-HZ21L1RBPC1L1R	BRAD MINI-CHANGE STRAIGHT IN/OUT
1302430033	1076-HZ2X050143	50' #14-3 SDDW, XP PLUG



CORD (WHEN SUPPLIED) TO BE 3 CONDUCTOR #16-3, #14-3, #12-3 OR #10-3 SDDW RATED CABLE OR TRAY CABLE TYPES A45, A46 OR A60.



NOTES:

1. FIXTURE APPROVED FOR USE IN CLASS I DIVISION II, GROUPS B, C, & D HAZARDOUS LOCATIONS.
2. TEMPERATURE CODE: T4A (120 C)
3. MAXIMUM/MINIMUM AMBIENT TEMPERATURES: +40 C, -40 C.
4. MATERIALS:
 - HOUSING-CAST ALUMINUM
 - LENS-POLYCARBONATE, WATER CLEAR, .125"
 - REFRACTOR-PETG ACRYLIC
 - LENS GASKET-SILICONE, RED
 - DRIVER-ELECTRONIC, RATED 90 C.
 - LEDS- (4) CCT: 5000K, CRI: Ra 80min.
 - LED HOLDER-NYLON PA66 GF
 - REFLECTOR-POLISHED ALUMINUM, ALZAK FINISH.
 - 1/4 TURN FASTENERS-(8) CASE HARDENED STEEL BODY ZINC PLATE WITH BLACK CHROMATE & STAINLESS STEEL SPRING.
5. PRODUCT SPECIFICATION- PS-130243-002

ROTATE CLEATS OUTWARD EC NO: IFC2014-0527 DRWN: PSNAGEL 9/16/13 CH'KD: HKNEELAN APPR: BWOODMAN2013/07/08 REV DESCRIPTION	QUALITY SYMBOL	GENERAL TOLERANCES (UNLESS SPECIFIED)	DIMENSION STYLE MM (INCH)	SCALE NTS	DESIGN UNITS INCH	THIRD ANGLE PROJECTION
	▽ = ∇ = 2	4 PLACES ±--- ±--- 3 PLACES ±--- ±.005 2 PLACES ±0.05 ±--- 1 PLACE ±0.10 ±---	DRAWN BY DATE PSNAGEL 2013/05/14 CHECKED BY DATE HKNEELAN 2013/05/31 APPROVED BY DATE JFMURPHY 2013/07/08	TITLE	SALES DRAWING LED WIDE AREA LIGHT	
		ANGULAR ±.5°	MATERIAL NO.	MOLEX INCORPORATED		SHEET NO. 1 OF 1
		DRAFT WHERE APPLICABLE MUST REMAIN WITHIN DIMENSIONS	SEE CHART	SD-130243-1001		
			THIS DRAWING CONTAINS INFORMATION THAT IS PROPRIETARY TO MOLEX INCORPORATED AND SHOULD NOT BE USED WITHOUT WRITTEN PERMISSION			