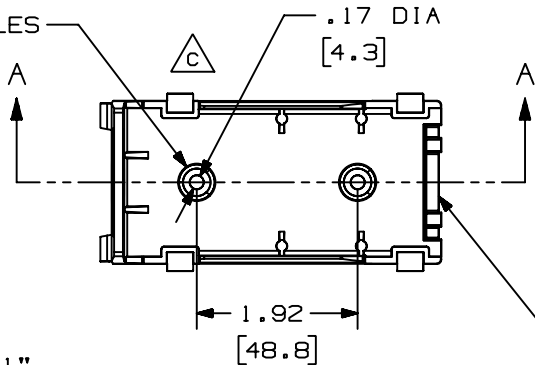


THIS COPY IS PROVIDED ON A RESTRICTED BASIS AND IS NOT TO BE USED IN ANY WAY DETRIMENTAL TO THE INTERESTS OF PANDUIT CORP.

PANDUIT P/N	WEIGHT
DCEFX-X	18.7 LB/100 PCS (8500g/100 PCS)

MOUNTING HOLES
(2 PLACES)



A

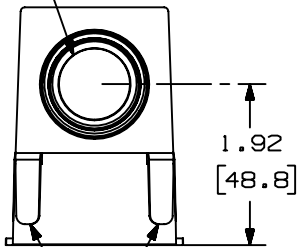
NOTES:

- SEE CURRENT CATALOG FOR ADDITIONAL PART NUMBER SUFFIXES TO INDICATE COLOR AND/OR PACKAGE QUANTITY.
- CAN BE USED WITH VARIOUS TYPES OF PAN-WAY RACEWAYS AND ADAPTERS.
- DIMENSIONS IN PARENTHESES ARE IN METRIC.

B

E

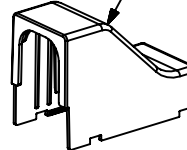
KNOCKOUTS FOR
1/2", 3/4" AND 1"
CONDUIT ENTRIES



SUSPENDED CEILING
HOLDING TABS

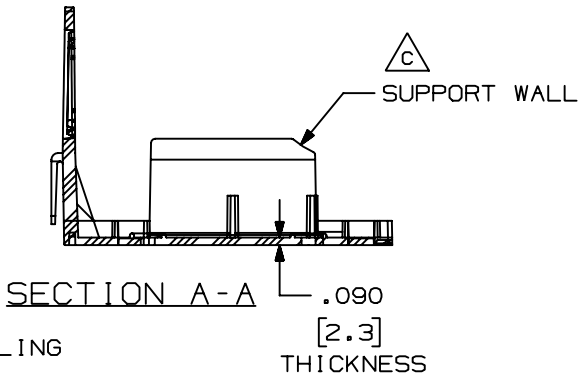
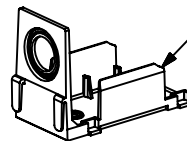
BREAKOUTS FOR
RACEWAY ENTRY

COVER
SEE SHT. 2 OF 2



C

BASE



CAD FILENAME/LAYERS

D35542BA_DCEFX_03

PANDUIT CORP. TINLEY PARK, ILLINOIS
DROP CEILING ENTRANCE FITTING
(DCEFX-X)
CUSTOMER DRAWING

UNLESS OTHERWISE SPECIFIED,
DIMENSIONAL TOLERANCES ARE:
(.X) ± (.XXX) ±.010(.3)
(.XX) ±.03(.8) ANGLES ±

UNLESS OTHERWISE SPECIFIED,
ALL DIMENSIONS ARE GIVEN
IN INCHES, THIRD ANGLE PROJECTION.

DRAWN BY
DW

MAT'L:

SCALE

NONE

DATE
3-26-96

PVC

DRAWING NO.

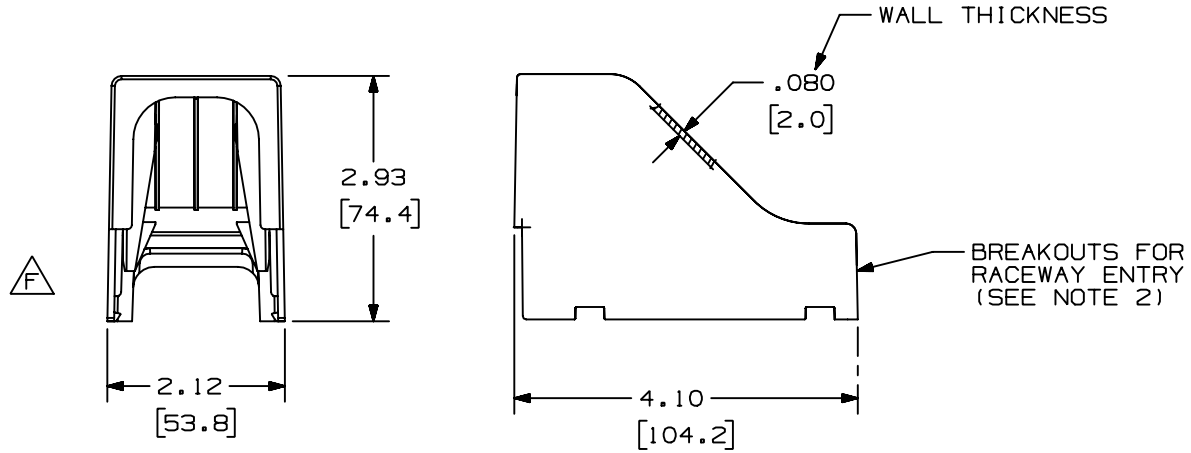
35542-01
SHT 1 OF 2

DWG

A
SIZE

REV	DATE	BY	CHK	DESCRIPTION	ECN	CHK	CUST	SUP
3	1-02-97	RCA	CEF	G. ADDED SEE SHEET 1 OF 2 FOR REVISION ON PAGE 2, REV 2.	35542-01	CEF	CEF	
-	-----	--	---	F. REVISED GEOMETRY - ADDED INTERIOR RIBS E. REVISED EDGE RADIUS	-----	---	---	
2	12-17-96	PM	CEF	D. REVISED WEIGHT C. ADDED SUPPORT WALL	35542-01	CEF	CEF	
1	10-16-96	RCA	CEF	B. CHANGED P/N FROM DCEFX-A TO DCEFX-X. A. REMOVED NOTE 3 AND NOTES RELATING TO ADHESIVE.	35542-01	CEF	CEF	
R	3-26-96	DW	CEF	RELEASED TO PRODUCTION.	35542-01	CEF		

THIS COPY IS PROVIDED ON A RESTRICTED BASIS AND IS NOT TO BE USED IN ANY WAY DETRIMENTAL TO THE INTERESTS OF PANDUIT CORP.



△G

CAD FILENAME/LAYERS D35542BA_DCEFX_03

PANDUIT CORP. TINLEY PARK, ILLINOIS
 DROP CEILING ENTRANCE FITTING
 (DCEFX-X)
 CUSTOMER DRAWING

REV	DATE	BY	CHK	DESCRIPTION	ECN	CHK	CUST	SUP
3	01-02-96	RCA	CEF	FOR REVISIONS SEE SHT 1 OF 2.	35542-01	CEF	CEF	
2	12-17-96	PM	CEF	FOR REVISIONS SEE SHT 1 OF 2.	35542-01	CEF	CEF	
1	10-16-96	RCA	CEF	FOR REVISIONS SEE SHT 1 OF 2.	35542-01	CEF	CEF	
R	03-26-96	DW	CEF	FOR REVISIONS SEE SHT 1 OF 2.	35542-01	CEF	CEF	

UNLESS OTHERWISE SPECIFIED, DIMENSIONAL TOLERANCES ARE: (.X) ± (.XXX) ±.010(.3) (.XX) ±.03(.8) ANGLES ±		UNLESS OTHERWISE SPECIFIED, ALL DIMENSIONS ARE GIVEN IN INCHES, THIRD ANGLE PROJECTION.	
DRAWN BY DW	MAT'L: PVC	SCALE NONE	
DATE 03-26-96		DRAWING NO. 35542-01 SHT 2 OF 2	DWG A SIZE
CHECKED BY CEF			