

φ 172mm

San Ace 172W



DC
Splash Proof Fan 172mm

General Specifications

- Material Frame: Aluminum,
Impeller: Plastics (Flammability: UL94V-1)
- Expected Life Refer to specifications (Indoor, L10:Survival rate: 90% at 60°C,
rated voltage, and continuously run in a free air state)
- Lead Wire ⊕red ⊖black or blue (Sensor) yellow
- Storage Temperature -30°C to +70°C (Non-condensing)

φ 172mm × 51mm (Mass : 890g) **IP 68** **9WE type** **Round type**

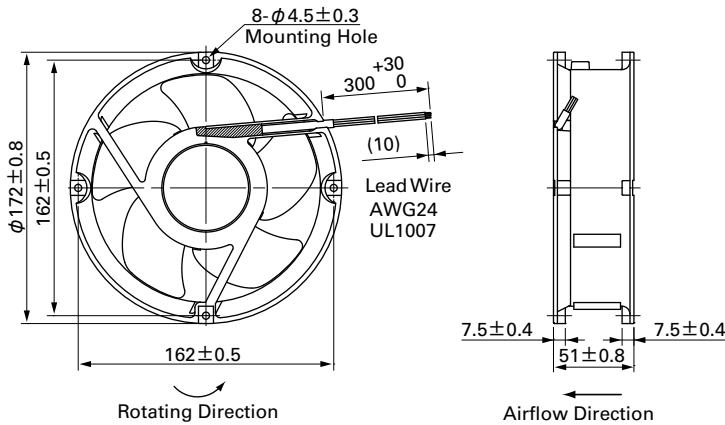
Specifications

The following nos. have pulse sensors.

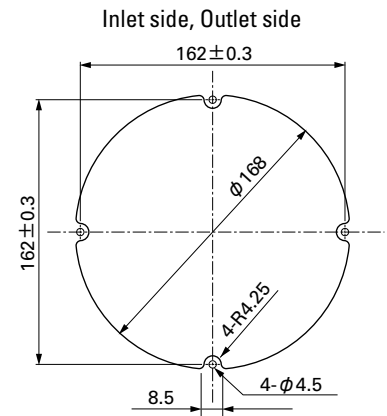
Model No.	Rated Voltage [V]	Operating Voltage Range [V]	Rated Current [A]	Rated Input [W]	Rated Speed [min ⁻¹]	Max. Airflow [m ³ /min] [CFM]	Max. Static Pressure [Pa] [inchH ₂ O]	SPL [dB(A)]	Operating Temperature [°C]	Expected Life [h]
9WE1724K501	24	20.4 to 27.6	1.3	31.2	4,100	8.5 300.1	243 0.97	55	- 20 to + 60	40,000/60°C

Other sensor specifications are available as options. Please refer to the index (p. 511).

Dimensions (unit: mm)



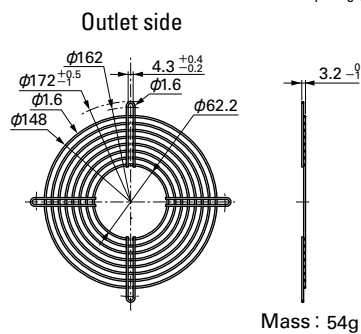
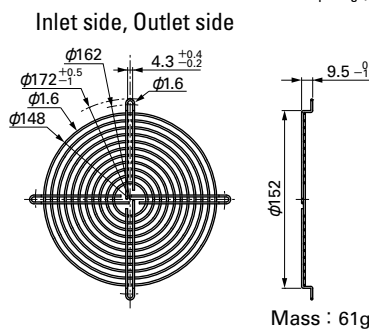
Reference Dimensions of Mounting Holes and Vent Opening (unit: mm)



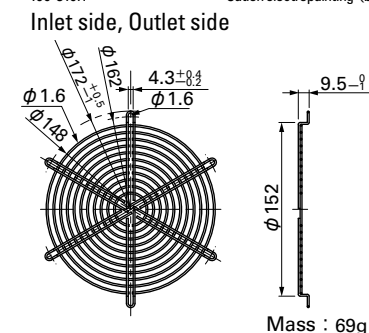
Options (unit: mm)

Finger Guards

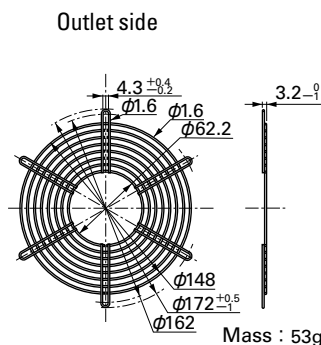
Model : 109-1066 Surface treatment : Nickel-chrome plating (silver) Color : silver
Model : 109-1068 Surface treatment : Nickel-chrome plating (silver) Color : silver



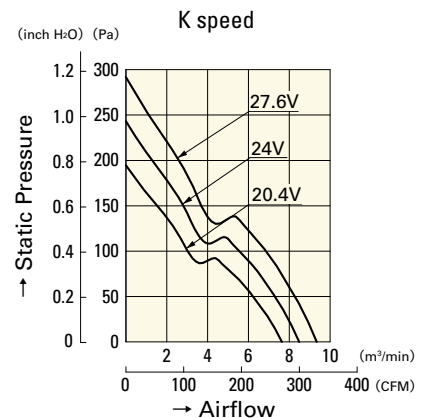
Model : 109-319E Surface treatment : Nickel-chrome plating (silver) Color : silver
Model : 109-319H Surface treatment : Cation electropainting (black) Color : black



Model : 109-320 Surface treatment : Nickel-chrome plating (silver) Color : silver



Airflow - Static Pressure Characteristics



9WE1724K501