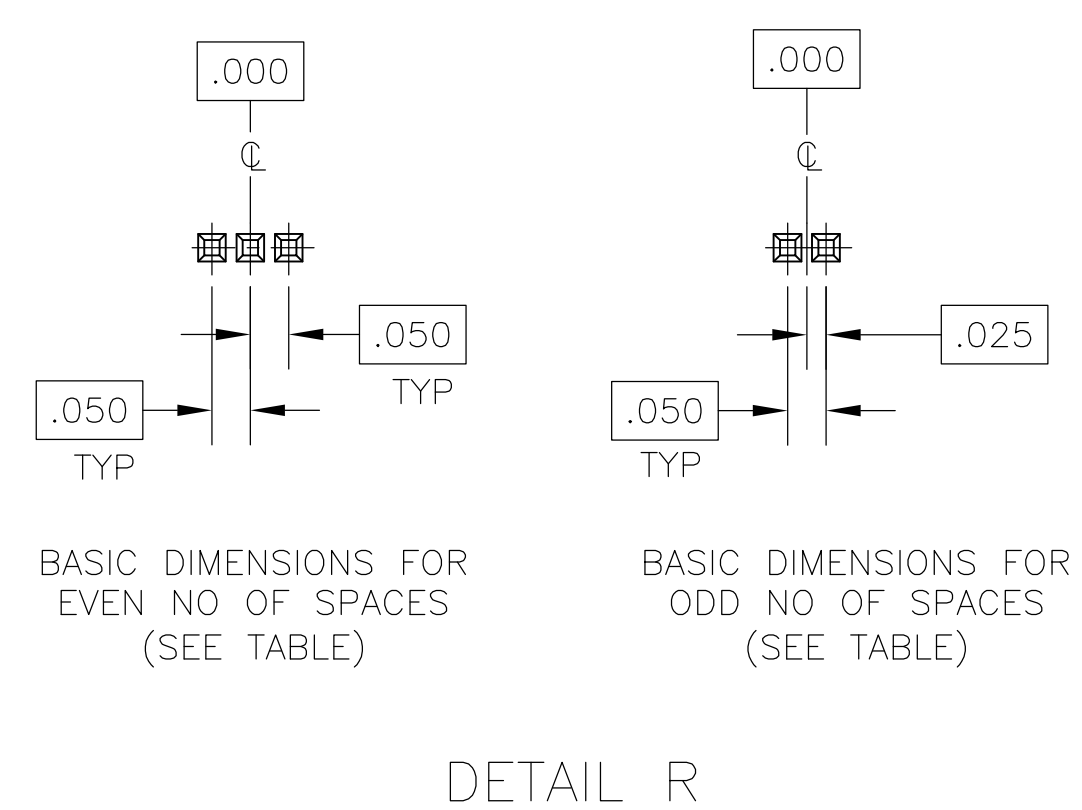
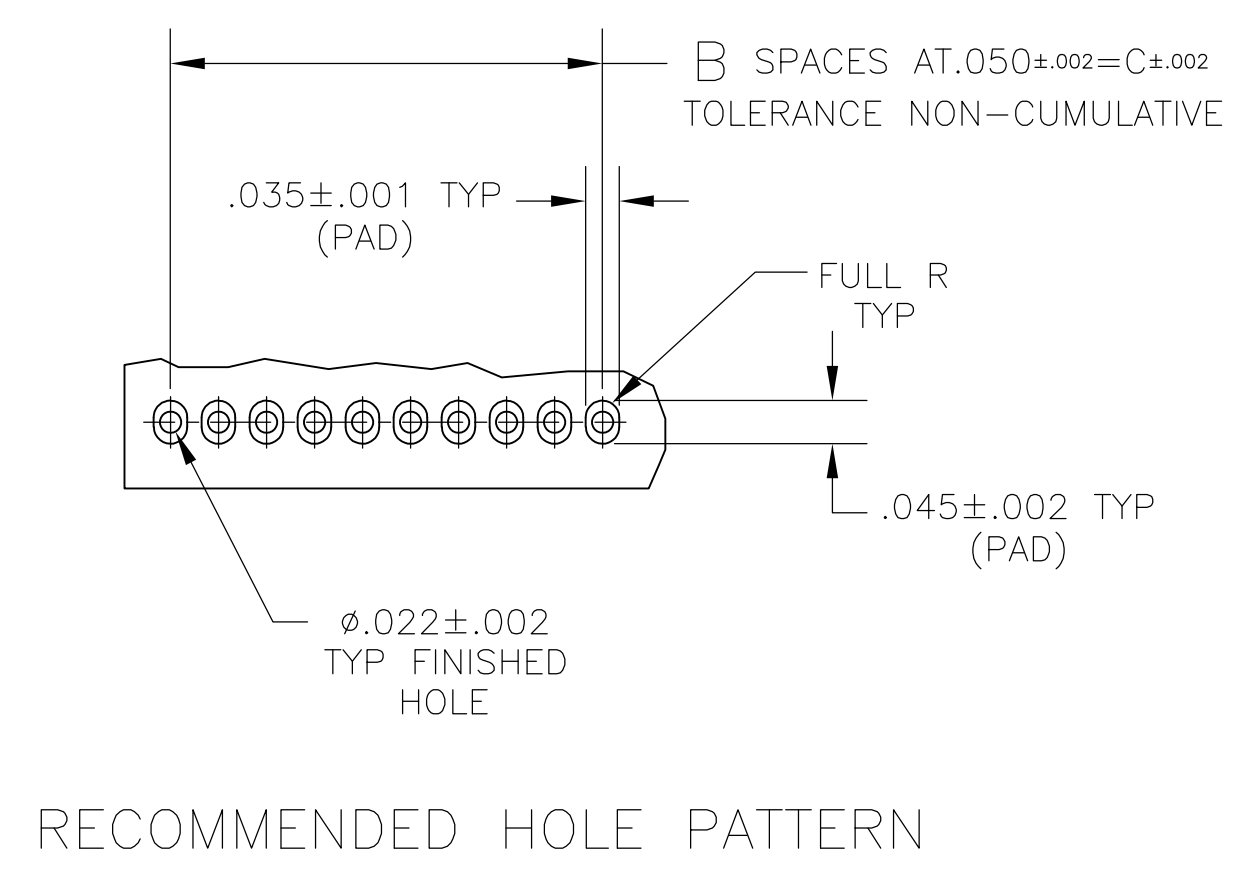


- 1 CONTACT AREAS PLATED WITH .000030 GOLD,SOLDER TAILS PLATED WITH .000150 TIN-LEAD,ALL OVER .000050 NICKEL
- 2 POINT OF MEASUREMENT FOR GOLD THICKNESS IS .030 FROM MATING END OF CONTACT
- 3 PRELIMINARY PART - NOT RELEASED FOR PRODUCTION.
- 4 THE NOTED DIMENSIONS APPLY AT THE INTERSECTION OF THE POST AND HOUSING.
- 5 CONTACT AREAS PLATED WITH .000030 GOLD,SOLDER TAILS PLATED WITH .000150 TIN,ALL OVER .000050 NICKEL
- 6 OBSOLETE PARTS: OBSOLETE CIS STREAMLINING PER D.RENAUD/D.SINISI



6	OBSOLETE	1.250	25	1.344	26	6-104192-0
6	OBSOLETE	.600	13	.694	13	5-104192-9
6	OBSOLETE	.200	4	.294	5	5-104192-8
6	OBSOLETE	1.450	29	1.544	30	5-104192-7
6	OBSOLETE	1.200	24	1.294	25	5-104192-6
6	OBSOLETE	.950	19	1.044	20	5-104192-5
6	OBSOLETE	.700	14	.794	15	5-104192-4
6	OBSOLETE	.550	11	.644	12	5-104192-3
6	OBSOLETE	.450	9	.544	10	5-104192-2
6	OBSOLETE	.350	7	.444	8	5-104192-1
3	OBSOLETE	1.250	25	1.344	26	1-104192-0
1	OBSOLETE	.600	13	.694	13	104192-9
1	OBSOLETE	.200	4	.294	5	104192-8
1	OBSOLETE	1.450	29	1.544	30	104192-7
1	OBSOLETE	1.200	24	1.294	25	104192-6
1	OBSOLETE	.950	19	1.044	20	104192-5
1	OBSOLETE	.700	14	.794	15	104192-4
1	OBSOLETE	.550	11	.644	12	104192-3
1	OBSOLETE	.450	9	.544	10	104192-2
1	OBSOLETE	.350	7	.444	8	104192-1

THIS DRAWING IS A CONTROLLED DOCUMENT.		D. CLOUSER 030CT88		Tyco Electronics Corporation	
DIMENSIONS: INCHES		TOLERANCES UNLESS OTHERWISE SPECIFIED:		Tyco Electronics	
0 PLC ± -		1 PLC ± -		RECEPTACLE ASSEMBLY, VERTICAL, SINGLE ROW, AMPMODU System 50	
1 PLC ± -		2 PLC ± -		108-1093	
2 PLC ± -		3 PLC ± .005		114-25031	
3 PLC ± -		4 PLC ± -		100779	
4 PLC ± -		ANGLES ± -		104192	
MATERIAL: HOUSING: THERMOPLASTIC COLOR: BLACK POST: COPPER ALLOY		FINISH: SEE DETAIL 2		CUSTOMER DRAWING	
SCALE: 4:1		SHEET: 1 OF 1		REV: S1	