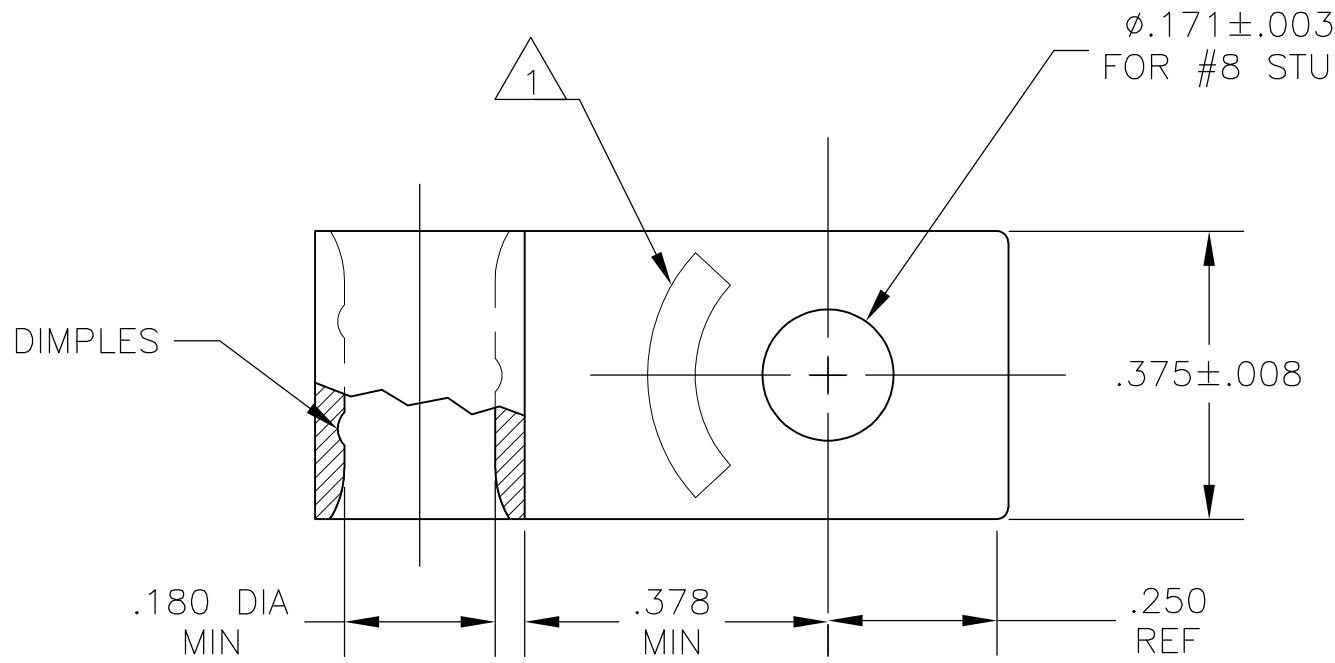


THIS DRAWING IS UNPUBLISHED. RELEASED FOR PUBLICATION  
 © COPYRIGHT BY TYCO ELECTRONICS CORPORATION. ALL INTERNATIONAL RIGHTS RESERVED.

LOC	DIST	REVISIONS			
P	LTR	DESCRIPTION	DATE	DWN	APVD
G	14	A	REVISED PER ECR-09-002143	03FEB09	HMR TM

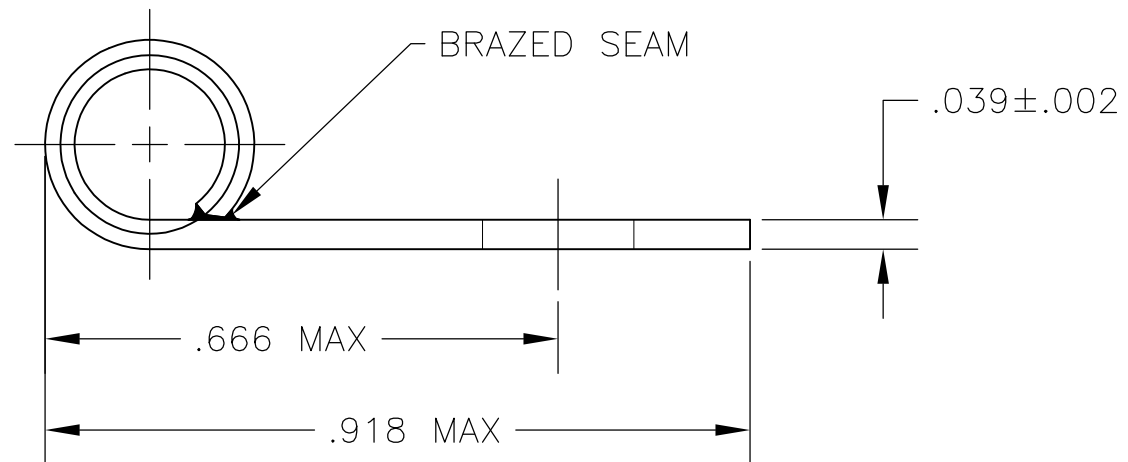
- 1 STAMP AMP 8W\* APPROX AS SHOWN
- 2 COPPER PER ASTM B-152, ANNEALED
- 3 TIN PLATE .000100 MIN THK PER ASTM B-545.



**AMP**  
WIRE RANGE

---

8 AWG  
SOLID OR STRANDED



696717-1  
PART NO

AMP INCORPORATED CUSTOMER SERVICE SYSTEMS		MAX RECOMMENDED OPERATING TEMPERATURE: 170° C	THIS DRAWING IS A CONTROLLED DOCUMENT.		DWN jr_ruth 25SEPT08	Tyco Electronics Corporation Harrisburg, PA 17105-3608	
FOR ADDITIONAL PRODUCT INFORMATION OR COPIES OF DRAWINGS AND TECHNICAL DOCUMENTS	PRODUCT INFORMATION CENTER 1-800-522-6752	VOLTAGE RATING: N/A	DIMENSIONS: INCHES	TOLERANCES UNLESS OTHERWISE SPECIFIED:	CHK TOM MICHIELUTTI 25SEPT08	NAME TERMINAL, RING TONGUE, FLAG, SOLISTRAND	
FOR APPLICATION TOOLING INFORMATION	TOOLING ASSISTANCE CENTER 1-800-722-1111	CIRCULAR MIL AREA: 6.64-10.5mm² [13,100-20,800] SOLID OR STRANDED		0 PLC ± - 1 PLC ± - 2 PLC ± - 3 PLC ± .008 4 PLC ± - ANGLES ± 1°	APVD TOM MICHIELUTTI 25SEPT08	PRODUCT SPEC	SIZE A3
FOR ORDER ENTRY	1-800-526-5142	THIS DRAWING IS A CONTROLLED DOCUMENT FOR AMP INCORPORATED. IT IS SUBJECT TO CHANGE AND THE CONTROLLING ENGINEERING ORGANIZATION SHOULD BE CONTACTED FOR THE LATEST REVISION.	MATERIAL	FINISH	APPLICATION SPEC	WEIGHT	CAGE CODE 00779
			2	3	CUSTOMER DRAWING	DRAWING NO G-696717	RESTRICTED TO
					SCALE 4:1	SHEET 1 OF 1	REV A