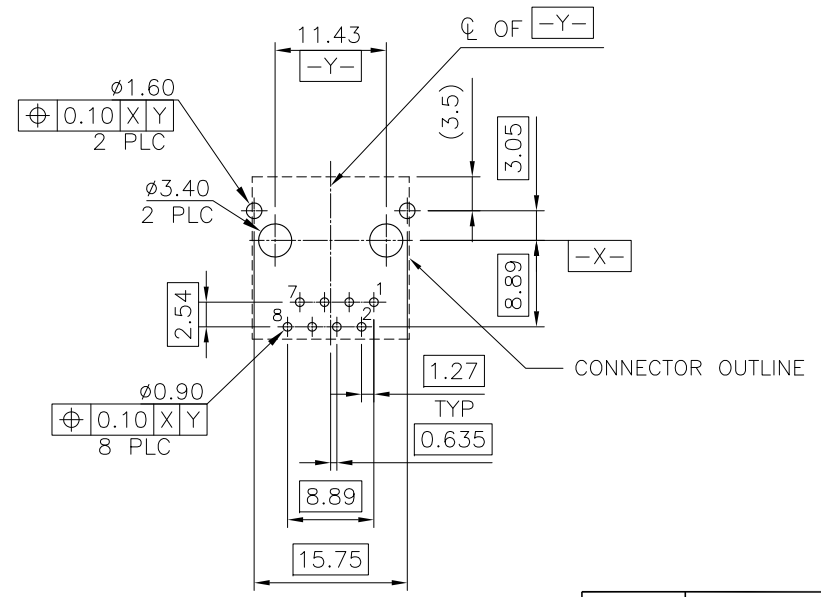
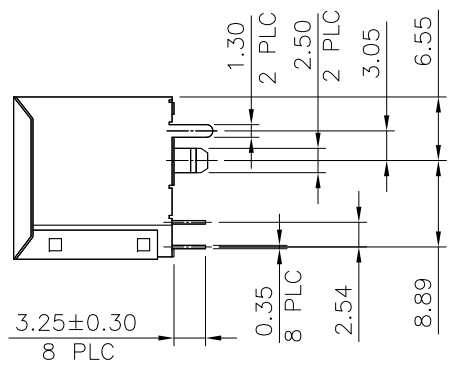
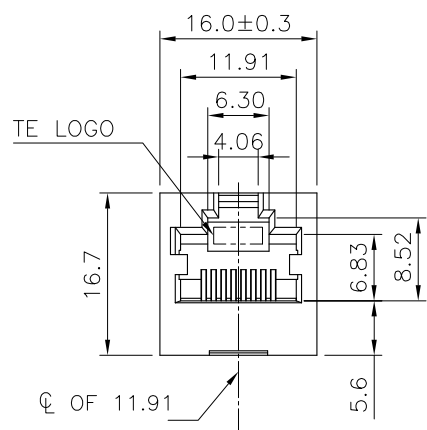
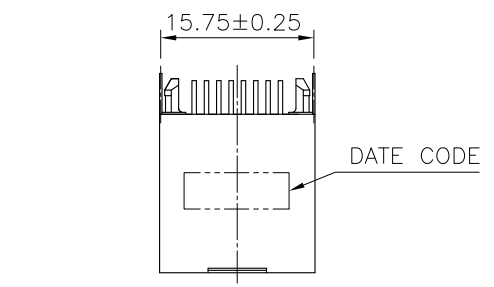


THIS DRAWING IS UNPUBLISHED. RELEASED FOR PUBLICATION AUG ,2006.
 © COPYRIGHT BY TYCO ELECTRONICS CORPORATION. ALL RIGHTS RESERVED.

LOC		DIST		REVISIONS				
P	LTR	DESCRIPTION			DATE	DWN	APVD	
DW	-	B	ECR-12-012115	26OCT12	EL	WK		

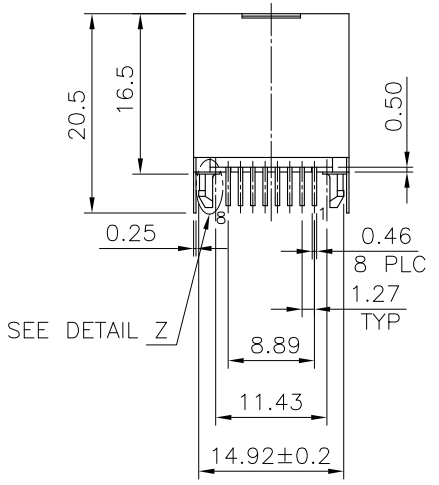
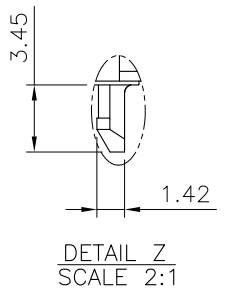
NOTE:

- MATERIAL:
HOUSING: PA46 WITH 30% GF, UL94 V-0, BLACK COLOR.
CONTACTS: PHOSPHOR BRONZE.
SHELL: BRASS.
- FINISH:
CONTACTS: (SEE TABLE) GOLD PLATED ON CONTACT AREA,
GOLD FLASH PLATED ON SOLDER TAIL,
WITH ENTIRE CONTACT UNDERPLATED
1.27µm [50µ"] MIN. NICKEL.
SHELL: 0.508µm [20µ"] MIN. NICKEL PLATED.
- RECOMMENDED PCB THICKNESS: 1.6mm.
- WAVE SOLDER CAPABLE TO 265°C PER 109-202, CONDITION B.



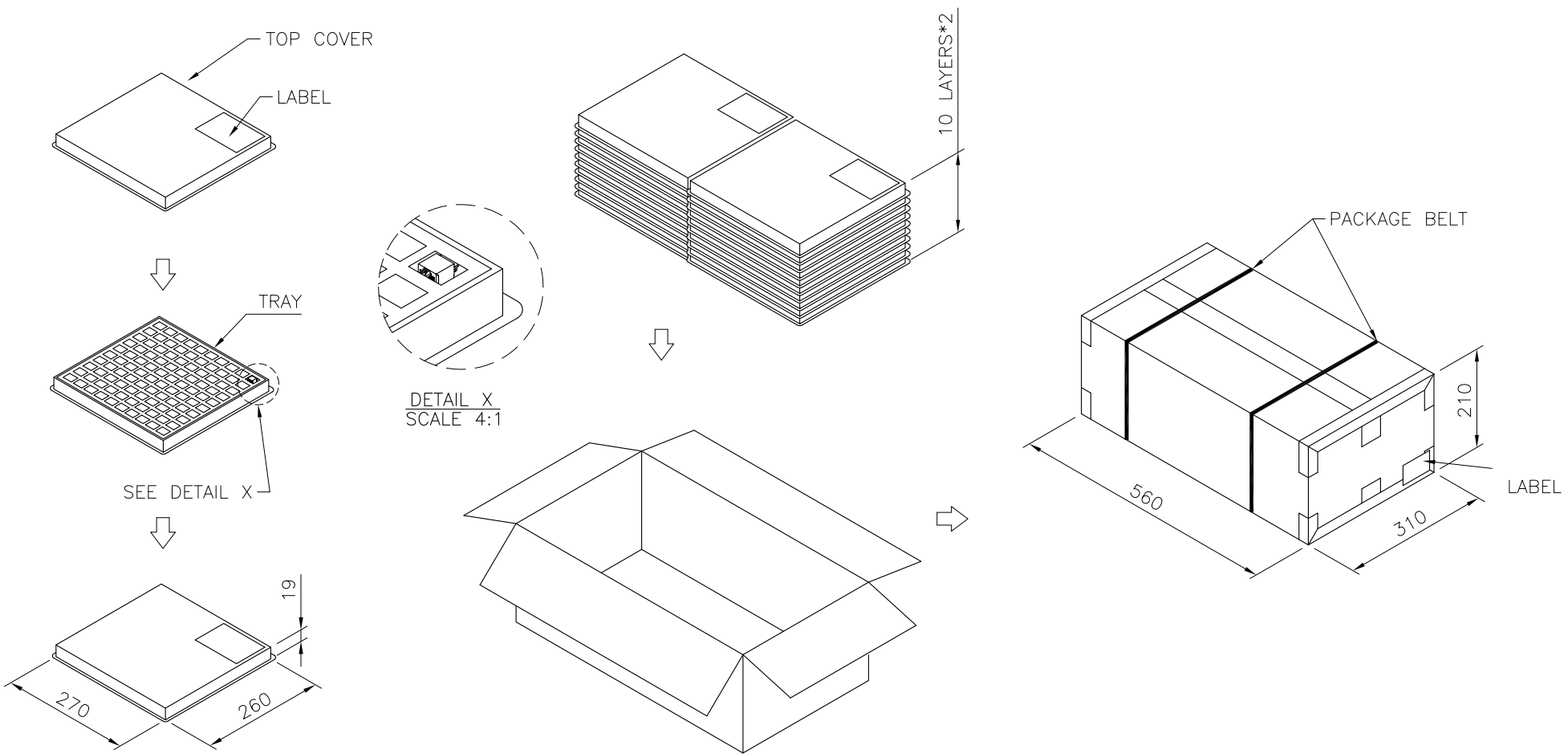
RECOMMENDED PCB LAYOUT
 TOLERANCE: ±0.05 (TOP VIEW)

OBSOLETE	1.27µm [50µ"]	-2041062-4-
	0.762µm [30µ"]	-2041062-3-
	0.381µm [15µ"]	-2041062-2-
	GOLD FLASH	2041062-1
	MIN. GOLD THICKNESS	PART NUMBER



THIS DRAWING IS A CONTROLLED DOCUMENT.		DWN B. HSING	21NOV2008	TE Connectivity	
DIMENSIONS: MM		CHK S. CHIEN	21NOV2008		
TOLERANCES UNLESS OTHERWISE SPECIFIED:		APVD W. KODAMA	21NOV2008	NAME	
0 PLC ± - 1 PLC ± 0.30 2 PLC ± 0.25 3 PLC ± 0.15 4 PLC ANGLES ± - ± -		PRODUCT SPEC		MODULAR JACK, RJ45, VERTICAL, DIP TYPE	
MATERIAL SEE NOTE		APPLICATION SPEC		SIZE	CAGE CODE
FINISH SEE NOTE		WEIGHT		DRAWING NO	RESTRICTED TO
		6.7 GRAMS		A3	00779
		CUSTOMER DRAWING		©=2041062	
		SCALE		SHEET	REV
				1 OF 2	B

LOC	DIST	REVISIONS					
DW	-	P	LTR	DESCRIPTION	DATE	DWN	APVD
				SEE SHEET 1.			



14.9 Kg	13.4 Kg	100	20	2000 PCS
GROSS WEIGHT (Ref.)	NET WEIGHT (Ref.)	PCS/TRAY	TRAYS /BOX	QUANTITY

THIS DRAWING IS A CONTROLLED DOCUMENT.		DWN	STE TE Connectivity		
DIMENSIONS: MM		CHK			
TOLERANCES UNLESS OTHERWISE SPECIFIED:		APVD	NAME		
0 PLC ± -		PRODUCT SPEC	MODULAR JACK, RJ45, VERTICAL, DIP TYPE		
1 PLC ± -		APPLICATION SPEC	SIZE	CAGE CODE	DRAWING NO
2 PLC ± -		WEIGHT	A3	00779	C=2041062
3 PLC ± -		CUSTOMER DRAWING	RESTRICTED TO		-
4 PLC ± -		SCALE	SHEET		2 of 2
ANGLES ± -			REV		B
FINISH					