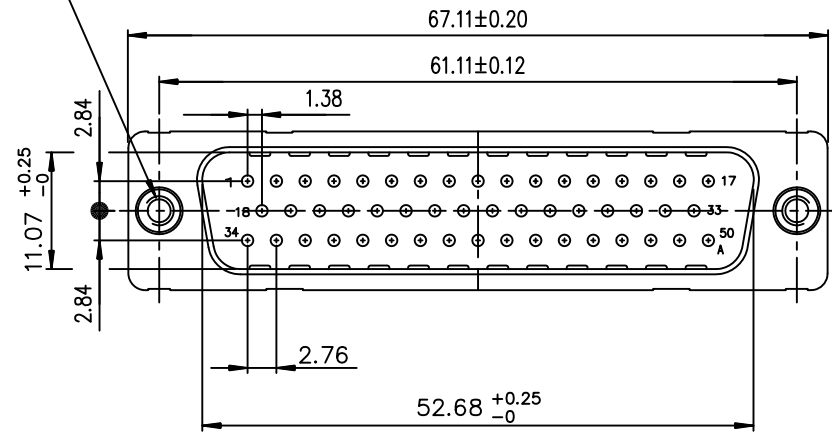
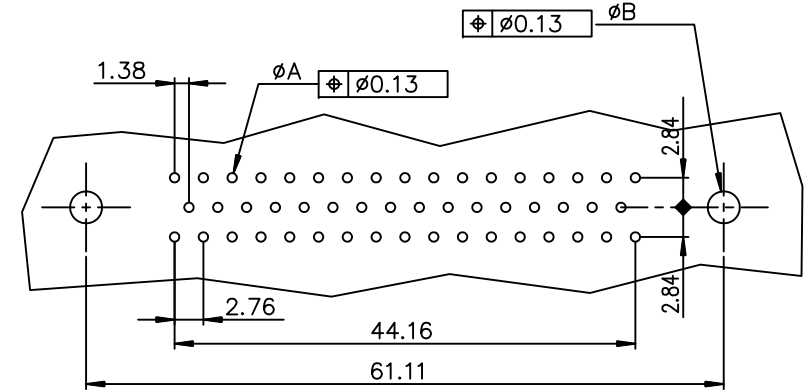
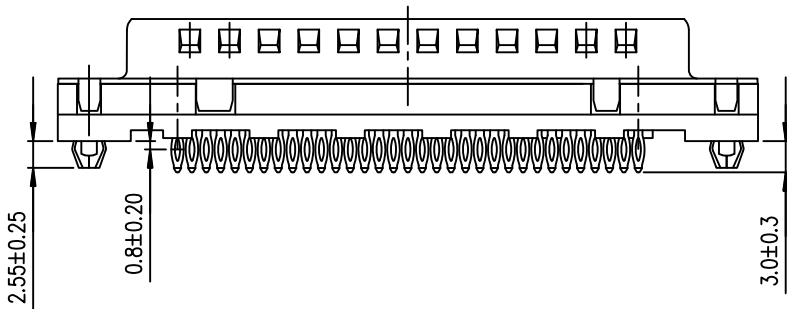


UNC 4-40  
2.80 min  
threaded length



PC board drilling dimensions  
(after plating – thickness: 1.60 to 3.20 mm)



ROHS PART NUMBER

PART NUMBER	
Flash Gold	D50P91C4GX00LF
0.76 μ Gold	D50P91C6GX00LF

GENERAL CHARACTERISTICS AND ROHS INFORMATIONS:  
SEE DRAWING C01-8646-0001

mat'l. code		surface ISO 1302		tolerance ISO 406 ISO 1101		projection		product family D-SUB		
ltr	ecn no	dr	date	tolerances unless otherwise specified		mm		title		
F	ELX-I-21654	AB	2015-10-26	angles	linear	mm		MALE DELTA-D 50 STRAIGHT PRESS-FIT		
G	ELX-I-24020	AAB	2016-06-06	0°±2'	.000±0.1	scale 2:1		dwg no sheet 1 of 1 size		
		dr	PESSON	1995-10-03			Amphenol FCI		C01-8646-0378 A3	
		engr	MITHUN PAUL	2016-06-06					type Product Customer Drawing	
		chr	ATHUL A.B	2016-06-06						
		appd	BIJU K PAUL	2016-06-06						
sheet index	revision	G								
	sheet	1								