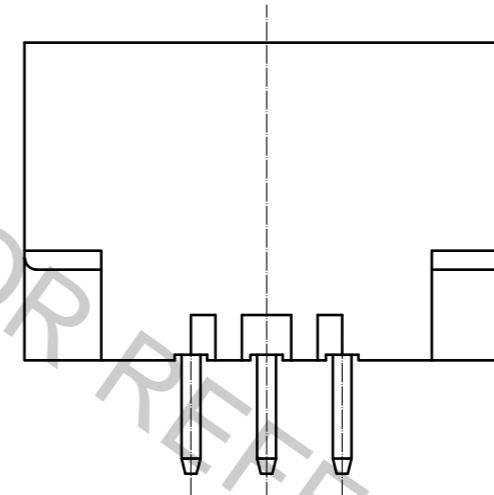
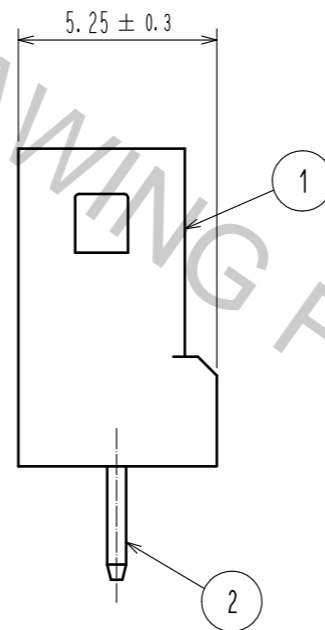
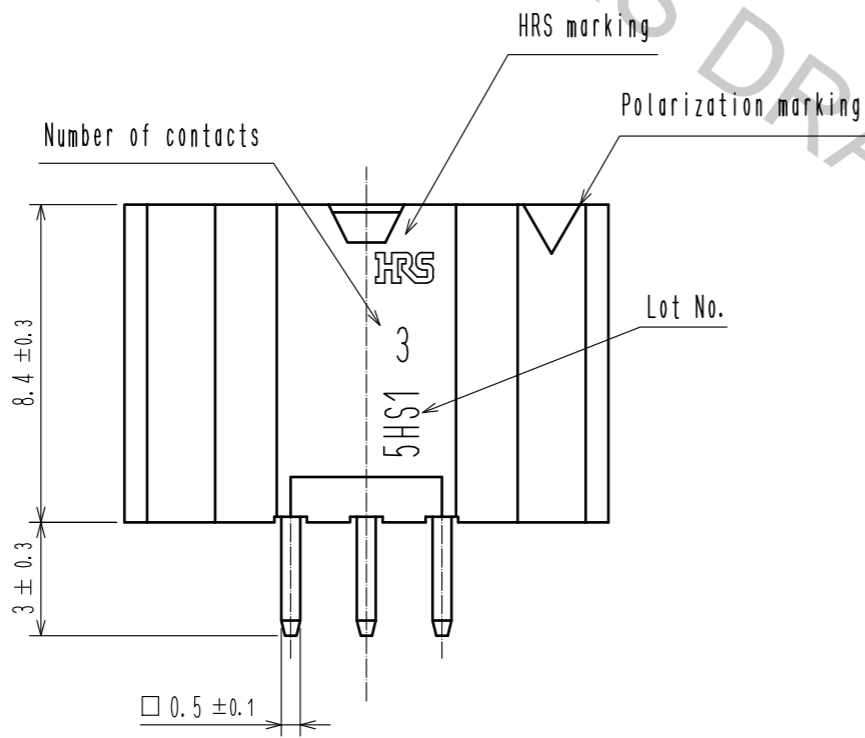
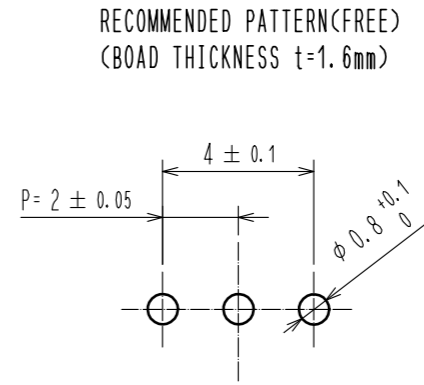
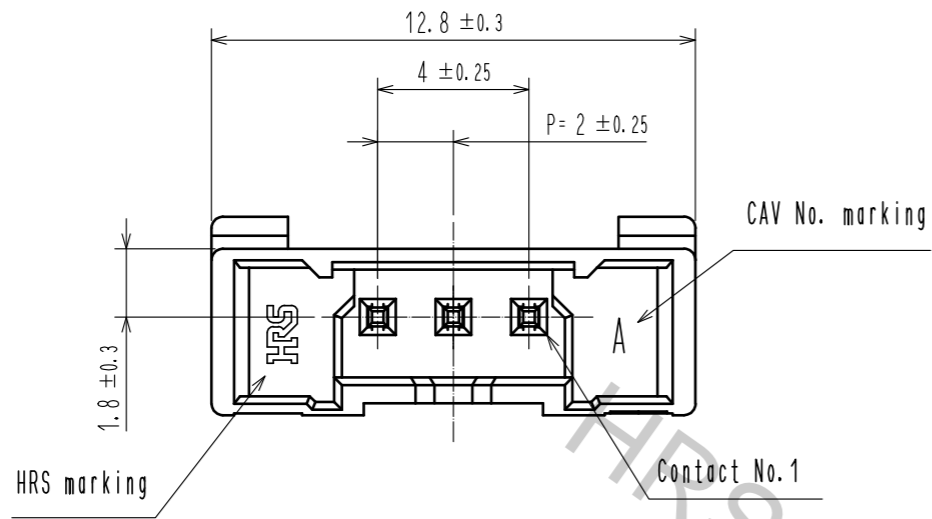
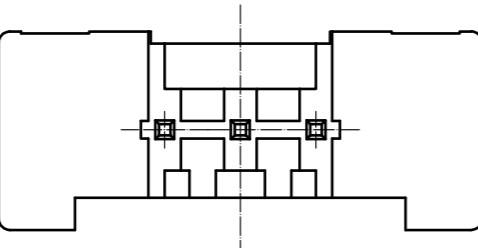
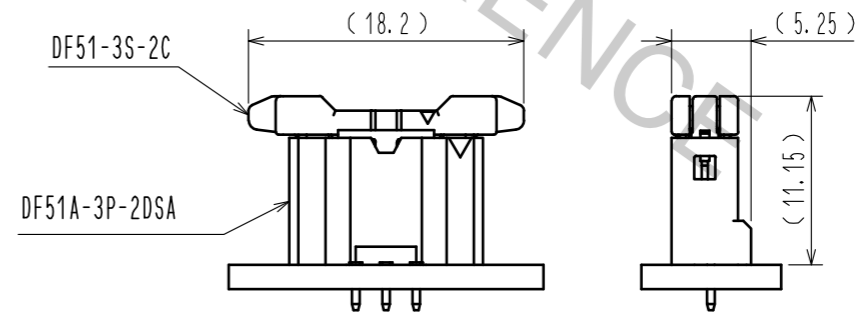


Aug.1.2018 Copyright 2018 HIROSE ELECTRIC CO., LTD. All Rights Reserved.  
 In case that the application demands a high level of reliability, such as automotive,  
 please contact a company representative for further information.



MATING FIGURE (2:1)



Note 1. Per pack : 100 Pieces.  
 2. The dimension parenthesis are for reference.

1	PBT	UL94V-0, BLACK	2	BRASS	SURFACE:Sn PLATING 1μm MIN UNDER PLATING:NICKEL PLATING 0.5μm MIN		
NO.	MATERIAL	FINISH, REMARKS	NO.	MATERIAL	FINISH, REMARKS		
UNITS mm		SCALE 5 : 1	COUNT	DESCRIPTION OF REVISIONS	DESIGNED	CHECKED	DATE
<b>HRS</b>	HIROSE ELECTRIC CO., LTD.	APPROVED : HS. OKAWA	17.10.04	DRAWING NO.	EDC-363915-00-00		
		CHECKED : ST. WADA	17.10.04	PART NO.	DF51A-3P-2DSA		
		DESIGNED : TH. SATO	17.10.04	CODE NO.	CL543-5106-0-00		
		DRAWN : TH. SATO	17.10.04				1/1