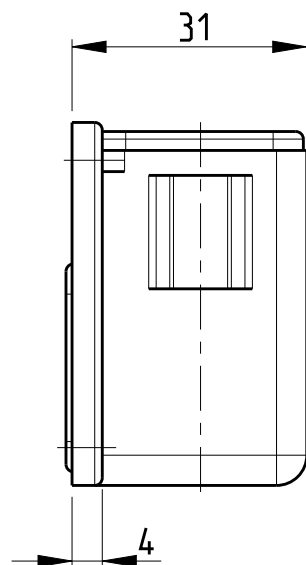
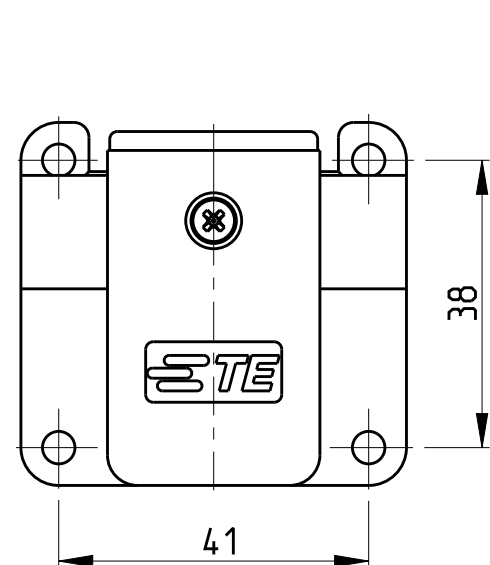


THIS DRAWING IS UNPUBLISHED. RELEASED FOR PUBLICATION 2009
 © COPYRIGHT 2009 BY - ALL RIGHTS RESERVED.

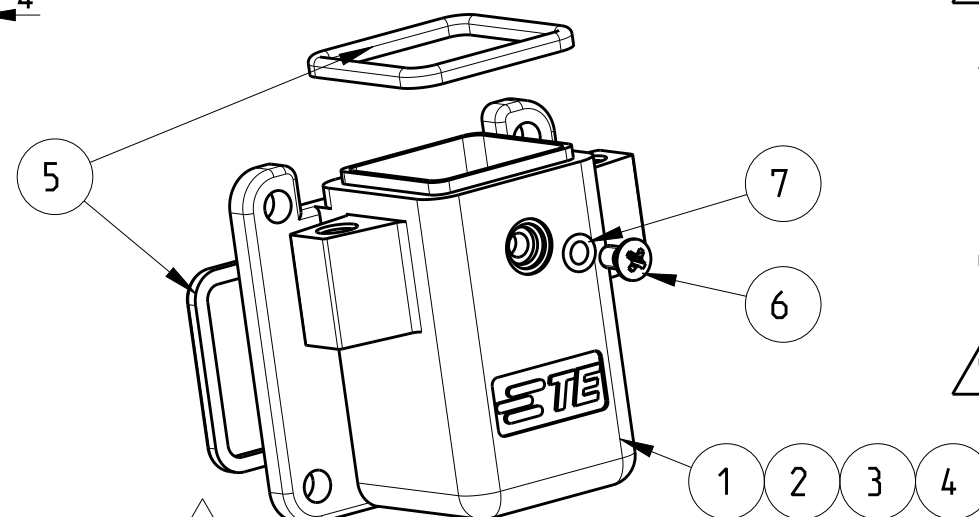
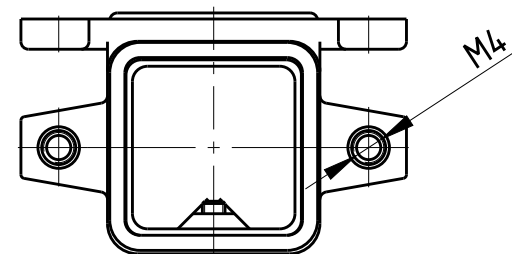
REVISIONS					
P	LTR	DESCRIPTION	DATE	DWN	APVD
	A6	ECR-09-023155	22OCT2009	VG	AR
	A7	REVISED PER ECO-09-024717	06NOV09	KK	AEG
	B	ECR-16-001983	18MAY2016	GCM	JB

Notes

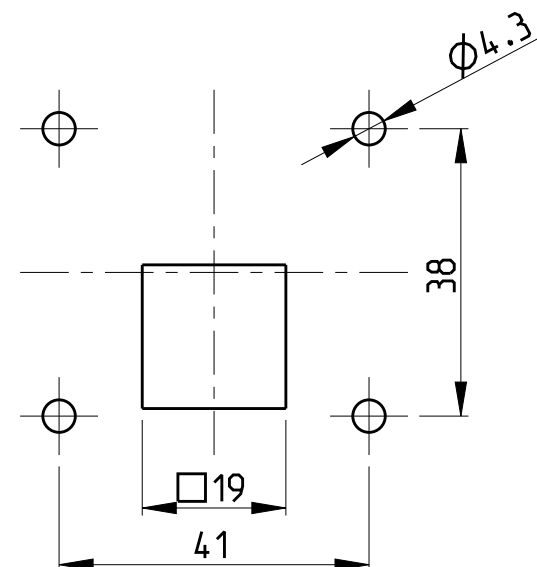
- 1 SUITABLE HOUSINGS: SERIES HIP, SIZE 1
CUSTOMER DRAWING 1102600, 1106408, 1106200
- 2 STANDARDS:
DIN EN 61984, DIN EN 60664-1
- 3 PN 0-3 WITHOUT PROFILE SEAL ON CONNECTING SIDE
- 4 TOOL:
PHILLIPS SCREWDRIVER PH1.
- 5 VARNISH ON INSIDE AREA NOT NECESSARY
- 6 PACKAGING:
10 SETS IN A CARTON.
- 7 OBSOLETE PARTS: OBSOLETE CIS STREAMLINING PER D.RENAUD/D.SINISI



PN 1-5 AS SHOWN



PANEL-CUT-OUT



PN/QTY	DESCRIPTION	MATERIAL	COLOR/SURFACE	NOTE	ITEM
1	0 - RING	NBR	BLACK	3.0x1.0	7
1	SREW COUNTERSUNK RAISED HEAD	STAINL. STEEL V2A	-	M3x6 PH1 DIN EN ISO 7047	6
1	PROFILE SEAL	FKM	BLACK	SERIES EMV / HIP	5
-	ANGLED BULKHEAD HOUSING	ALU	YELLOW	SERIES HIP-K	3
1	ANGLED BULKHEAD HOUSING	ALU	BLACK	SERIES HIP-K	2
-	ANGLED BULKHEAD HOUSING	ALU	GREY	SERIES HIP	1
0-3					
0-1					
2-5					
1-5					

PART NO.	ORDERING TEXT
0-1102602-3	HIP-K.3/4.SGF.SO
0-1102602-1	HIP-K.3/4.SGF-GELB
2-1102602-5	HIP-K.3/4.SGF
1-1102602-5	HIP.3/4.SGF

THIS DRAWING IS A CONTROLLED DOCUMENT.		DWN V.GLUMM 19AUG2009	TE Connectivity	
DIMENSIONS: mm		CHK H.Braun 19AUG2009		
TOLERANCES UNLESS OTHERWISE SPECIFIED:		APVD T.Schnurfeil 19AUG2009		
0 PLC ± 1 PLC ± 2 PLC ± 3 PLC ± 4 PLC ± ANGLES ±1°		PRODUCT SPEC -		
MATERIAL -		FINISH -	NAME ANGLD BULKHEAD HOUSING ASS'Y BOTTOM ENTRY, SERIES HIP, SIZE 1	
CUSTOMER DRAWING		WEIGHT -	SIZE A3	CAGE CODE 00779
			DRAWING NO C-1102602	RESTRICTED TO -
			SCALE 1:1	SHEET 1 OF 1
				REV B