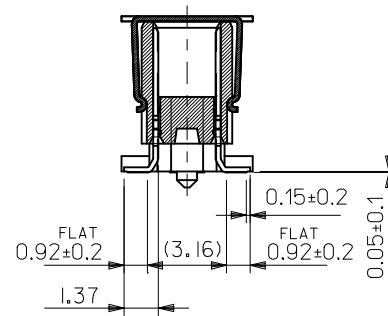
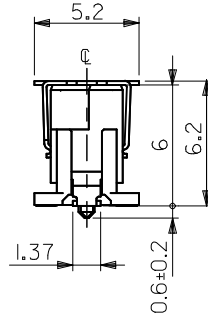
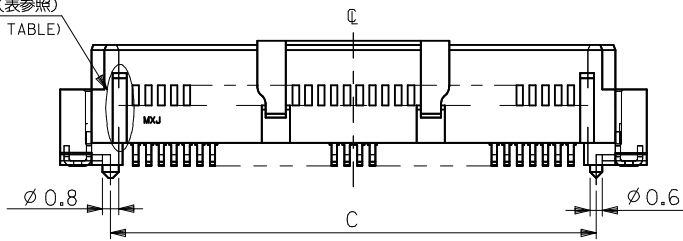


ハウジングロック (表参照)
HS'G LOCK (SEE TABLE)



半田付け部詳細図
DETAIL FOR SOLDERING AREA

注)
NOTES

- 材質
MATERIAL
ハウジング: ガラス入りPPS、茶色、UL94V-0
HOUSING: G.F, PPS, BROWN, UL94V-0
ターミナル: 銅合金 (t=0.2)
TERMINAL: COPPER ALLOY
補強金具: 銅合金 (t=0.25)
FITTING NAIL: COPPER ALLOY
吸着カバー: ステンレス (t=0.2)
VACUUM COVER: STAINLESS STEEL
- メッキ仕様
PLATING
ターミナル: 接点部 : 金メッキ 0.25 μmMIN.
TERMINAL: CONTACT AREA: GOLD 0.25 MICROMETER MIN.
半田付け部: 錫メッキ 1.0 μmMIN.
SOLDER TAIL AREA: TIN 1.0 MICROMETER MIN.
下地メッキ: ニッケルメッキ 1.5 μmMIN.
UNDER-PLATING: NICKEL 1.5 MICROMETER MIN.
補強金具: 錫メッキ 1.0 μmMIN.
FITTING NAIL: TIN 1.0 MICROMETER MIN.
下地メッキ: ニッケルメッキ 1.0 μmMIN.
UNDER-PLATING: NICKEL 1.0 MICROMETER MIN.

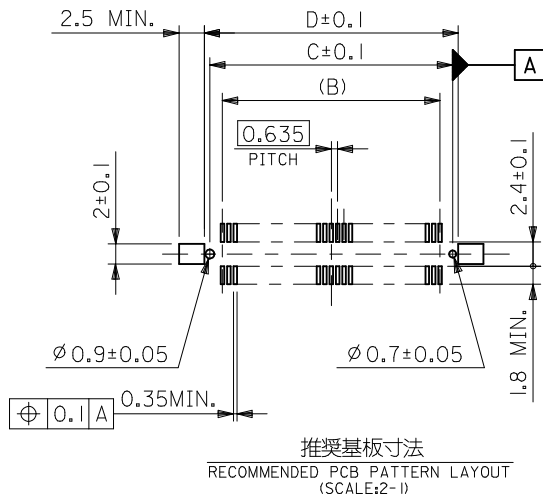
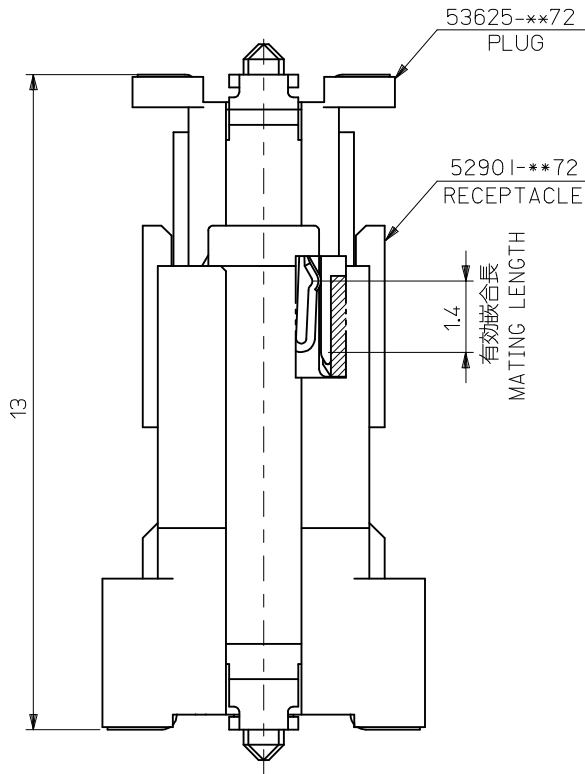
- テールのバラッキ寸法
TAIL COPLANARITY
テール平坦度は、0.1 MAX.とする。
TAILS COPLANARITY TO BE 0.1MAX.
- エンボス対応済みの極数については、SD-53625-003を参照下さい。
FOR THE EMBOSSED PACKAGE PRODUCTS, SEE SD-53625-003.
- 本製品は53625-***2の鉛フリー品である。
THIS PRODUCT IS LEAD FREE OF 53625-***2.

WITHOUT HSG LOCK	79.17	78.07	75.565	83.07	53625-2474	240
WITHOUT HSG LOCK	53.77	52.67	50.165	57.67	53625-1674	160
WITHOUT HSG LOCK	47.42	46.32	43.815	51.32	53625-1474	140
WITHOUT HSG LOCK	41.07	39.97	37.465	44.97	53625-1274	120
WITHOUT HSG LOCK	31.55	30.45	27.94	35.45	53625-0974	90
WITHOUT HSG LOCK	28.37	27.27	24.765	32.27	53625-0874	80
WITH HSG LOCK	18.85	17.75	15.24	22.75	53625-0574	50
WITH HSG LOCK	15.67	14.57	12.065	19.57	53625-0474	40
WITH HSG LOCK	12.5	11.4	8.89	16.4	53625-0374	30

EMBOSSED TAPE PACKAGE 極数
ORDER NO. CIRCUITS

CONNECTOR SERIES No. : 53625-***72

REVISED EC NO: J2015-1093 DRWN: YSATO06 2015/02/23 CHKD: RTAKEUCHI 2015/02/25 APPR: KMORIKAWA 2015/02/25	GENERAL TOLERANCES (UNLESS SPECIFIED)		DIMENSION STYLE MM ONLY		SCALE ---	DESIGN UNITS METRIC	THIRD ANGLE PROJECTION
	0.25 UNDER	UNDER	±0.03	DRAWN BY YWADA	DATE 2004/05/14	TITLE 0.635 B/B CONN.PLUG HS'G COVER ASS'Y	
	0.25 OVER	0.5 UNDER	±0.05	CHECKED BY MSASAO	DATE 2004/05/14	MATERIAL NO. DOCUMENT NO.	
	0.5 OVER	1.0 UNDER	±0.1	APPROVED BY MSASAO	DATE 2004/05/14	SHEET NO. 1 OF 2	
	1.0 OVER	10 UNDER	±0.2	SEE CHART		SD-53625-002	
	30 OVER	±0.3	DRAFT WHERE APPLICABLE MUST REMAIN WITHIN DIMENSIONS		THIS DRAWING CONTAINS INFORMATION THAT IS PROPRIETARY TO MOLEX INCORPORATED AND SHOULD NOT BE USED WITHOUT WRITTEN PERMISSION		



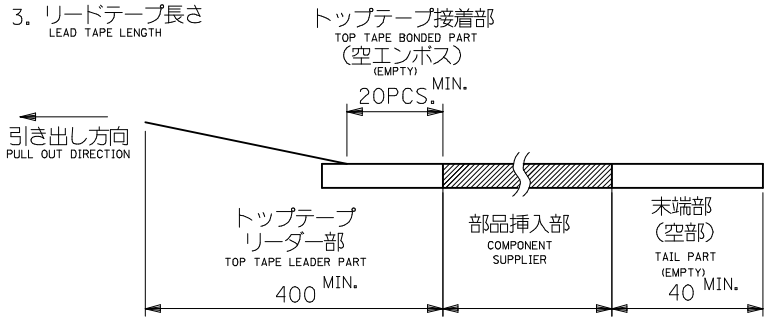
REVISED EC NO: J2015-1093 DRWN: YSATO06 CHKD: RTAKEUCHI APPR: KMORIKAWA	GENERAL TOLERANCES (UNLESS SPECIFIED)			DIMENSION STYLE MM ONLY		SCALE ---	DESIGN UNITS METRIC	THIRD ANGLE PROJECTION
	0.25 UNDER	UNDER	±0.03	DRAWN BY	DATE	TITLE		
	0.25 OVER	0.5 UNDER	±0.05	YWADA	2004/05/14	0.635 B/B CONN.PLUG HS'G COVER ASS'Y		
	0.5 OVER	1.0 UNDER	±0.1	CHECKED BY	DATE			
	1.0 OVER	10 UNDER	±0.2	MSASAO	2004/05/14			
10 OVER	30 UNDER	±0.25	APPROVED BY	DATE				
30 OVER		±0.3	MSASAO	2004/05/14				
ANGULAR	±3 °		MATERIAL NO.		DOCUMENT NO.		SHEET NO.	
DRAFT WHERE APPLICABLE MUST REMAIN WITHIN DIMENSIONS			SEE SHEET 1		SD-53625-002		2 OF 2	
			SIZE A3	THIS DRAWING CONTAINS INFORMATION THAT IS PROPRIETARY TO MOLEX INCORPORATED AND SHOULD NOT BE USED WITHOUT WRITTEN PERMISSION				

注)
NOTES

1. 製品番号 53625-***72 の詳細寸法については、SD-53625-002 を参照下さい。
IN THE PACKAGE, PART NO. 53625-***72 DETAILED DIMENSIONS, SEE SD-53625-002

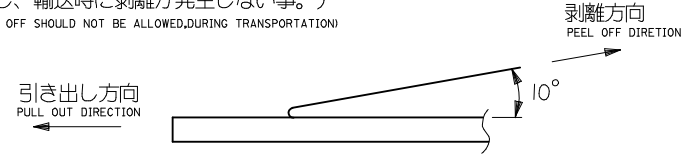
2. 梱包数量 : NUMBER OF CONNECTORS :

CIRCUITS	NUMBER
OTHERS	1000 PCS/REEL
240	800 PCS/REEL



4. トップテープの剥離強度 (剥離方向は下図参照)
PEELING OFF FORCE OF TOP TAPE (PEELING DIRECTION AS SHOWN IN FOLLOWING FIG.)
0.1~1.3N {10~130gf} : キャリアテープ幅 2.4mm~1.04mm
0.1~1.3N(10~130gf) : キャリアテープ幅 24mm~104mm
CARRIER TAPE WIDTH 24mm-104mm

尚、本規格値は、出荷時に適用。
THIS REQUIREMENT SHOULD BE APPLIED AT SHIPMENT
(但し、輸送時に剥離が発生しない事。)
(PEEL OFF SHOULD NOT BE ALLOWED, DURING TRANSPORTATION)



5. 材料 MATERIAL

キャリアテープ : ポリプロピレン (PP)
CARRIER TAPE : POLYPROPYLENE (PP)

トップテープ : PET, PE, PEF
TOP TAPE : PET, PE, PEF

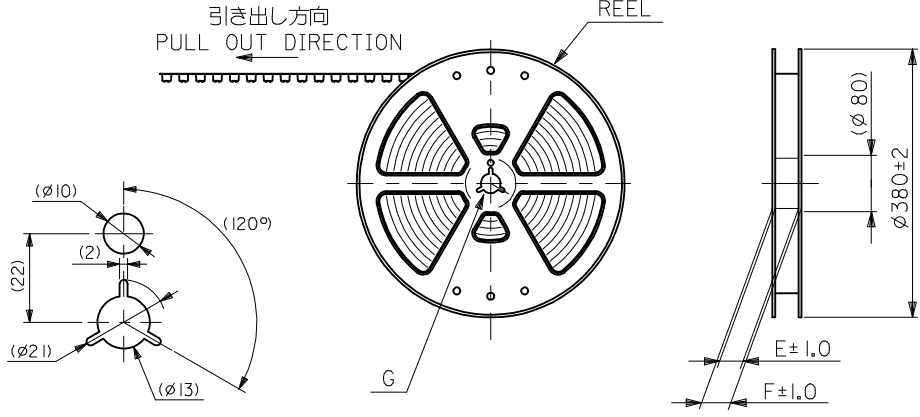
リール : キャリアテープ幅 2.4mm~5.6mm : ポリスチレン
CARRIER TAPE WIDTH 24mm-56mm : POLYSTYRENE

キャリアテープ幅 7.2mm~10.4mm : 紙
CARRIER TAPE WIDTH 72mm-104mm : CARD BOARD

6. 本製品は53625-***4の鉛フリー品である。
THIS PRODUCT IS LEAD FREE OF 53625-***4.

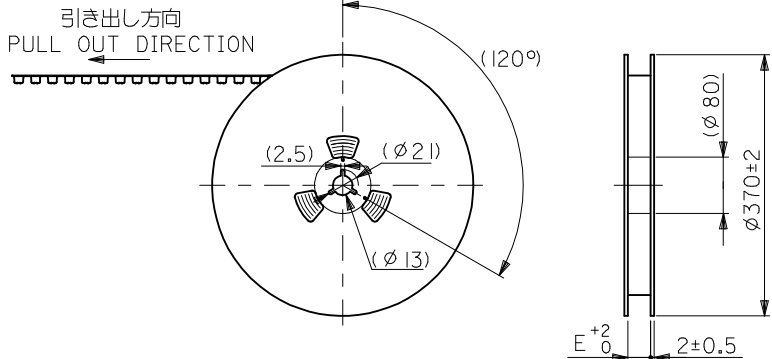
10 9 8 7 6 5 4 3 2 1

F



E

D



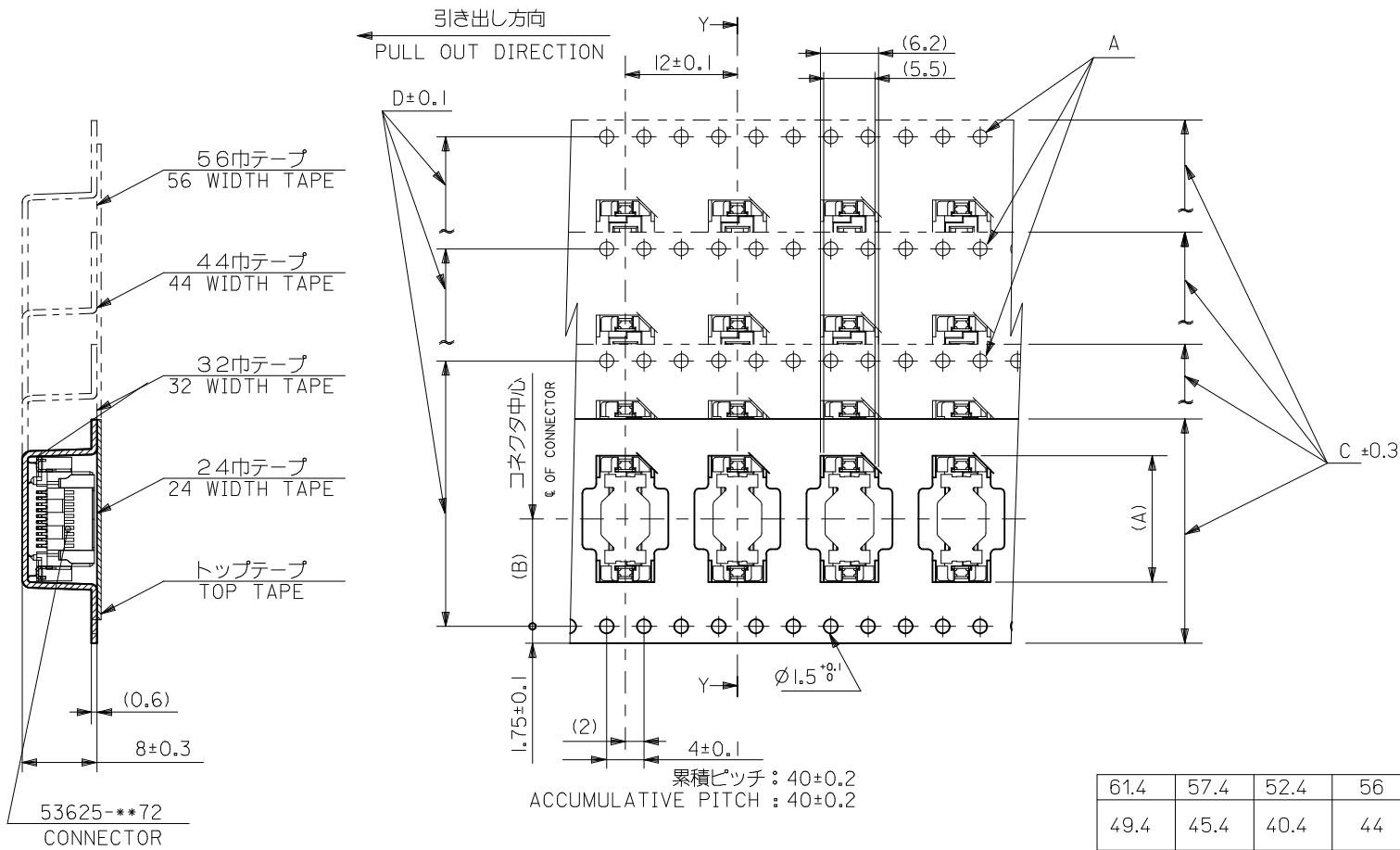
C

B

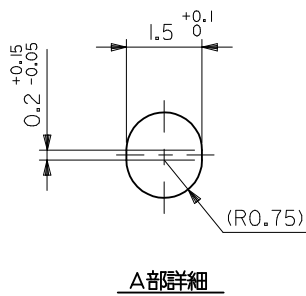
A

REVISED			GENERAL TOLERANCES (UNLESS SPECIFIED)			DIMENSION STYLE		SCALE	DESIGN UNITS	
EC NO.	DRWN.	CHKD.	APPR.	DATE	DATE	DATE	DATE	---	METRIC	THIRD ANGLE PROJECTION
J2015-1093	YSAT006	RTAKEUCHI	KMORIKAWA	2015/02/23	2015/02/25	2015/02/25	2015/02/25			
0.25 UNDER	UNDER	±0.03	DRAWN BY		DATE	TITLE		53625-***72 TAPING PACKAGE		
0.25 OVER	0.5 UNDER	±0.05	YWADA		2004/05/14					
0.5 OVER	1.0 UNDER	±0.1	CHECKED BY		DATE					
1.0 OVER	10 UNDER	±0.20	MSASAO		2004/05/14					
10 OVER	30 UNDER	±0.25	APPROVED BY		DATE			molex		
30 OVER	±0.3	MSASAO		2004/05/14						
ANGULAR	±3 °	MATERIAL NO.		DOCUMENT NO.		SEE SHEET 2		SD-53625-003		SHEET NO.
DRAFT WHERE APPLICABLE MUST REMAIN WITHIN DIMENSIONS			SIZE A3		THIS DRAWING CONTAINS INFORMATION THAT IS PROPRIETARY TO MOLEX INCORPORATED AND SHOULD NOT BE USED WITHOUT WRITTEN PERMISSION					

9 8 7 6 5 4 3 2 1



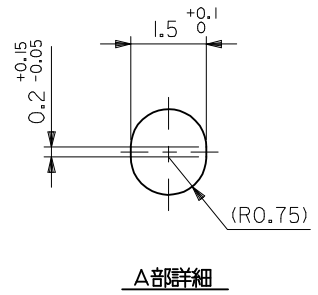
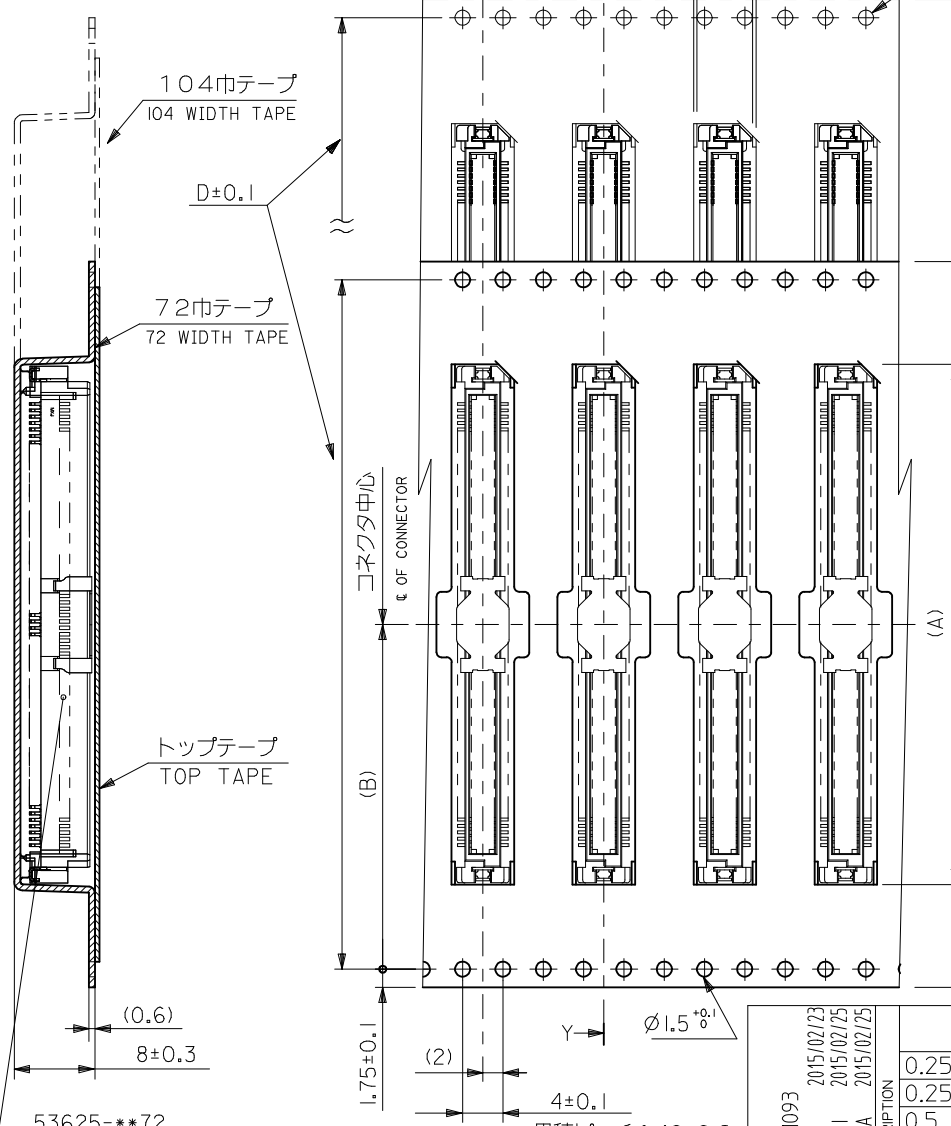
61.4	57.4	52.4	56	26.2	38.9	53625-0974	90
49.4	45.4	40.4	44	20.2	32.6	53625-0874	80
					23.1	53625-0574	50
37.4	33.4	28.4	32	14.2	19.9	53625-0474	40
					16.7	53625-0374	30
F	E	D	C	B	A	MATERIAL NO.	極数 CIRCUITS



REVISED EC NO: J2015-1093 DRWN:YSATO06 2015/02/23 CHK:D.TAKEUCHI 2015/02/25 APPR:KMORIKAWA 2015/02/25	GENERAL TOLERANCES (UNLESS SPECIFIED)		DIMENSION STYLE MM ONLY		SCALE ---	DESIGN UNITS METRIC	THIRD ANGLE PROJECTION	
	0.25 UNDER	UNDER	±0.03	DRAWN BY YWADA	DATE 2004/05/14	TITLE 53625-**72 TAPING PACKAGE		
	0.25 OVER	0.5 UNDER	±0.05	CHECKED BY MSASAO	DATE 2004/05/14	MATERIAL NO. : 53625-**74		
	0.5 OVER	1.0 UNDER	±0.1	APPROVED BY MSASAO	DATE 2004/05/14	DOCUMENT NO. SD-53625-003		
	1.0 OVER	10 UNDER	±0.20	SEE CHART		SHEET NO. 2 OF 3		
	10 OVER	30 UNDER	±0.25	THIS DRAWING CONTAINS INFORMATION THAT IS PROPRIETARY TO MOLEX INCORPORATED AND SHOULD NOT BE USED WITHOUT WRITTEN PERMISSION				
	30 OVER		±0.3					
	ANGULAR	±3 °						
	DRAFT WHERE APPLICABLE MUST REMAIN WITHIN DIMENSIONS							

10 9 8 7 6 5 4 3 2 1

引き出し方向
PULL OUT DIRECTION



53625-**72
CONNECTOR
断面 Y-Y
SECTION Y-Y

累積ピッチ: 40±0.2
ACCUMULATIVE PITCH: 40±0.2

104.4	100.4	104	50.2	83.4	53625-2474	240
				58	53625-1674	160
72.4	68.4	72	34.2	51.6	53625-1474	140
				45.3	53625-1274	120
E	D	C	B	A	MATERIAL NO.	極数 CIRCUITS

REVISED EC NO: J2015-1093 DRWN:YSATO06 2015/02/23 CHKD:RTAKEUCHI 2015/02/25 APPR:KMORIKAWA 2015/02/25	GENERAL TOLERANCES (UNLESS SPECIFIED)		DIMENSION STYLE MM ONLY		SCALE ---		DESIGN UNITS METRIC		THIRD ANGLE PROJECTION	
	0.25 UNDER	UNDER	±0.03	DRAWN BY	DATE	TITLE				
	0.25 OVER	0.5 UNDER	±0.05	YWADA	2004/05/14	53625-**72 TAPING PACKAGE				
	0.5 OVER	1.0 UNDER	±0.1	CHECKED BY	DATE					
	1.0 OVER	10 UNDER	±0.20	MSASAO	2004/05/14	molex				
10 OVER	30 UNDER	±0.25	APPROVED BY	DATE						
30 OVER		±0.3	MSASAO	2004/05/14	MATERIAL NO.		DOCUMENT NO.		SHEET NO.	
ANGULAR ±3 °			SEE CHART		SD-53625-003		3 OF 3			
DRAFT WHERE APPLICABLE MUST REMAIN WITHIN DIMENSIONS			SIZE A3		THIS DRAWING CONTAINS INFORMATION THAT IS PROPRIETARY TO MOLEX INCORPORATED AND SHOULD NOT BE USED WITHOUT WRITTEN PERMISSION					

9 8 7 6 5 4 3 2 1