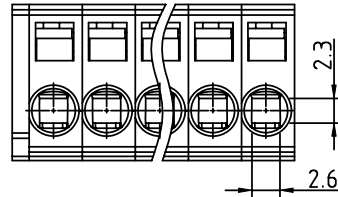
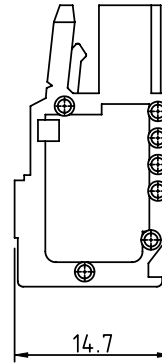
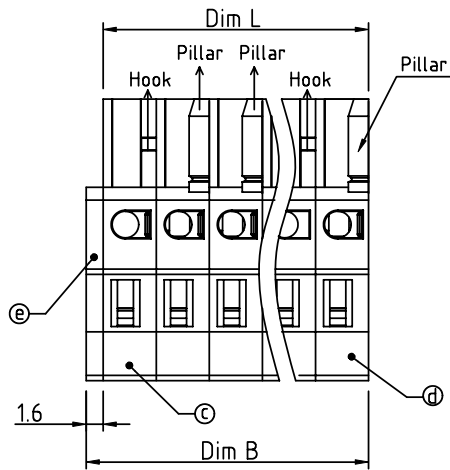
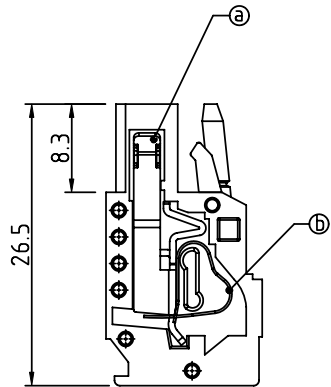
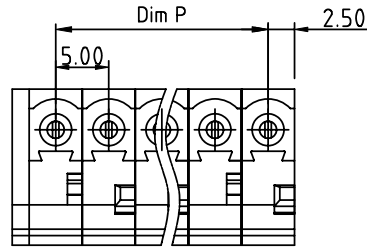


PRODUCT NUMBER	PITCH
Hlxx00x000J0G	5.00 mm



Layout of Hook and Pillar

2P	Hook+Pillar
3P	Hook+Hook+Pillar
4P	Hook+Pillar+Hook+Pillar
5P	Hook+Pillar+Pillar+Hook+Pillar
5P over	Hook+Pillar+...+Pillar+Hook+Pillar

DIMENSION

Dim L=N×5.0
Dim P=(N-1)×5.0
Dim B=N×5.0+1.6

N=Number of poles

Poles	Tolerance
2P	±0.10
3P-6P	±0.15
7P-12P	±0.20
13P-18P	±0.30
19P-24P	±0.40

PART NO.: HI xx 00 x 0 00J0 G

	Color	RoHS compliant
End stackable 0	Black (RAL9005)	(lead<4%)
No. of poles 2	Red (RAL3001/D)	In copper Alloy
02 2 poles 3	Orange(RAL2011/P)	
03 3 poles 4	Yellow(RAL1018/A)	
... .. 5	Green(RAL6018/T)	
24 24 poles 6	Blue (RAL5015/A)	
	8 Grey(RAL7035/D)	
	9 White(RAL1102)	
	C Green(RAL6018/U)	

Material:

- Item①Female contact: PhBz Tin plated
- Item②Spring Clamp: Stainless steel
- Item③Terminal housing (With hook): Thermoplastic (UL94V-0)
- Item④Terminal housing (With Pillar): Thermoplastic (UL94V-0)
- Item⑤Terminal (cover): Thermoplastic (UL94V-0)

Electrical cULus

- Voltage rating:300V
- Current rating:15A (mated with 0Q series)  
8A (mated with NC and NB series)
- Wire range:
  - Solid wire(AWG):12-28
  - Stranded wire(AWG):12-28
  - Wire strip length: 8-9mm
- Withstanding Voltage:1.6KV
- Operating temperature:-40°C to +115°C
- Safety approval: cULus

mat'l. code		surface ASME Y14.5	tolerance ASME Y14.5	projection	product family
ltr	ecn no	dr	date	MM	TERMINAL BLOCK
tolerances unless otherwise specified				MM	title
angles	0	X.±0.5			TERMINAL BLOCK
0	0	X.X±0.3			SPRING CLAMP, PLUGGABLE PLUG
X*±1*	0	X.XX±0.1		scale	
dr	EVIN ZHONG	051414		FCI	dwg no
enr	EVIN ZHONG	051414			sheet 1 of 1
chr	HANKE FENG	051414			size
appd	SHI JUN	051414			A4
sheet index	revision	A			type
	sheet	1			CUSTOMER Drawing