

4

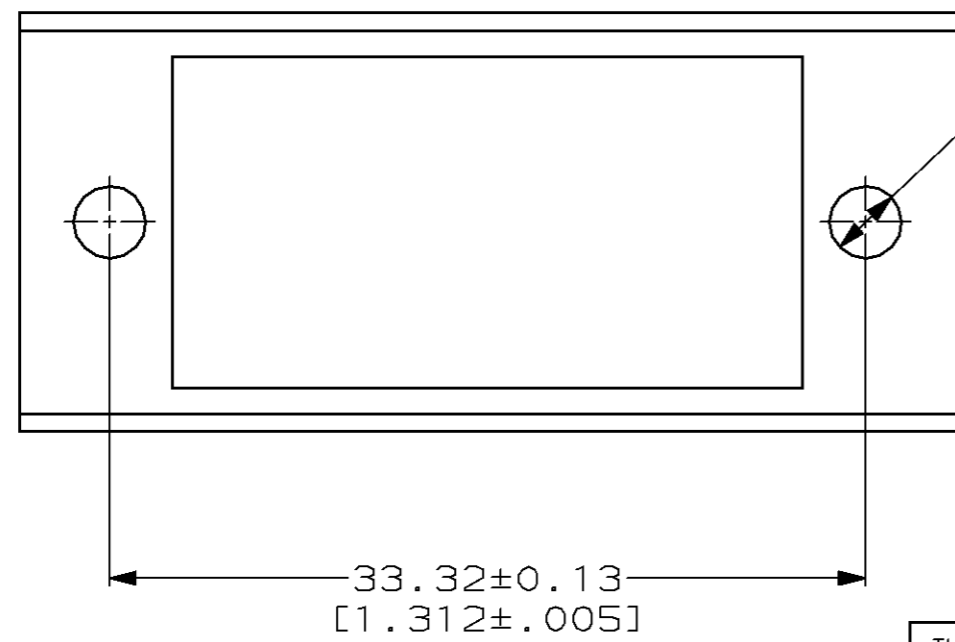
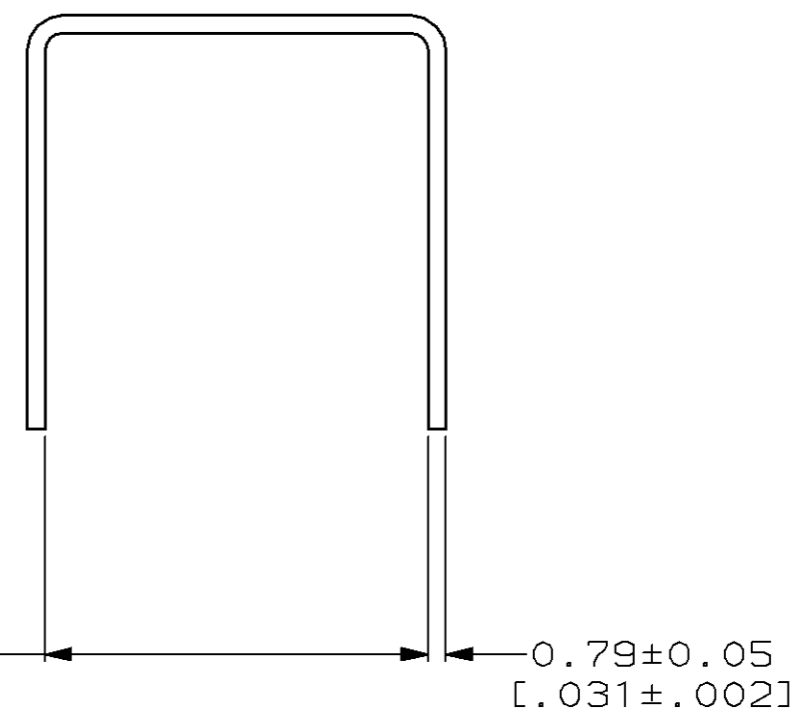
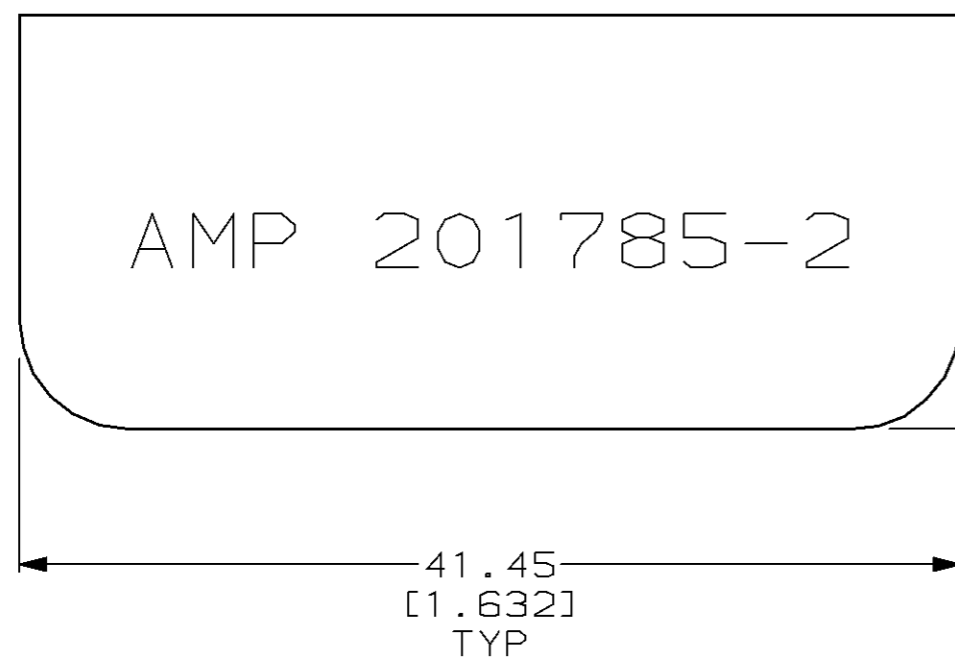
3

2

1

THIS DRAWING IS UNPUBLISHED. RELEASED FOR PUBLICATION ,19 .
 © COPYRIGHT 19 BY AMP INCORPORATED. ALL RIGHTS RESERVED.

LOC	DIST	REVISIONS			
P	LTR	DESCRIPTION	DATE	DWN	APVD
BD	36	F	REDRAWN PER EC 0020-1347-95	16 APR 96	-



△ 5.08µm [.000200] MIN NICKEL PER QQ-N-290.

201785-4
PART NUMBER

THIS DRAWING IS A CONTROLLED DOCUMENT.		DWN C. REIFSNYDER 16 APR 96	AMP AMP Incorporated Harrisburg, PA 17105-3608
DIMENSIONS: mm [INCHES]		CHK R. STONE 24 MAY 96	
TOLERANCES UNLESS OTHERWISE SPECIFIED:		APVD G. STEINHAUER 21 JUN 96	NAME PIN HOOD, 26 PLACE, MINIATURE RECTANGULAR, M SERIES
0 PLC ±-		PRODUCT SPEC	SIZE A3
1 PLC ±-		APPLICATION SPEC	CAGE CODE 00779
2 PLC ±0.38 [.015]		WEIGHT	DRAWING NO C-201785
3 PLC ±-		CUSTOMER DRAWING	SCALE 3:1
4 PLC ±-			SHEET 1 OF 1
ANGLES ±-			REV F
MATERIAL CARBON STEEL	FINISH △		