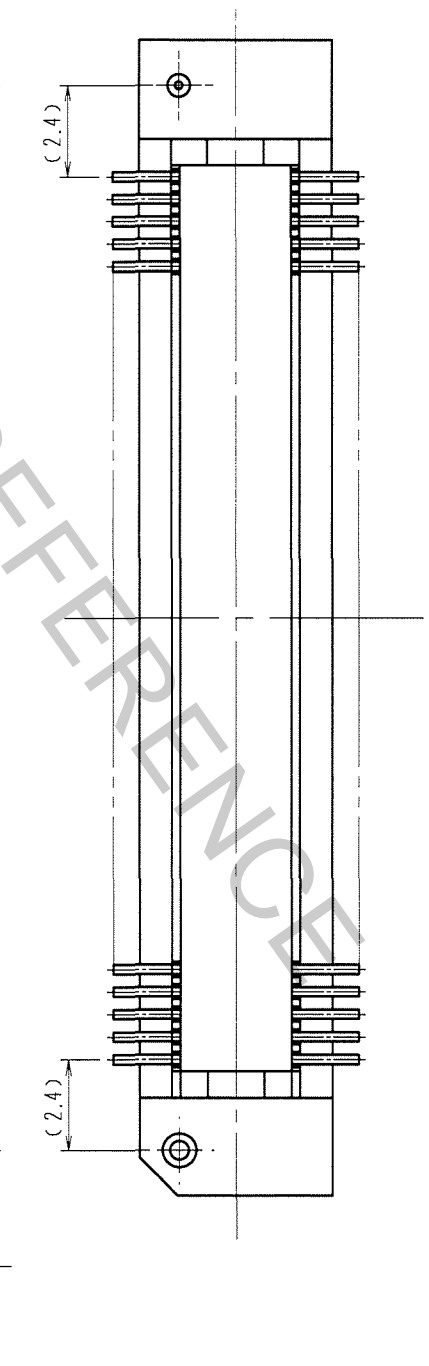
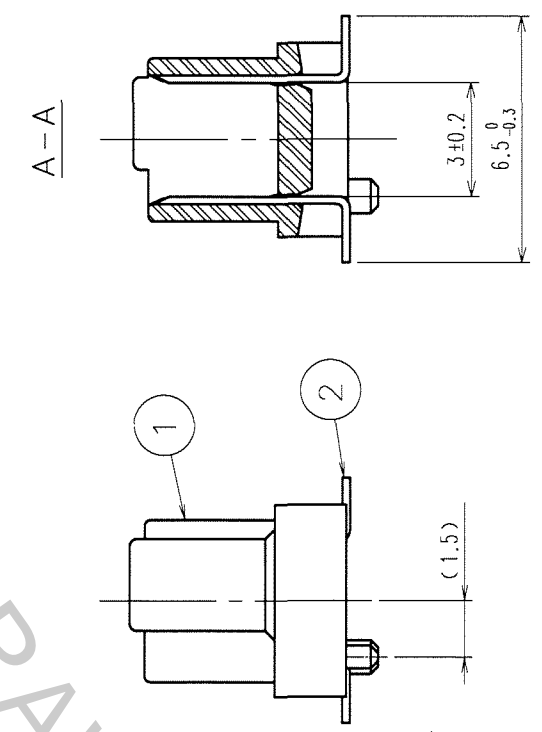
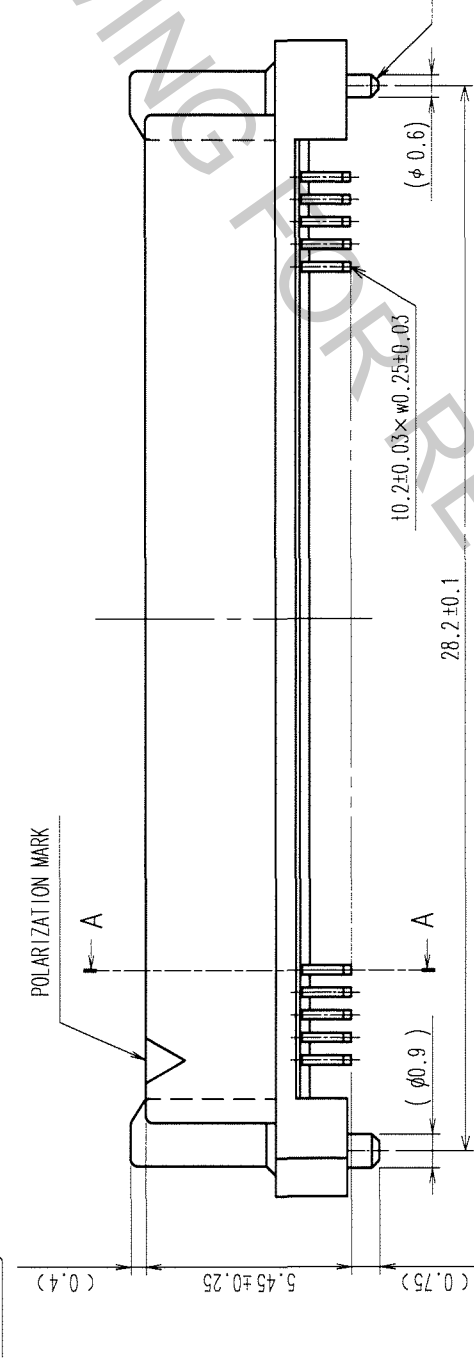
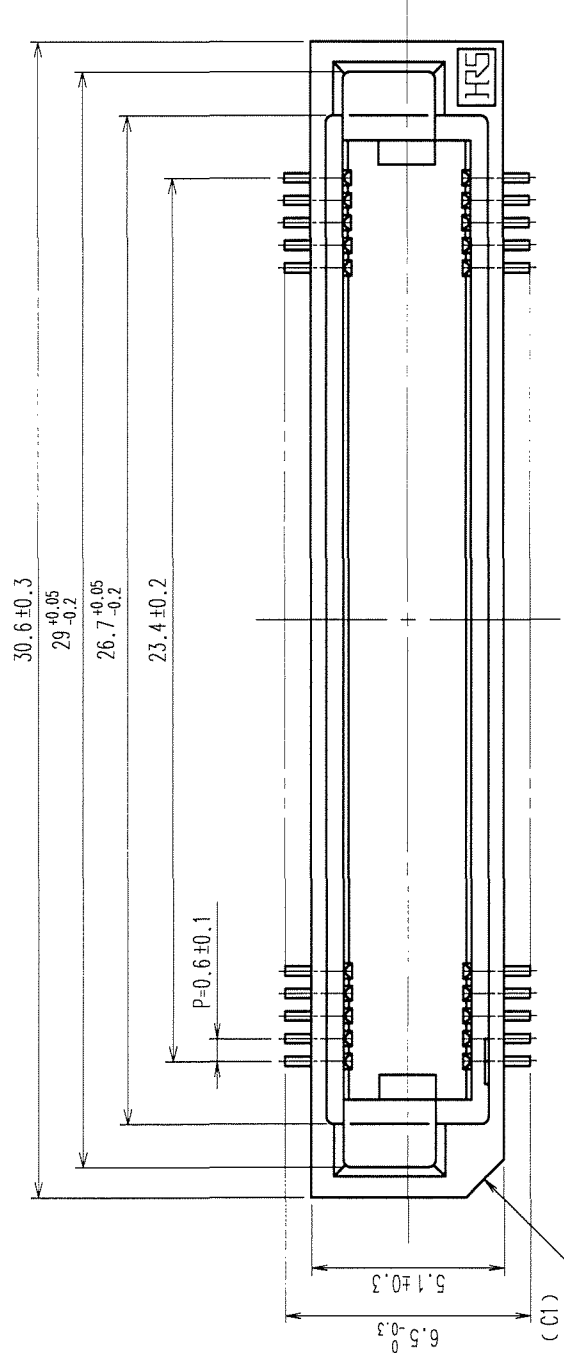
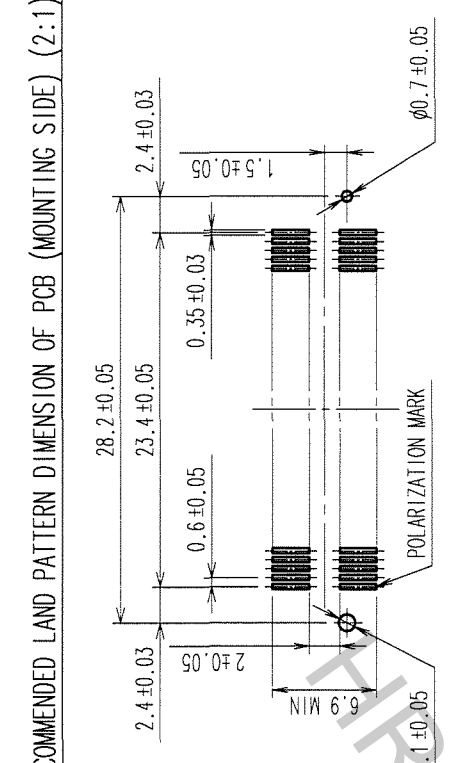


COUNT	DESCRIPTION OF REVISIONS	BY	CHKD	DATE	COUNT	DESCRIPTION OF REVISIONS	BY	CHKD	DATE
△					△				
△					△				
△					△				

A B C D E F

RECOMMENDED LAND PATTERN DIMENSION OF PCB (MOUNTING SIDE) (2:1)



- NOTE 1. LEAD CO-PLANARITY SHALL BE 0.1mm MAX.  
 2. FOR MODIFICATION, ETC., PREVENTIVE HOLE FOR SINK MARK MAY BE ADDED ACCORDING TO CIRCUMSTANCES.  
 3. THE DIMENSIONS IN PARENTHESES ARE FOR REFERENCE.

1	PPS	LIGHT BROWN (UL94V-0)	2	PHOSPHOR BRONZE	CONTACT AREA: GOLD 0.1μm min. LEAD AREA: TIN-PLATING 1μm min. UNDER PLATING: NICKEL 1μm min.
NO.	MATERIAL	FINISH, REMARKS	NO.	MATERIAL	FINISH, REMARKS
CL					
DRAWN		DESIGNED		CHECKED	
K. NAKAMURA		K. NAKAMURA		K. OYAMA	
05.12.16		05.12.16		'05.12.16	
05.12.16		05.12.16		'05.12.16	
APPROVED		APPROVED		RELEASED	
H. OKAWA		H. OKAWA		H. OKAWA	
'05.12.16		'05.12.16		'05.12.16	
PART NO.		PART NO.		PART NO.	
EDC3-150832-25		FX8C-80P-SV1(71)		FX8C-80P-SV1(71)	
DRAWING NO.		DRAWING NO.		DRAWING NO.	
5:1		5:1		5:1	
UNITS		UNITS		UNITS	
mm		mm		mm	
HRS		HRS		HRS	
HIROSE ELECTRIC CO., LTD.		HIROSE ELECTRIC CO., LTD.		HIROSE ELECTRIC CO., LTD.	
CODE NO.		CODE NO.		CODE NO.	
CL578-0523-1-71		CL578-0523-1-71		CL578-0523-1-71	
1		1		1	

TO	
PCK	