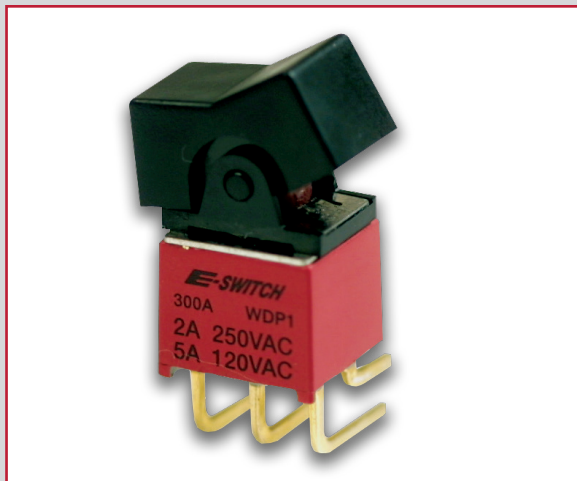


# 300A SERIES ROCKER SWITCH

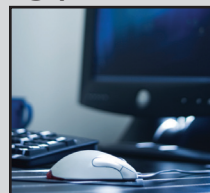
- ANTI-VANDAL SWITCHES
- DETECTOR SWITCHES
- DIP SWITCHES
- KEYLOCK SWITCHES
- NAVIGATION SWITCHES
- PUSHBUTTON SWITCHES
- ROCKER SWITCHES**
- ROTARY SWITCHES
- SLIDE SWITCHES
- SNAP ACTION SWITCHES
- TACTILE SWITCHES
- TOGGLE SWITCHES
- CAP OPTIONS



## APPLICATIONS / MARKETS



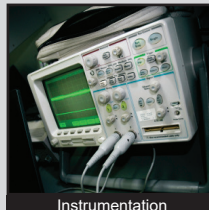
Test Equipment



Computer Peripherals



Networking



Instrumentation



Telecommunication



Electrical Housewares

# RoHS

## SPECIFICATIONS

**Contact Rating:** Silver: 5A @120VAC or 28VDC;  
2A @ 250VAC  
Gold: 0.4VA @ 20V Max (AC or DC)  
**Contact Resistance:** 10mΩ Max Initial  
**Insulation Resistance:** 1,000MΩ  
**Dielectric Strength:** 1,000V RMS at sea level  
**Operating Temperature:** -30°C to 85°C  
**Contact Arrangement:** SPDT, DPDT

## FEATURES & BENEFITS

- Multiple rocker & paddle options
- Multiple termination options
- Sealed to IP67
- UL Listed

## PART NUMBER CONFIGURATOR

Series	Model No.	Actuator	Actuator Color	Termination	Contact Material	Seal
300A	WSP1 - SPDT On-None-On WSP2 - SPDT On-None-(On) WSP3 - SPDT On-Off-On WSP4 - SPDT (On)-Off-(On) WSP5 - SPDT On-Off-(On) WDP1 - DPDT On-None-On WDP2 - DPDT On-None-(On) WDP3 - DPDT On-Off-On WDP4 - DPDT (On)-Off-(On) WDP5 - DPDT On-Off-(On)	R1 - Panel Mount R2 - Panel Mount R11 - Panel Mount R16 - Panel Mount J1 - PC Mount J2 - PC Mount J3 - PC Mount J4 - PC Mount J5 - PC Mount J6 - PC Mount	BLK - Black RED - Red WHT - White	M1 - Standard Vertical Panel Mount M2 - Standard Vertical PC Mount M3 - Quick Connect Vertical Panel Mount M6 - Horizontal Rt Angle PC Mount M7 - Vertical Rt Angle PC Mount VS2 - Vertical PC Mount w/ Retention Bracket Dim A=0.460 VS21 - Vertical PC Mount w/ Retention Bracket VS3 - Vertical PC Mount w/ Retention Bracket dim A=0.630	Q - Silver R - Gold	E - Epoxy

Specifications subject to change without notice



E-SWITCH®

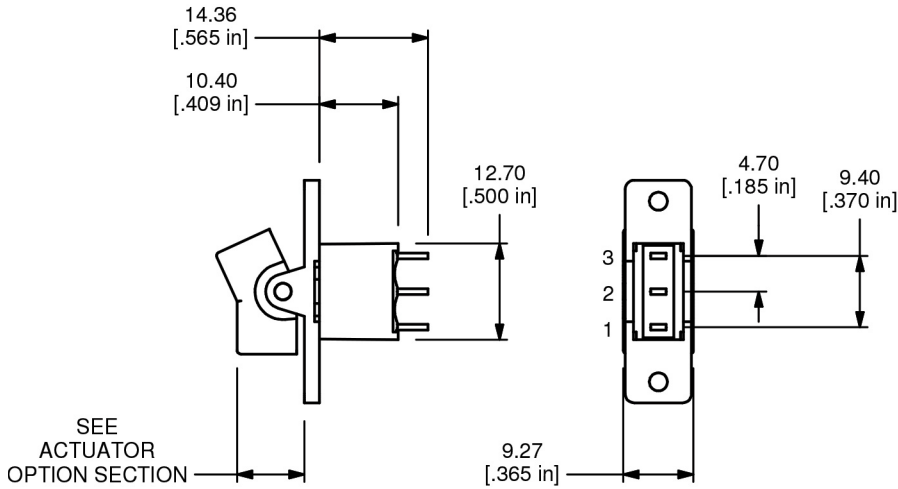
www.e-switch.com

800.867.2717

1

# 300A SERIES ROCKER SWITCH

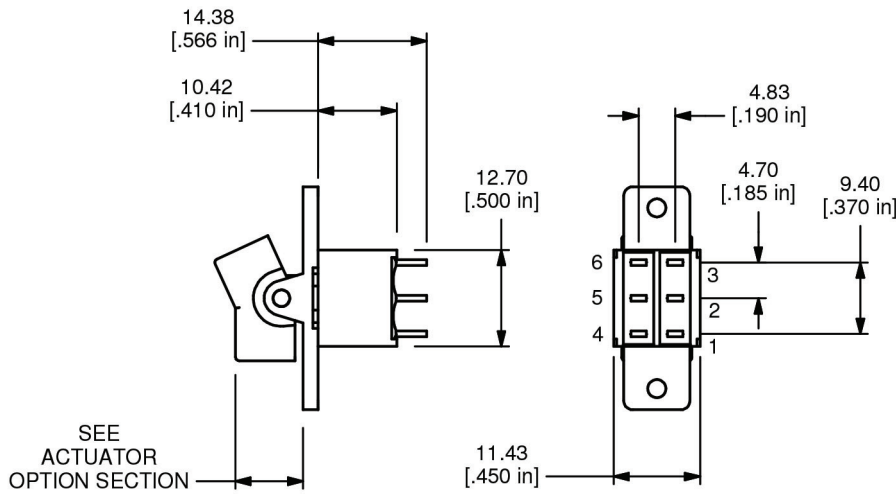
## SWITCH FUNCTIONS



MODEL NO.	POS. 1	POS. 2	POS. 3
WSP1	ON	NONE	ON
WSP2	ON	NONE	(ON)
WSP3	ON	OFF	ON
WSP4	(ON)	OFF	(ON)
WSP5	ON	OFF	(ON)
TERMINAL CLOSURE	2-3	OPEN	2-1

( ) = MOMENTARY

### SINGLE POLE - SP



MODEL NO.	POS. 1	POS. 2	POS. 3
WDP1	ON	NONE	ON
WDP2	ON	NONE	(ON)
WDP3	ON	OFF	ON
WDP4	(ON)	OFF	(ON)
WDP5	ON	OFF	(ON)
TERMINAL CLOSURE	2-3, 5-6	OPEN	2-1, 5-4

( ) = MOMENTARY

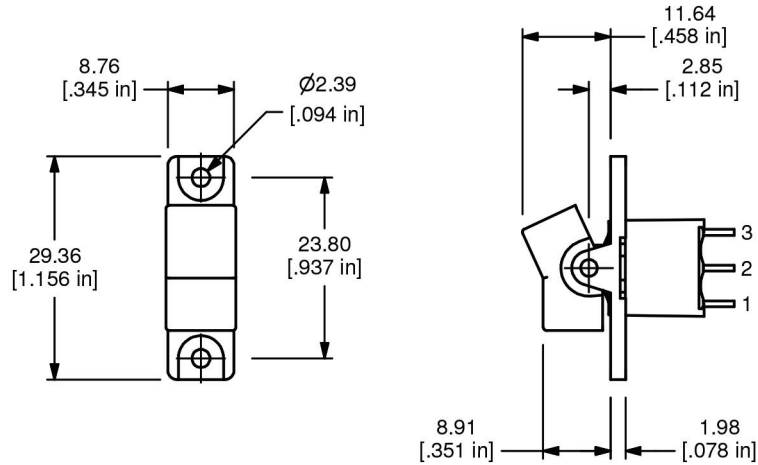
### DOUBLE POLE - DP



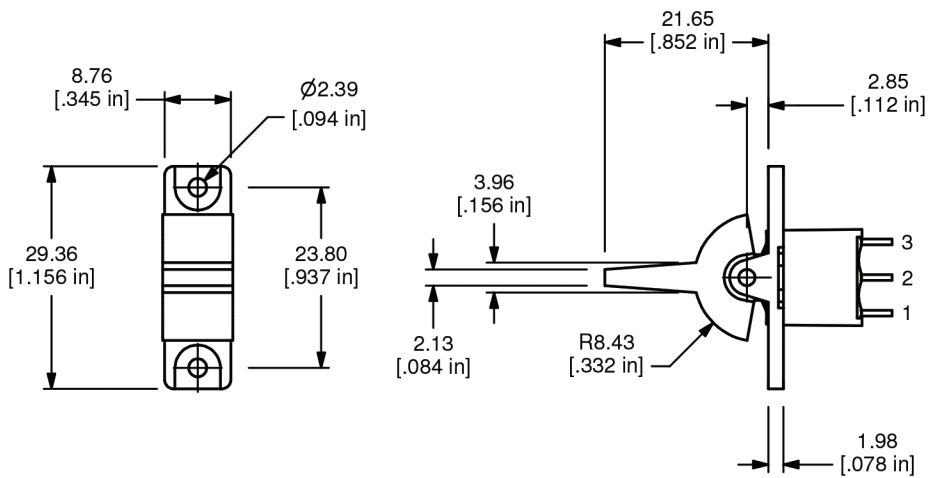
ANTI-VANDAL SWITCHES  
DETECTOR SWITCHES  
DIP SWITCHES  
KEYLOCK SWITCHES  
NAVIGATION SWITCHES  
PUSHBUTTON SWITCHES  
ROCKER SWITCHES  
ROTARY SWITCHES  
SLIDE SWITCHES  
SNAP ACTION SWITCHES  
TACTILE SWITCHES  
TOGGLE SWITCHES  
CAP OPTIONS

# 300A SERIES ROCKER SWITCH

## PANEL MOUNT ACTUATOR



R1 ACTUATOR

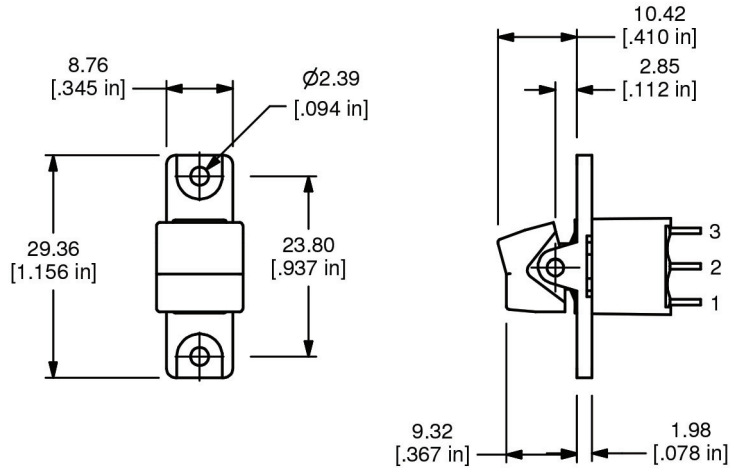


R2 ACTUATOR

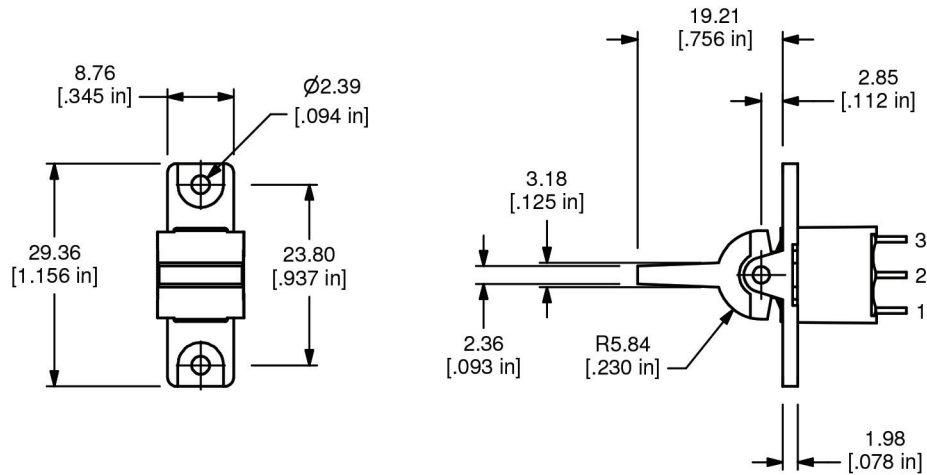


# 300A SERIES ROCKER SWITCH

## PANEL MOUNT ACTUATOR



R11 ACTUATOR



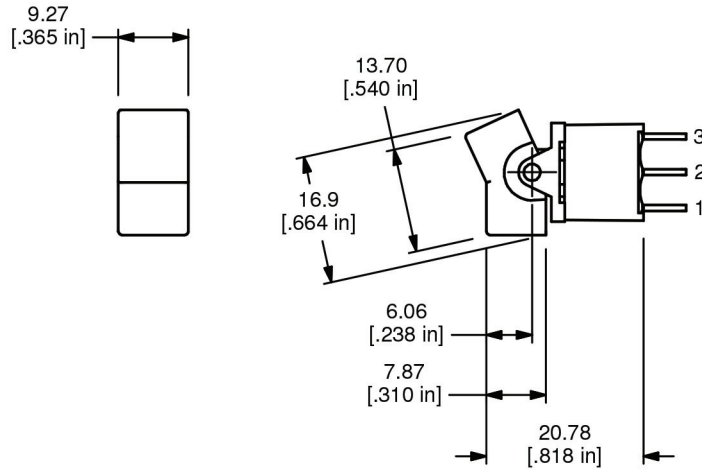
R16 ACTUATOR



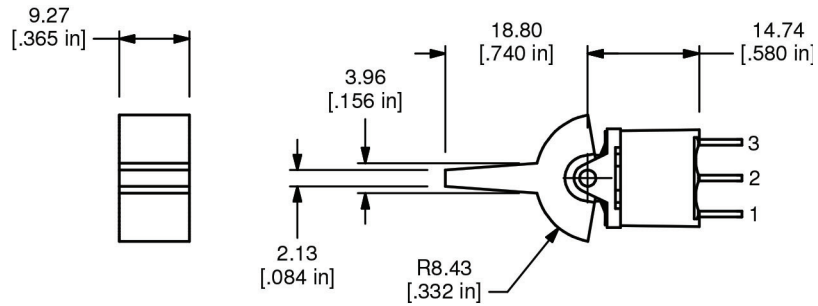
# 300A SERIES ROCKER SWITCH

## PC MOUNT ACTUATOR

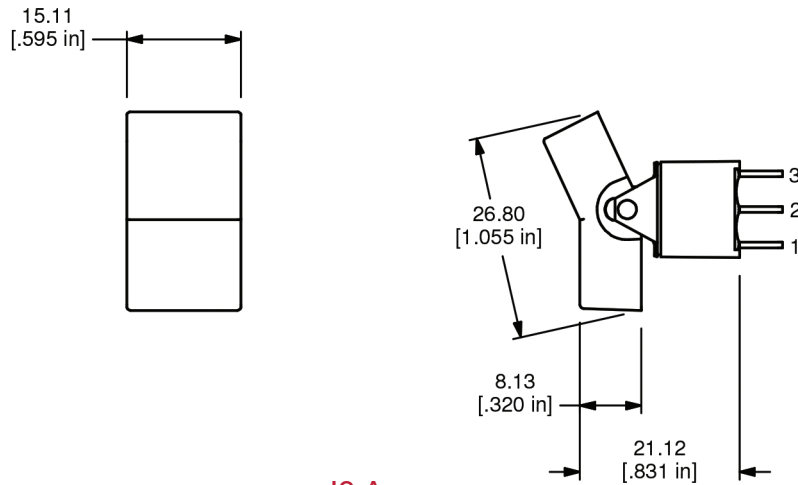
- ANTI-VANDAL SWITCHES
- DETECTOR SWITCHES
- DIP SWITCHES
- KEYLOCK SWITCHES
- NAVIGATION SWITCHES
- PUSHBUTTON SWITCHES
- ROCKER SWITCHES**
- ROTARY SWITCHES
- SLIDE SWITCHES
- SNAP ACTION SWITCHES
- TACTILE SWITCHES
- TOGGLE SWITCHES
- CAP OPTIONS



J1 ACTUATOR



J2 ACTUATOR

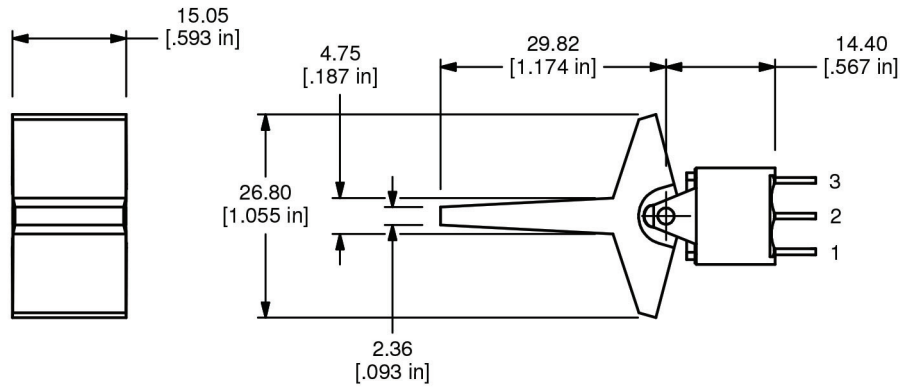


J3 ACTUATOR

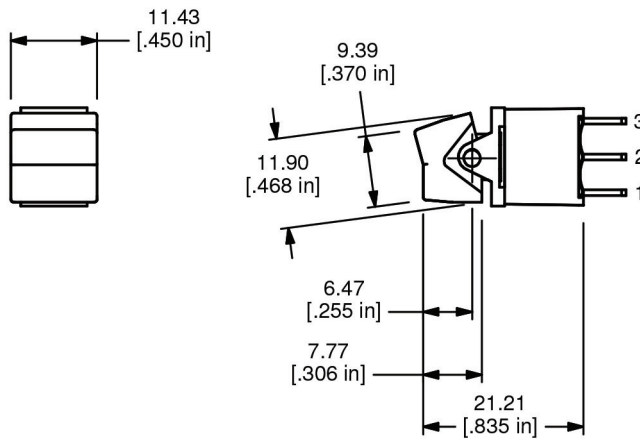


# 300A SERIES ROCKER SWITCH

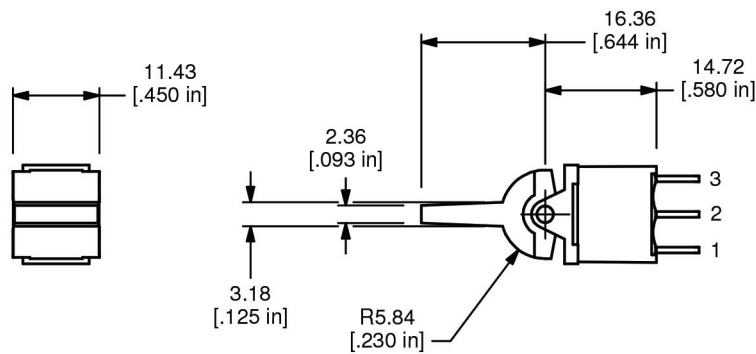
## PC MOUNT ACTUATOR



J4 ACTUATOR



J5 ACTUATOR



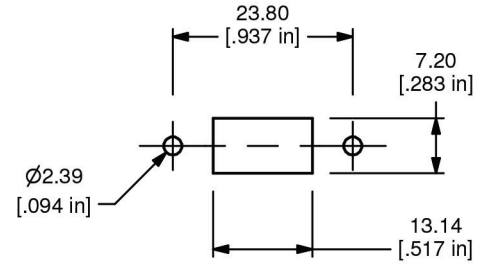
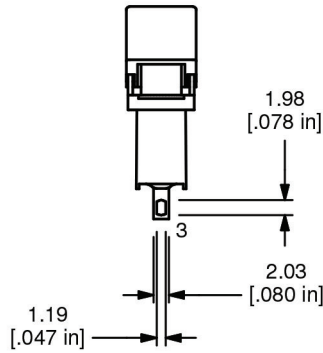
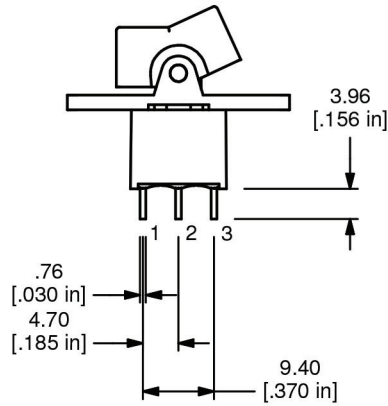
J6 ACTUATOR

- ANTI-VANDAL SWITCHES
- DETECTOR SWITCHES
- DIP SWITCHES
- KEYLOCK SWITCHES
- NAVIGATION SWITCHES
- PUSHBUTTON SWITCHES
- ROCKER SWITCHES**
- ROTARY SWITCHES
- SLIDE SWITCHES
- SNAP ACTION SWITCHES
- TACTILE SWITCHES
- TOGGLE SWITCHES
- CAP OPTIONS



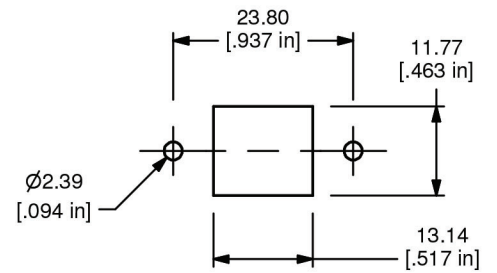
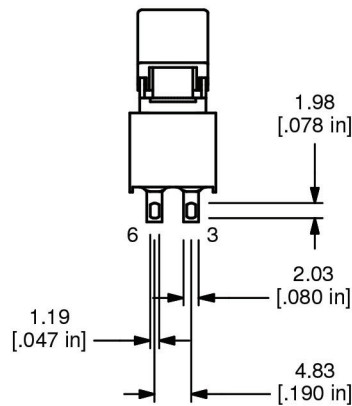
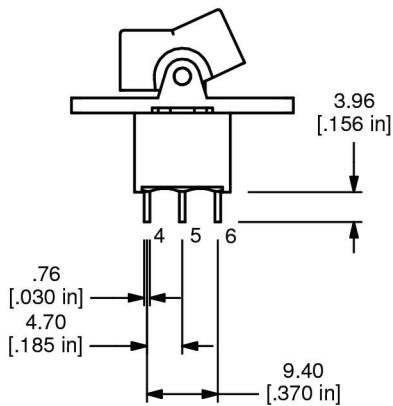
# 300A SERIES ROCKER SWITCH

## PANEL MOUNT TERMINATION



RECOMMENDED M1 SINGLE POLE PANEL CUTOUT

M1 TERMINATION - SP



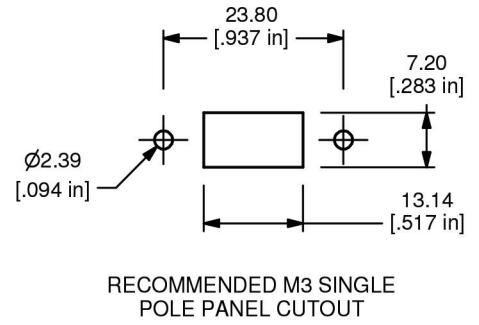
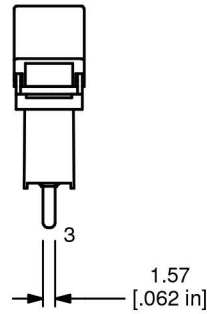
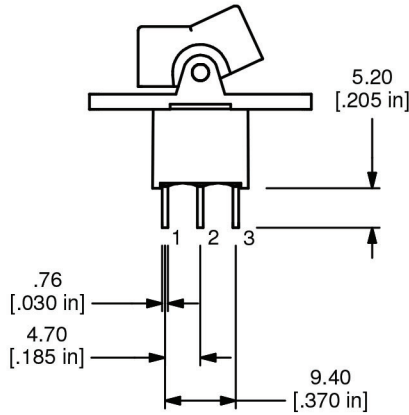
RECOMMENDED M1 DOUBLE POLE PANEL CUTOUT

M1 TERMINATION - DP

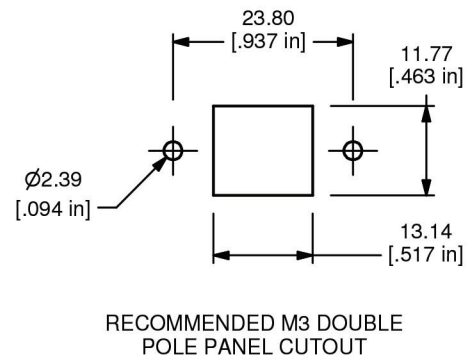
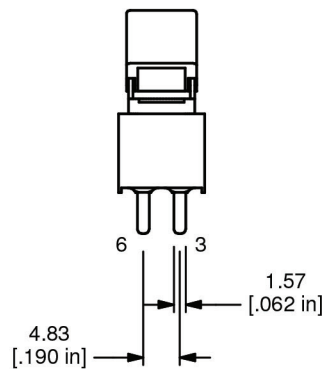
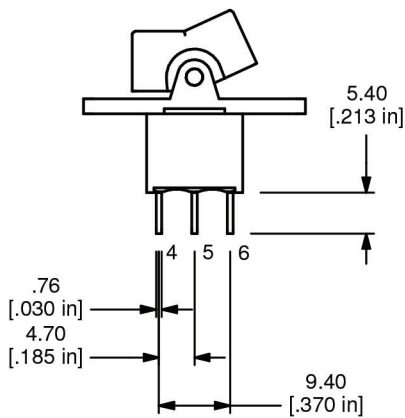


# 300A SERIES ROCKER SWITCH

## PANEL MOUNT TERMINATION



### M3 TERMINATION - SP



### M3 TERMINATION - DP



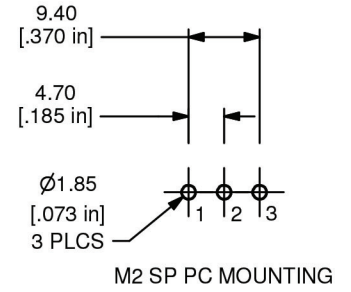
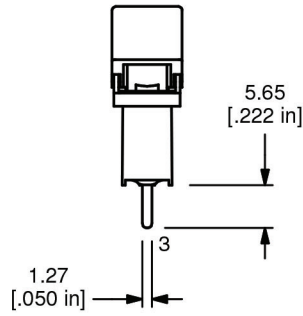
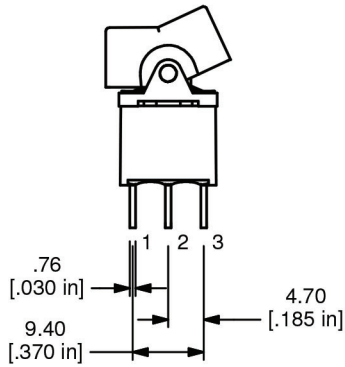
- ANTI-VANDAL SWITCHES
- DETECTOR SWITCHES
- SWITCHES
- DIP SWITCHES
- KEYLOCK SWITCHES
- NAVIGATION SWITCHES
- PUSHBUTTON SWITCHES
- ROCKER SWITCHES**
- ROTARY SWITCHES
- SLIDE SWITCHES
- SNAP ACTION SWITCHES
- TACTILE SWITCHES
- TOGGLE SWITCHES
- CAP OPTIONS



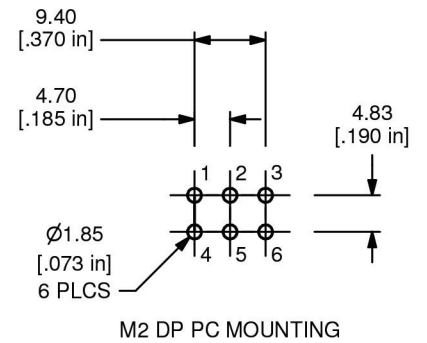
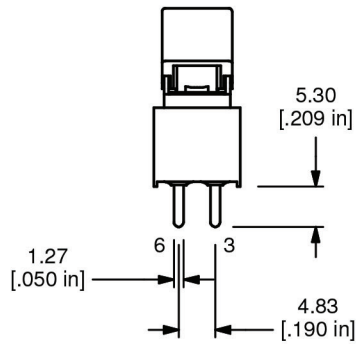
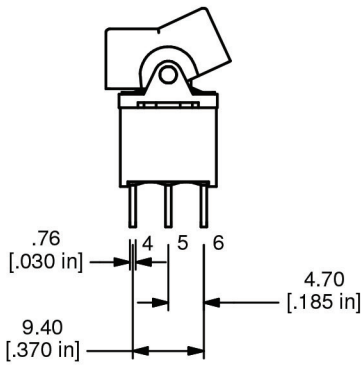
# 300A SERIES ROCKER SWITCH

## PC MOUNT TERMINATION

- ANTI-VANDAL SWITCHES
- DETECTOR SWITCHES
- DIP SWITCHES
- KEYLOCK SWITCHES
- NAVIGATION SWITCHES
- PUSHBUTTON SWITCHES
- ROCKER SWITCHES**
- ROTARY SWITCHES
- SLIDE SWITCHES
- SNAP ACTION SWITCHES
- TACTILE SWITCHES
- TOGGLE SWITCHES
- CAP OPTIONS



M2 TERMINATION - SP

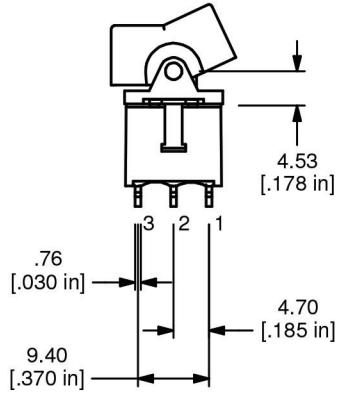
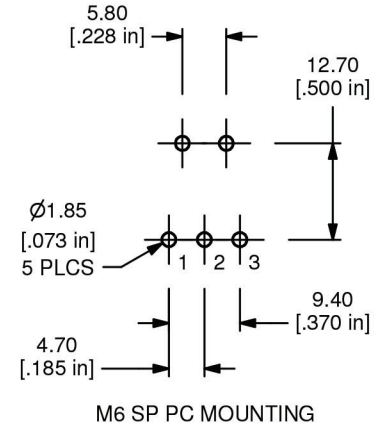
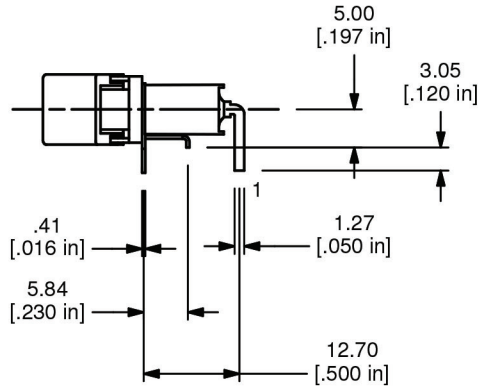
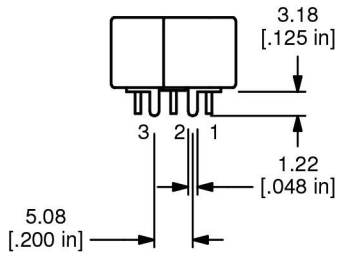


M2 TERMINATION - DP

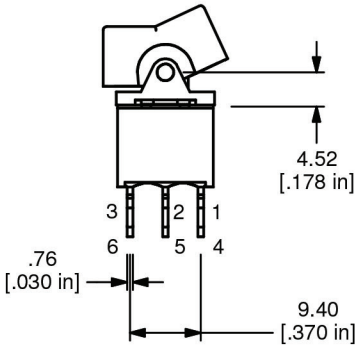
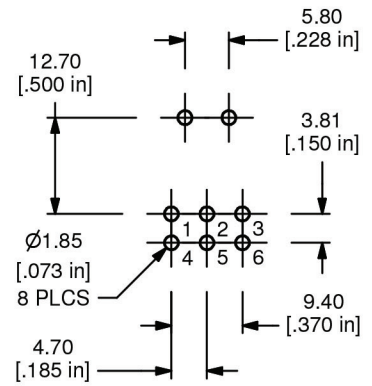
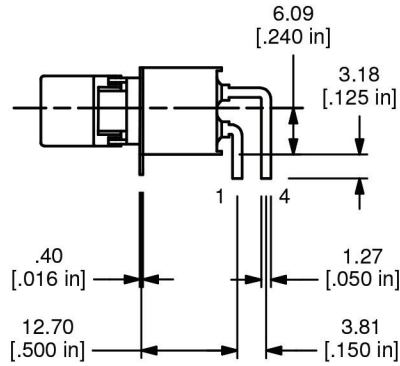
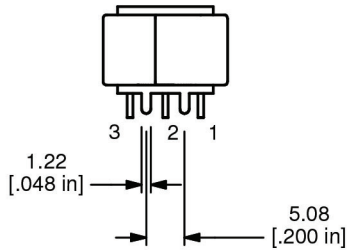


# 300A SERIES ROCKER SWITCH

## PC MOUNT TERMINATION



M6 TERMINATION - SP



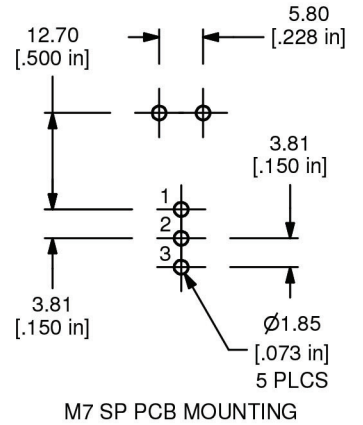
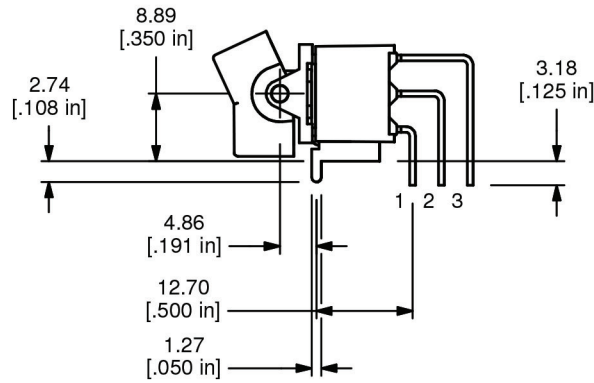
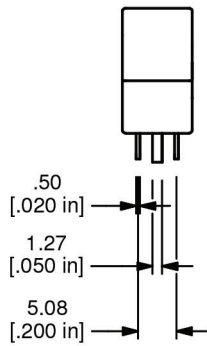
M6 TERMINATION - DP



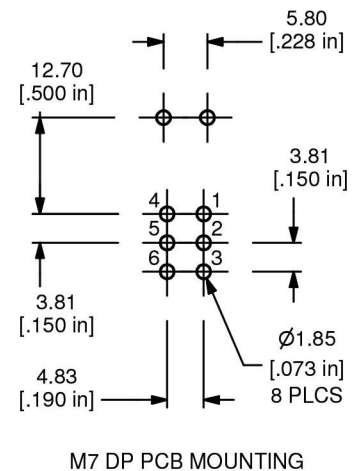
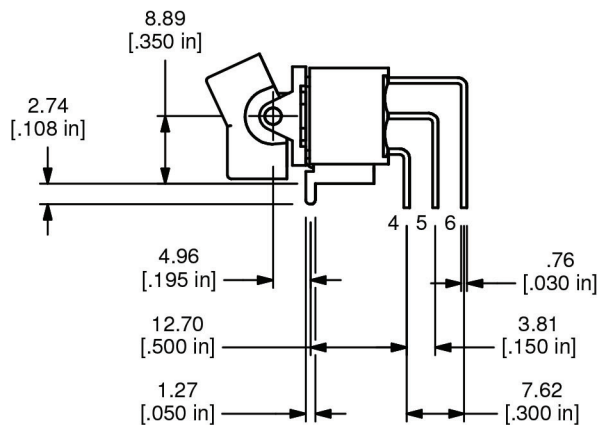
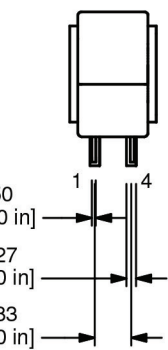
ANTI-VANDAL SWITCHES  
 DETECTOR SWITCHES  
 DIP SWITCHES  
 KEYLOCK SWITCHES  
 NAVIGATION SWITCHES  
 PUSHBUTTON SWITCHES  
**ROCKER SWITCHES**  
 ROTARY SWITCHES  
 SLIDE SWITCHES  
 SNAP ACTION SWITCHES  
 TACTILE SWITCHES  
 TOGGLE SWITCHES  
 CAP OPTIONS

# 300A SERIES ROCKER SWITCH

## PC MOUNT TERMINATION



M7 TERMINATION - SP

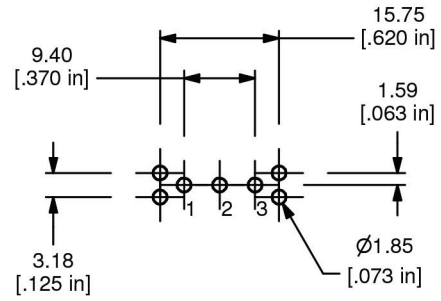
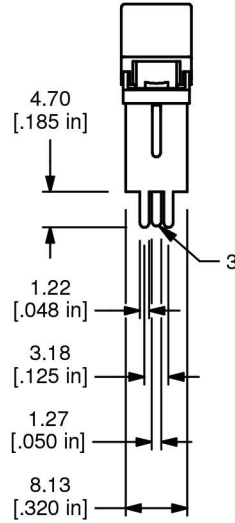
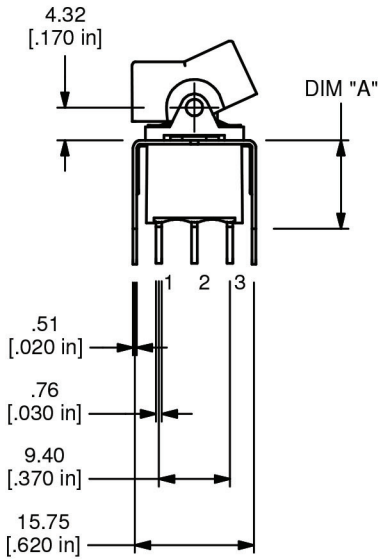


M7 TERMINATION - DP



# 300A SERIES ROCKER SWITCH

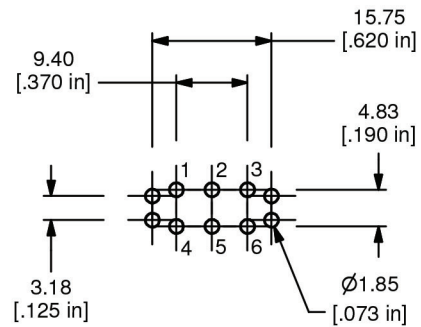
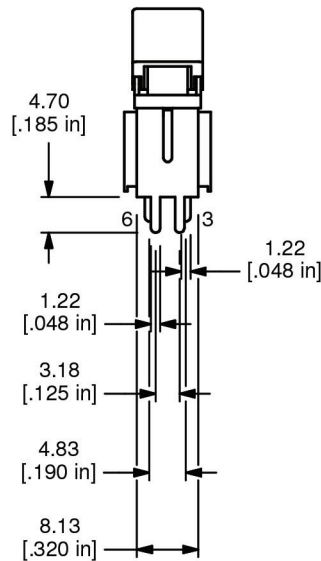
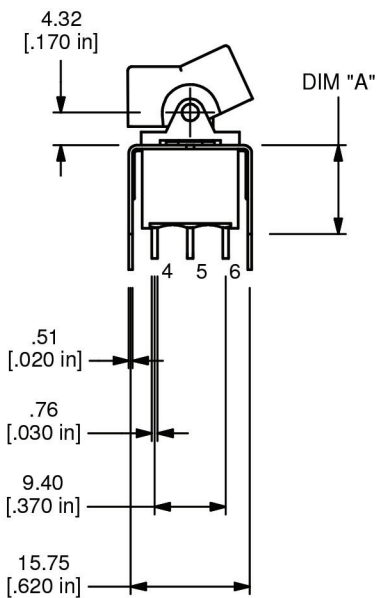
## PC MOUNT TERMINATION



VS2-VS3 SP PCB MOUNTING

OPTION	DIM "A"
VS2	11.68 [.460]
VS3	16.00 [.630]

### VS2-VS3 TERMINATION - SP



VS2-VS3 DP PCB MOUNTING

OPTION	DIM "A"
VS2	11.68 [.460]
VS3	16.00 [.630]

### VS2-VS3 TERMINATION - DP

