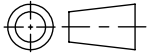
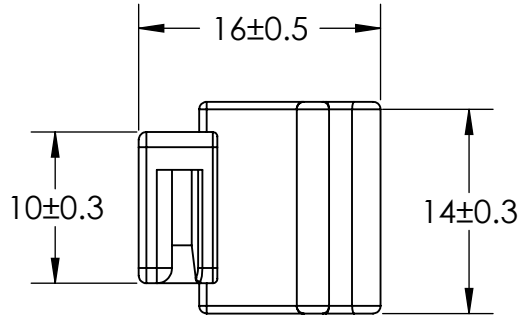


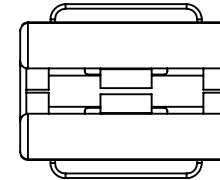
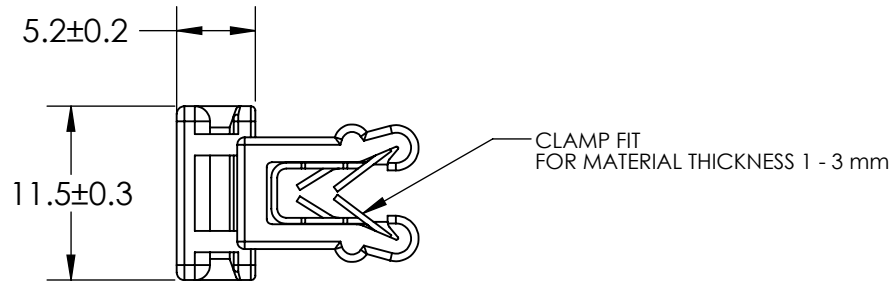
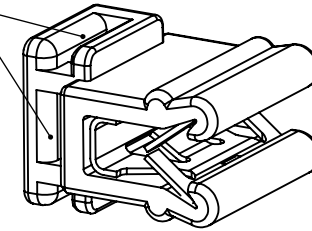
SW2009



Revision level		Revision Record	Changed	Date	Approved	Date
Drawing	Part					
01	-	SEE ECN# 012054	AAC	11/12/2010	AAC	03/20/2012



BI-DIRECTIONAL TIE ENTRY



01

Material
PA66HIRHSUV

Units inches

Dimension without tolerances details to:

- .xxxx = ±.0005
- .xxx = ±.005
- .xx = ±.01
- .x = ±.03
- None = ±.06
- ∠ = ±0.5°

The copyright of this drawing is reserved by HellermannTyton. It is issued on condition that it is not reproduced, copied, or disclosed to a third party, either wholly or in part, without the consent of HellermannTyton.

Drawn	AAC	10/27/2010	Article/Type-No	EC4	Scale	2:1	
Approved	AAC	11/12/2010	Title	EC4 EDGE CLIP	Project Number	PRP10-0831	
<p style="text-align: center;">HellermannTyton</p> <p style="text-align: center;">North America Email: corp@htamericas.com Web: www.hellermann.tyton.com</p>			Drawing-No	CL10-0831-002CST	Production : Phase	Format	AH
					Sheet	1/1	