

**60**mm sq.

# San Ace 60



## General Specifications

- Material ..... Frame: Plastics (Flammability: UL94V-0),  
Impeller: Plastics (Flammability: UL94V-0)
- Expected Life ..... Refer to specifications (L10:Survival rate:90% at 60°C ,  
rated voltage, and continuously run in a free air state)
- Lead Wire ..... ⊕red ⊖black (Sensor) yellow (Control) brown
- Storage Temperature ..... -30°C to +70°C (Non-condensing)

**60×60×25**mm (Mass : 90g) **9G type**

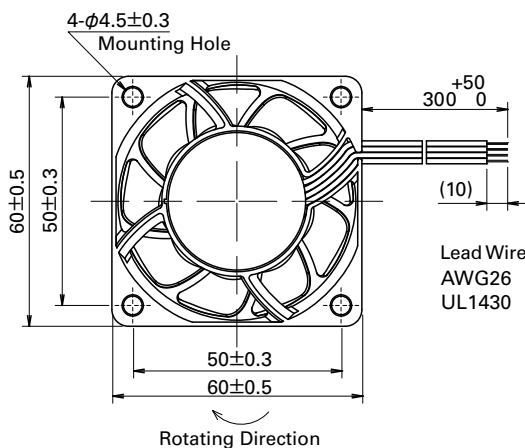
**Specifications** The following nos. **have PWM controls, pulse sensors, and ribs.** For ribless, append "1" to the model no.

Model No.	Rated Voltage [V]	Operating Voltage Range [V]	PWM duty cycle* [%]	Rated Current [A]	Rated Input [W]	Rated Speed [min <sup>-1</sup> ]	Max. Airflow [m <sup>3</sup> /min] [CFM]	Max. Static Pressure [Pa] [InchH <sub>2</sub> O]	SPL [dB(A)]	Operating Temperature Range [°C]	Expected Life [h]
9G0612P4S001	12	10.2 to 13.8	100	0.67	8.04	11,000	1.4 49.4	300 1.20	53	-20 to +70	40,000/60°C (70,000/40°C)
			0	0.07	0.84	3,300	0.42 14.8	27 0.11	19		
9G0612P4H001			100	0.50	6.00	9,500	1.21 42.7	224 0.90	49		
			0	0.06	0.72	2,850	0.36 12.7	20.2 0.08	18		
9G0624P4S001	24	20.4 to 27.6	100	0.34	8.16	11,000	1.4 49.4	300 1.20	53		
			0	0.04	0.96	3,300	0.42 14.8	27 0.11	19		
9G0624P4H001			100	0.25	6.00	9,500	1.21 42.7	224 0.90	49		
			0	0.04	0.96	2,850	0.36 12.7	20.2 0.08	18		
9G0648P4S001	48	36 to 72	100	0.18	8.64	11,000	1.4 49.4	305 1.22	53		
			0	0.02	0.96	3,300	0.42 14.8	27.4 0.11	19		

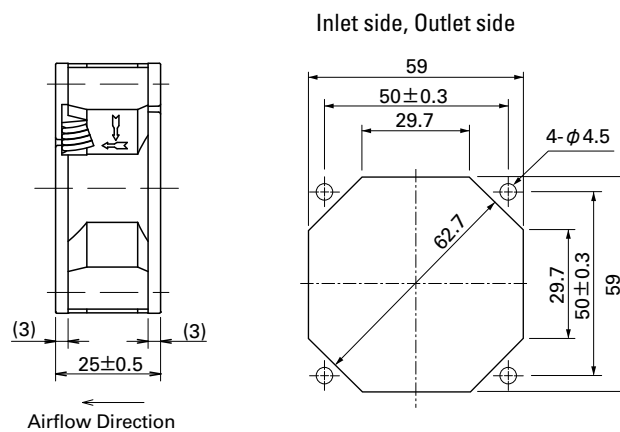
※PWM Frequency : 25kHz

Other sensor specifications are available as options. Please refer to the index (pp. 501 to 502).

## Dimensions (unit: mm) (With ribs)



## Reference Dimensions of Mounting Holes and Vent Opening (unit: mm)

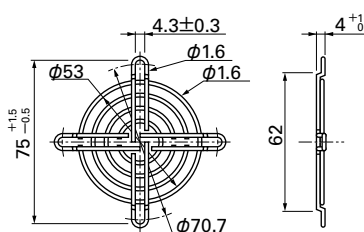


## Options (unit: mm)

### Finger Guards

Model : 109-139E Surface treatment : Nickel-chrome plating (silver) Color : 109-139H : Cation electropainting (black)

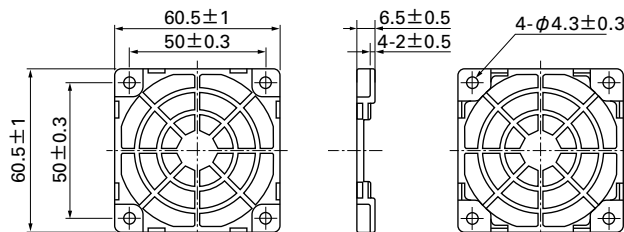
Inlet side, Outlet side



Mass : 14.5g

### Resin Finger Guards

Model : 109-1003G

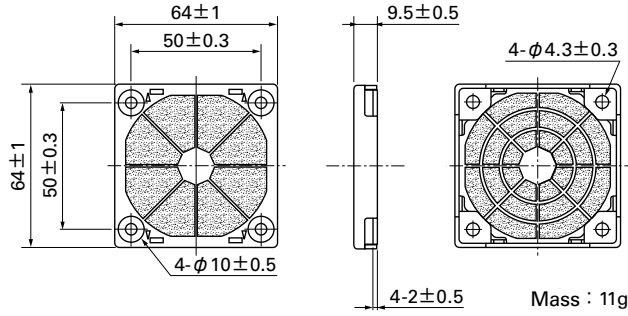


Mass : 7g

Options (unit: mm)

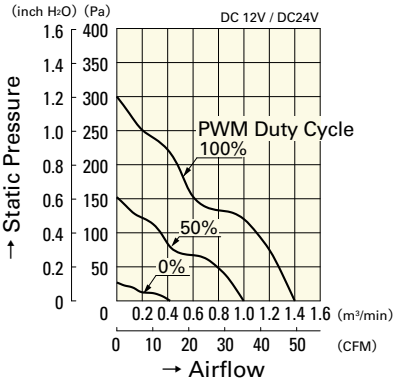
Resin Filter Kits

Model : 109-1003F13 (13PPI), 109-1003F20 (20PPI)  
 : 109-1003F30 (30PPI), 109-1003F40 (40PPI)

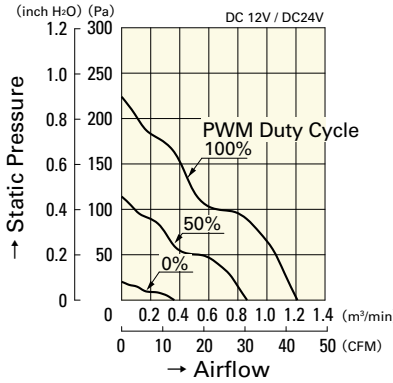


Airflow - Static Pressure Characteristics

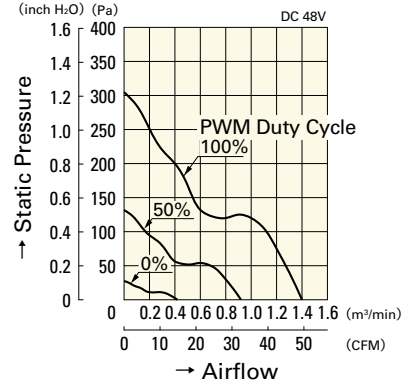
PWM Duty Cycle



**9G0612P4S001**  
**9G0624P4S001**

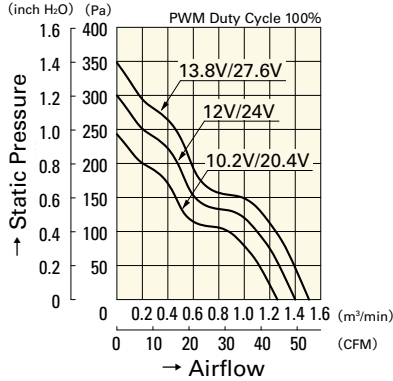


**9G0612P4H001**  
**9G0624P4H001**

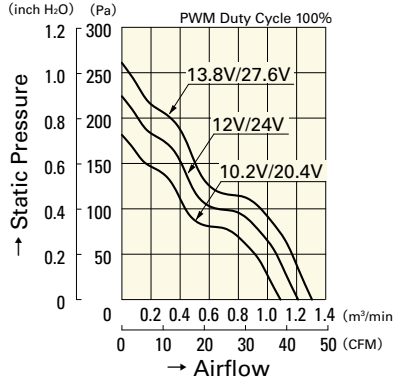


**9G0648P4S001**

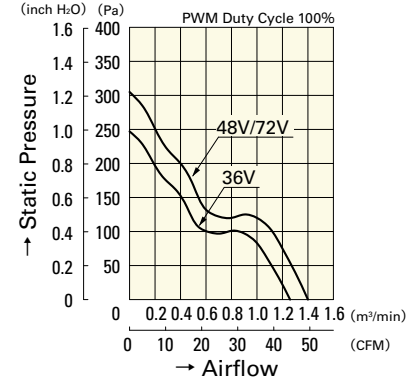
Operating Voltage Range



**9G0612P4S001**  
**9G0624P4S001**

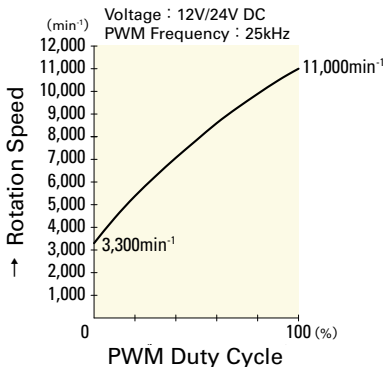


**9G0612P4H001**  
**9G0624P4H001**

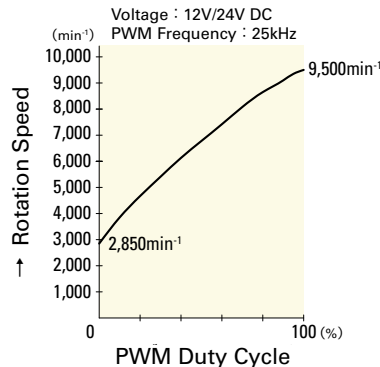


**9G0648P4S001**

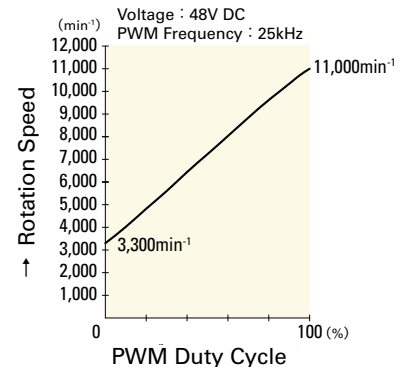
PWM Duty - Speed Characteristics Example



**9G0612P4S001**  
**9G0624P4S001**



**9G0612P4H001**  
**9G0624P4H001**



**9G0648P4S001**