

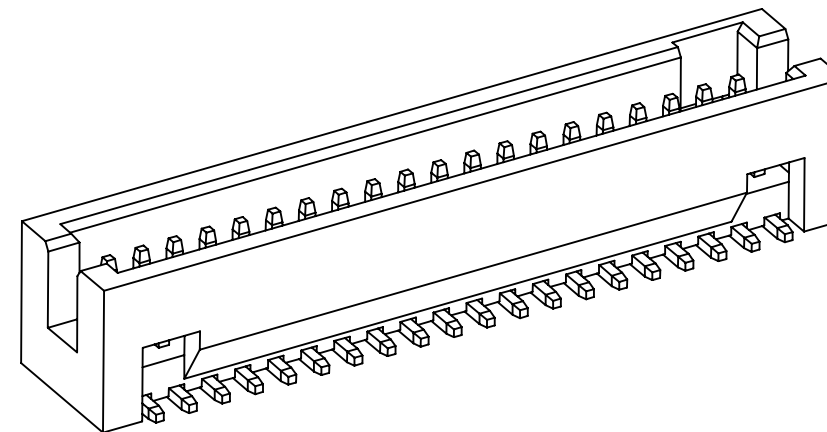
PART NUMBER CODING
SBH31- BPB-D -SM-BK

INSULATOR MATERIAL

N = NYLON 9T
 OPERATING TEMPERATURE: -40°C TO +105°C
 PROCESSING TEMP.: 230°C MAX FOR 60 SECONDS
 (260°C MAX FOR 10 SECONDS)

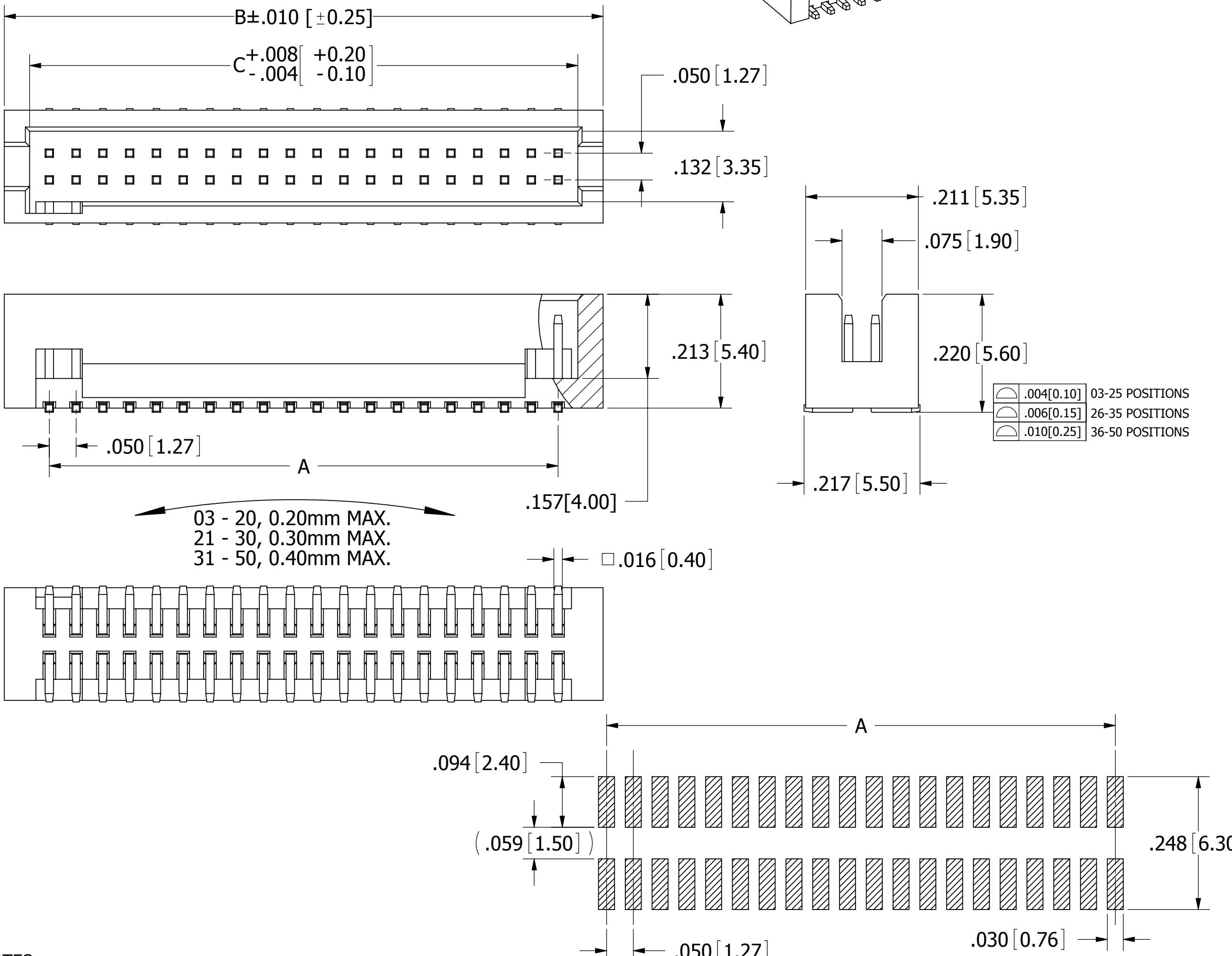
L = LCP
 OPERATING TEMPERATURE: -40°C TO +125°C
 PROCESSING TEMP.: 230°C MAX FOR 60 SECONDS
 (260°C MAX FOR 10 SECONDS)

NUMBER OF POSITIONS
 (CONTACTS PER ROW)



REVISIONS				
REV.	ECO. NO	DESCRIPTION	DATE	BY
D	2835	ADD INSULATOR MATERIAL LCP AND UPGRADE NYLON 9T(WAS NYLON 6T), UPDATE SMT TAIL COPLANAR TOLERANCE & ADD WARP TOLERANCE	04/07/2014	LH
E	3040	ADD DIMENSION 'B' AND 'C' OF TOLERANCES, UPDATE DIMENSION TABLE	08/08/2014	LH
F	3219	UPDATE INSULATOR COLOR OPTIONS	05/12/2015	LH

PART NUMBER	POSITIONS/ CONTACTS	A		B		C	
		INCH	MM	INCH	MM	INCH	MM
SBH31- BPB-D03-SM-BK	03/06	0.100	2.54	0.268	6.81	0.175	4.44
SBH31- BPB-D04-SM-BK	04/08	0.150	3.81	0.318	8.08	0.225	5.71
SBH31- BPB-D05-SM-BK	05/10	0.200	5.08	0.368	9.35	0.275	6.98
SBH31- BPB-D06-SM-BK	06/12	0.250	6.35	0.418	10.62	0.325	8.25
SBH31- BPB-D07-SM-BK	07/14	0.300	7.62	0.468	11.89	0.375	9.52
SBH31- BPB-D08-SM-BK	08/16	0.350	8.89	0.518	13.16	0.425	10.79
SBH31- BPB-D09-SM-BK	09/18	0.400	10.16	0.568	14.43	0.475	12.06
SBH31- BPB-D10-SM-BK	10/20	0.450	11.43	0.618	15.70	0.525	13.33
SBH31- BPB-D11-SM-BK	11/22	0.500	12.70	0.668	16.97	0.575	14.60
SBH31- BPB-D12-SM-BK	12/24	0.550	13.97	0.718	18.24	0.625	15.87
SBH31- BPB-D13-SM-BK	13/26	0.600	15.24	0.768	19.51	0.675	17.14
SBH31- BPB-D14-SM-BK	14/28	0.650	16.51	0.818	20.78	0.725	18.41
SBH31- BPB-D15-SM-BK	15/30	0.700	17.78	0.868	22.05	0.775	19.68
SBH31- BPB-D16-SM-BK	16/32	0.750	19.05	0.918	23.32	0.825	20.95
SBH31- BPB-D17-SM-BK	17/34	0.800	20.32	0.968	24.59	0.875	22.22
SBH31- BPB-D18-SM-BK	18/36	0.850	21.59	1.018	25.86	0.925	23.49
SBH31- BPB-D19-SM-BK	19/38	0.900	22.86	1.068	27.13	0.975	24.76
SBH31- BPB-D20-SM-BK	20/40	0.950	24.13	1.118	28.40	1.025	26.03
SBH31- BPB-D21-SM-BK	21/42	1.000	25.40	1.168	29.67	1.075	27.30
SBH31- BPB-D22-SM-BK	22/44	1.050	26.67	1.218	30.94	1.125	28.57
SBH31- BPB-D23-SM-BK	23/46	1.100	27.94	1.268	32.21	1.175	29.84
SBH31- BPB-D24-SM-BK	24/48	1.150	29.21	1.318	33.48	1.225	31.11
SBH31- BPB-D25-SM-BK	25/50	1.200	30.48	1.368	34.75	1.275	32.38
SBH31- BPB-D26-SM-BK	26/52	1.250	31.75	1.418	36.02	1.325	33.65
SBH31- BPB-D27-SM-BK	27/54	1.300	33.02	1.468	37.29	1.375	34.92
SBH31- BPB-D28-SM-BK	28/56	1.350	34.29	1.518	38.56	1.425	36.19
SBH31- BPB-D29-SM-BK	29/58	1.400	35.56	1.568	39.83	1.475	37.46
SBH31- BPB-D30-SM-BK	30/60	1.450	36.83	1.618	41.10	1.525	38.73
SBH31- BPB-D31-SM-BK	31/62	1.500	38.10	1.668	42.37	1.575	40.00
SBH31- BPB-D32-SM-BK	32/64	1.550	39.37	1.718	43.64	1.625	41.27
SBH31- BPB-D33-SM-BK	33/66	1.600	40.64	1.768	44.91	1.675	42.54
SBH31- BPB-D34-SM-BK	34/68	1.650	41.91	1.818	46.18	1.725	43.81
SBH31- BPB-D35-SM-BK	35/70	1.700	43.18	1.868	47.45	1.775	45.08
SBH31- BPB-D36-SM-BK	36/72	1.750	44.45	1.918	48.72	1.825	46.35
SBH31- BPB-D37-SM-BK	37/74	1.800	45.72	1.968	49.99	1.875	47.62
SBH31- BPB-D38-SM-BK	38/76	1.850	46.99	2.018	51.26	1.925	48.89
SBH31- BPB-D39-SM-BK	39/78	1.900	48.26	2.068	52.53	1.975	50.16
SBH31- BPB-D40-SM-BK	40/80	1.950	49.53	2.118	53.80	2.025	51.43
SBH31- BPB-D41-SM-BK	41/82	2.000	50.80	2.168	55.07	2.075	52.70
SBH31- BPB-D42-SM-BK	42/84	2.050	52.07	2.218	56.34	2.125	53.97
SBH31- BPB-D43-SM-BK	43/86	2.100	53.34	2.268	57.61	2.175	55.24
SBH31- BPB-D44-SM-BK	44/88	2.150	54.61	2.318	58.88	2.225	56.51
SBH31- BPB-D45-SM-BK	45/90	2.200	55.88	2.368	60.15	2.275	57.78
SBH31- BPB-D46-SM-BK	46/92	2.250	57.15	2.418	61.42	2.325	59.05
SBH31- BPB-D47-SM-BK	47/94	2.300	58.42	2.468	62.69	2.375	60.32
SBH31- BPB-D48-SM-BK	48/96	2.350	59.69	2.518	63.96	2.425	61.59
SBH31- BPB-D49-SM-BK	49/98	2.400	60.96	2.568	65.23	2.475	62.86
SBH31- BPB-D50-SM-BK	50/100	2.450	62.23	2.618	66.50	2.525	64.13



RECOMMENDED PCB LAYOUT

- NOTES:
- INSULATOR MATERIAL: SEE PART NUMBER CODING, UL 94V-0, BLACK
 - CONTACT MATERIAL: BRASS
 - CONTACT PLATING: .000030"~.000050" NICKEL UNDERPLATE, GOLD FLASH OVERALL
 - OPERATING TEMPERATURE: SEE PART NUMBER CODING
 - PROCESSING TEMP.: SEE PART NUMBER CODING
 - CONTACT RESISTANCE: 20 MILLIOHMS MAX.
 - CURRENT RATING: 1 AMP
 - DIELECTRIC WITHSTANDING: 500 VAC
 - INSULATOR RESISTANCE: 5,000 MEGOHMS MIN.
 - MATES WITH SFH31 FEMALE HEADER SERIES



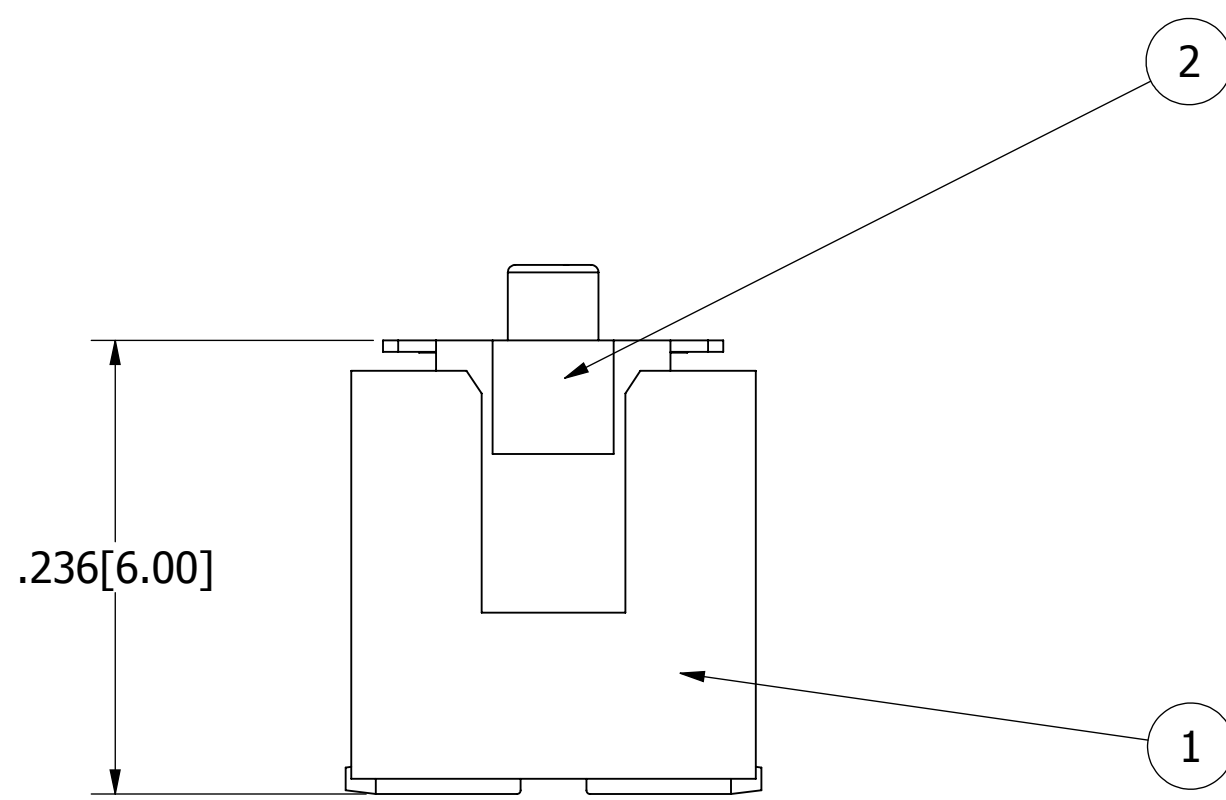
UNLESS OTHERWISE SPECIFIED:
 DIMENSIONS ARE IN INCHES [MM]

TOLERANCES:

ANGULAR:

DECIMALS
 .XX = ± .012 [.31]
 .XXX = ± .008 [.20]
 .XXXX = ± .0040 [.100]

DRAWN	DATE	NAME	
	05/15/2008	VJ	
THE INFORMATION HEREIN CONTAINS PROPRIETARY INFORMATION OF SULLINS ELECTRONICS AND IS NOT TO BE REPRODUCED, USED OR DISCLOSED TO OTHERS FOR ANY PURPOSE EXCEPT AS SPECIFICALLY AUTHORIZED IN WRITING BY AN OFFICER OF SULLINS ELECTRONICS.			TITLE
			BOX HEADER .050[1.27] CC/RS, SM
			PART NUMBER
			SBH31- BPB-D -SM-BK
SIZE	CAGE CODE	DWG. NO.	REV
C	54453	11104	F
SCALE: 8:1		SHEET 1 OF 2	



ITEM 1	SBH31- _BPB-D _ _SM-BK
ITEM 2 (MATES)	SFH31-NP_B-D _ _SP-BK (with polarizing key)



UNLESS OTHERWISE SPECIFIED:
DIMENSIONS ARE IN INCHES [MM]

TOLERANCES:

ANGULAR:

DECIMALS
 .XX= ± .012 [.31]
 .XXX= ± .008 [.20]
 .XXXX= ± .0040 [.100]

DRAWN	DATE	NAME
	05/15/2008	VJ

THE INFORMATION HEREIN CONTAINS PROPRIETARY INFORMATION OF SULLINS ELECTRONICS AND IS NOT TO BE REPRODUCED, USED OR DISCLOSED TO OTHERS FOR ANY PURPOSE EXCEPT AS SPECIFICALLY AUTHORIZED IN WRITING BY AN OFFICER OF SULLINS ELECTRONICS.

SULLINS CONNECTOR SOLUTIONS		
TITLE BOX HEADER .050[1.27] CC/RS, SM		
PART NUMBER SBH31- _BPB-D _ _SM-BK		
SIZE C	CAGE CODE 54453	DWG. NO. 11104
SCALE: 2:1		REV F
		SHEET 2 OF 2