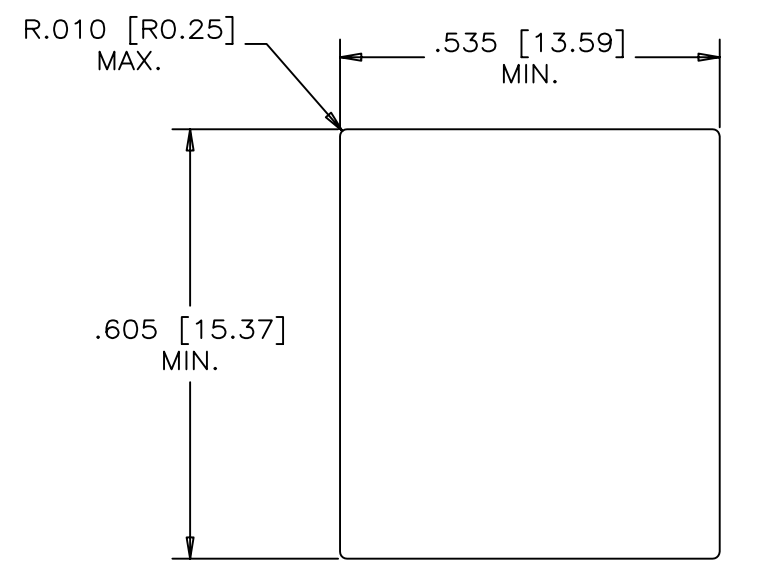
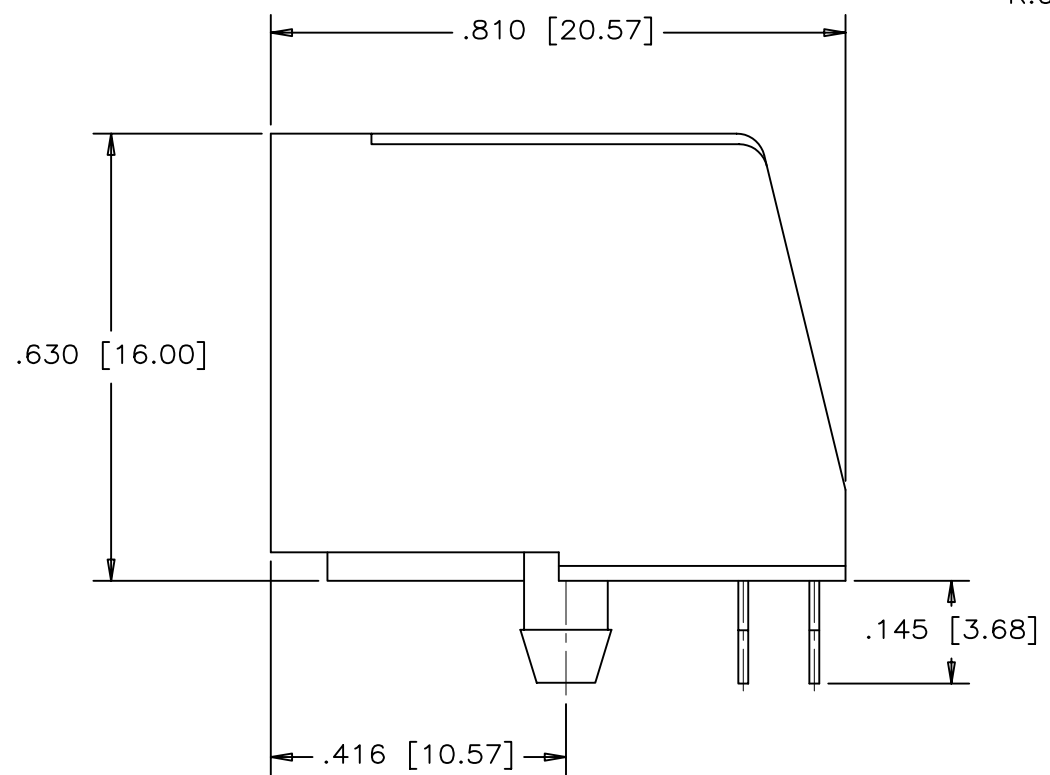
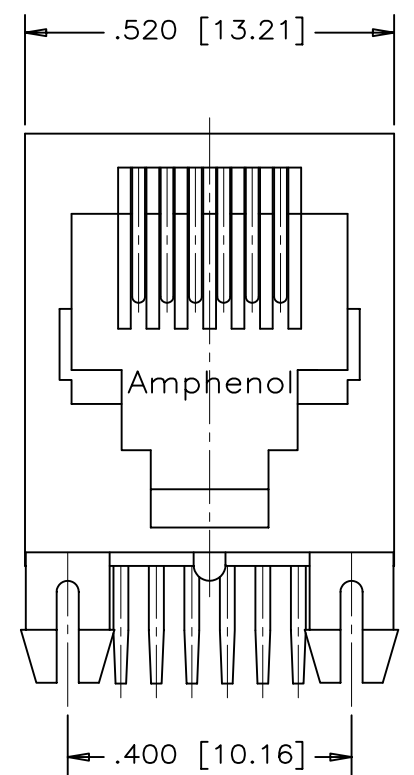
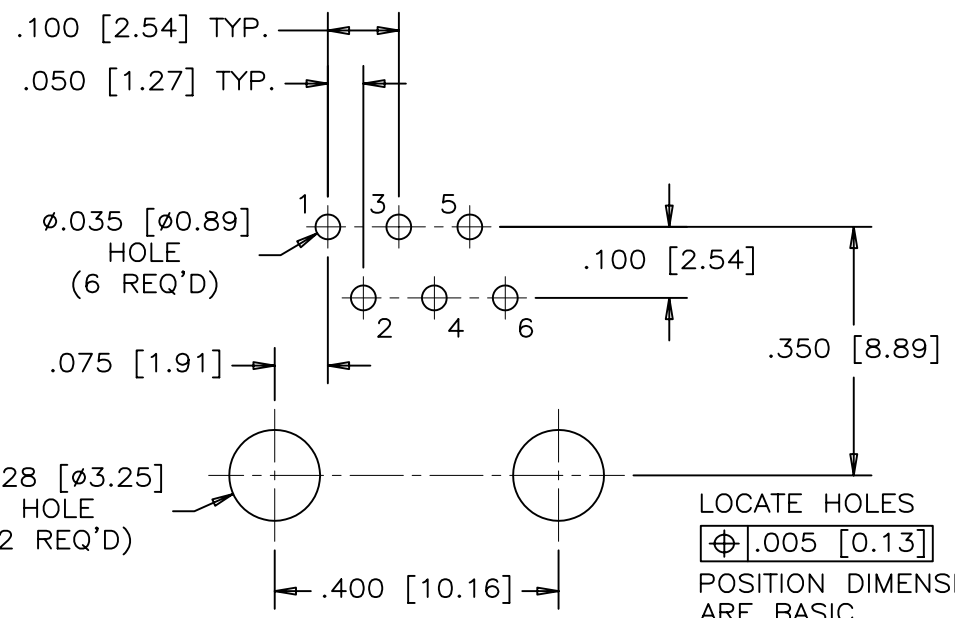


REVISIONS			
SYM	ZONE	ECN, ERN NO.	DATE
A		PROPOSAL	06/03/14



RECOMMENDED PANEL CUTOUT



RECOMMENDED P.C.B. LAYOUT
(COMPONENT SIDE OF BOARD)



MATERIALS:

HOUSING: GLASS REINFORCED THERMOPLASTIC POLYESTER
FLAMMABILITY RATING UL94V-0
COLOUR: BLACK

CONTACTS: PHOSPHOR BRONZE
REFER TO PART NUMBER FOR GOLD THICKNESS ON MATING SURFACES. 50 MICROINCH [1.27 MICRONS] MIN. NICKEL UNDERPLATE. MICROINCH [2.54 MICRONS] MIN. MATTE-TIN ON CONTACT TAILS.

RECOMMENED DOLDERING TEMPERATURE:
WAVE SOLDERING AT 240°C MAXIMUM FOR 3 SEC MAXIMUM.

AMPHENOL PART NUMBER: R J E 0 2 - 1 6 X - 0 X 1 0

CONTACTS _____ GOLD PLATING

2 = 2 CONTACTS LOADED IN POSITION 3 & 4
4 = 4 CONTACTS LOADED IN POSITION 2 TO 5
6 = 6 CONTACTS LOADED IN POSITION 1 TO 6

1 = 6 MICROINCH
2 = 15 MICROINCH
3 = 30 MICROINCH
4 = 50 MICROINCH

THIS DOCUMENT CONTAINS PROPRIETARY INFORMATION AND SUCH INFORMATION MAY NOT BE DISCLOSED TO OTHERS FOR ANY PURPOSE OR USED FOR MANUFACTURING PURPOSES WITHOUT WRITTEN PERMISSION FROM AMPHENOL CANADA CORP.

MATERIAL	DRAWN PAULW	DATE 06/03/14	Amphenol Canada Corp.				
	DESIGNED						
	CHECKED CHIGOW	06/03/14					
	I. E. APPRD.						
	Q. A. APPRD.						
FINISH	DWG. APPRD.		TITLE MODULAR JACK, SINGLE PORT 6 POSITION, NO SHIELD AND NO FLANGE - RoHS COMPLIANT				
	ENG. REL. NO.						
	REF.						
	DIMENSIONS ARE IN INCHES [mm]	CODE ID. NO. 03554			DWG. C	DRAWING NO. P-RJE02-16X-0X10	REV. A
					SCALE 5/1	WT. -----	SURF. -----