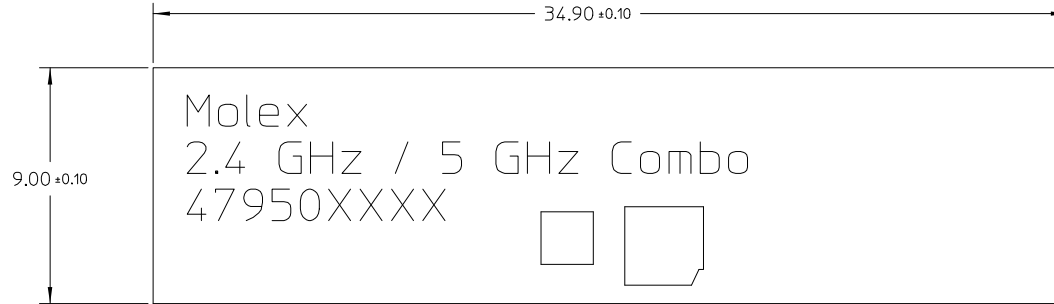
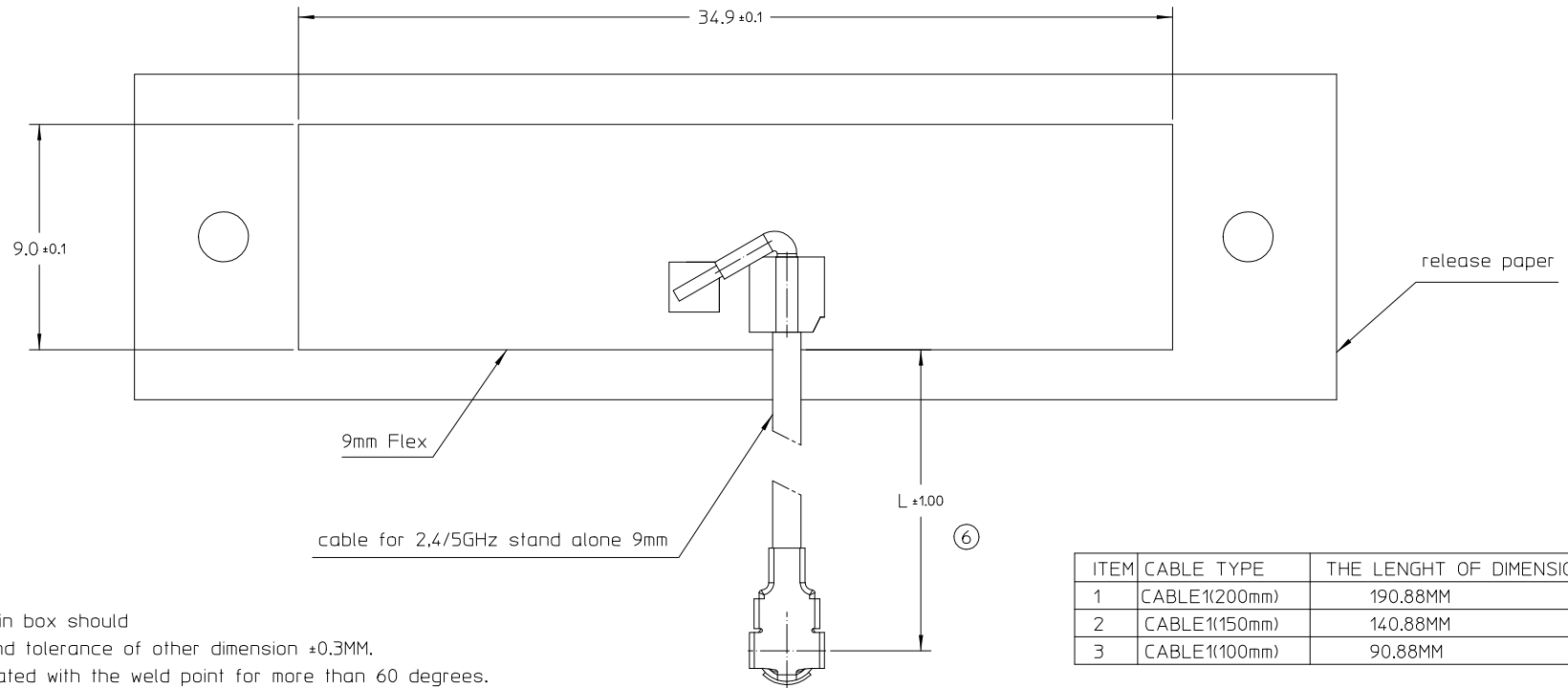


10	9	8	7	6	5	4	3	2	1	
Molex				Customer: Bostom			DRAWING LOCATION	CHANGE DESCRIPTION	AFFECTED DEPT	
DRAWING NO.	REV.	ECN NO.	DATE	P/N	P/N.	3D REV	2D REV			
SD-47950-001	C	ABU2012-0079	2013/05/27	479500001	-	-	-	ALL	Simply assy dims for SD drawings	AQP/ME/RF/PE/POP
SD-47950-001	D	ABU2014-0051	2014/02/21	479500001	-	-	-	ALL	CHANGE 150MM/200MM FLEX P/N	AQP/ME/RF/PE/POP
SD-47950-001	E	ABU2016-0025	2015/09/09	479500001				ALL	Change PSA material from 3M966 to 3M9077	AQP/ME/RF/PE/POP

NOTE:
 1. Material: Flex 34.9mm * 9mm
 Thickness:
 PSA: 3M9077
 Pl: 50um
 Base Copper: 18~20um
 2. COVER COAT: BLACK.



ENTER DESCRIPTION EC NO: ABU2016-0025 DRWN: Zlrao 2015/09/09 CHKD: Jack Shi 2015/09/09 APPR: Chris Yu 2015/09/09	QUALITY SYMBOLS 	GENERAL TOLERANCES (UNLESS SPECIFIED)		DIMENSION STYLE		SCALE 5:1	DESIGN UNITS MM	THIRD ANGLE PROJECTION	
		4 PLACES	±	mm	±	INCH	DRAWN BY Jack Shi 2015/09/09	DATE 2015/09/09	TITLE 2.4/5GHz stand alone 9mm Ant
		3 PLACES	±		±		CHECKED BY Zlrao 2015/09/09	DATE 2015/09/09	
		2 PLACES	±		±		APPROVED BY Chris Yu 2015/09/09		MOLEX INCORPORATED
		1 PLACE	±		±		MATERIAL NO. see the table of sheet 2	DOCUMENT NO. SD-47950-001	
		DRAFT WHERE APPLICABLE MUST REMAIN WITHIN DIMENSIONS		SIZE A3		THIS DRAWING CONTAINS INFORMATION THAT IS PROPRIETARY TO MOLEX INCORPORATED AND SHOULD NOT BE USED WITHOUT WRITTEN PERMISSION			



NOTE:
 1.The dimesndion with tolerance in box should be controlled by flex supplier and tolerance of other dimension $\pm 0.3\text{MM}$.
 2.The cable line can not be rotated with the weld point for more than 60 degrees.

ITEM	CABLE TYPE	THE LENGHT OF DIMENSION "L"
1	CABLE1(200mm)	190.88MM
2	CABLE1(150mm)	140.88MM
3	CABLE1(100mm)	90.88MM

ITEM	PART NAME	PN
1	CABLE1 for 2,4/5GHz stand alone (200mm)	479500005
	CABLE1 for 2,4/5GHz stand alone (150mm)	479500004
	CABLE1 for 2,4/5GHz stand alone (100mm)	479500003
2	FLEX1 for 2,4/5GHz stand 9mm	479500002
3	2,4/5GHz stand alone 9mm assy(CABLE100MM)	479500001
	2,4/5GHz stand alone 9mm assy(CABLE150MM)	479501001
	2,4/5GHz stand alone 9mm assy(CABLE200MM)	479502001

ENTER DESCRIPTION EC NO:ABU2016-0025 DRWN:Zlrao 2015/09/09 CHKD:Jack Shi 2015/09/09 APPR:Chris Yu 2015/09/09	QUALITY SYMBOLS $F=0$ $F=0$ $F=0$	GENERAL TOLERANCES (UNLESS SPECIFIED)		DIMENSION STYLE	SCALE	DESIGN UNITS	THIRD ANGLE PROJECTION
		mm	INCH	DRAWN BY DATE	5:1	MM	
E	DESCRIPTION REV	4 PLACES	\pm	\pm	Zlrao 2015/09/09	TITLE 2,4/5GHz stand alone 9mm Ant	MOLLEX MOLEX INCORPORATED
		3 PLACES	\pm	\pm	CHECKED BY DATE		
		2 PLACES	\pm	\pm	Jack Shi 2015/09/09		
		1 PLACE	\pm	\pm	APPROVED BY DATE		
		ANGULAR	\pm	$^{\circ}$	Chris Yu 2015/09/09	DOCUMENT NO.	
		DRAFT WHERE APPLICABLE MUST REMAIN WITHIN DIMENSIONS		MATERIAL NO.	SEE TABLE	SD-47950-001	SHEET NO. 2 OF 2
		SIZE A THIS DRAWING CONTAINS INFORMATION THAT IS PROPRIETARY TO MOLEX INCORPORATED AND SHOULD NOT BE USED WITHOUT WRITTEN PERMISSION					