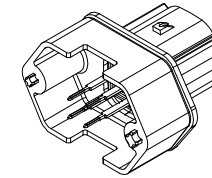
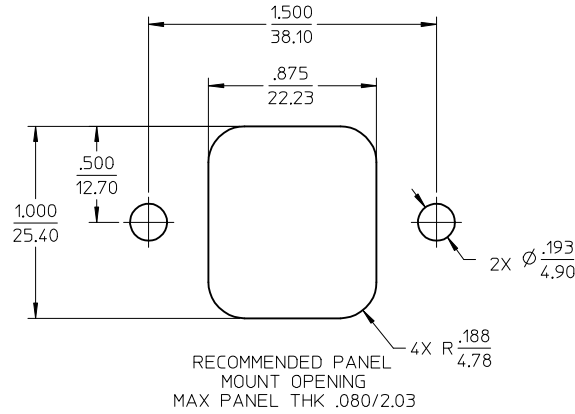
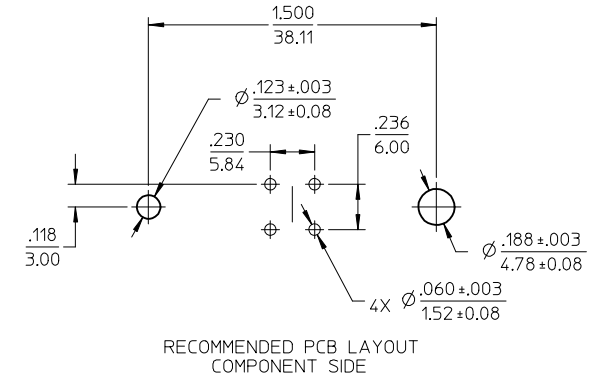
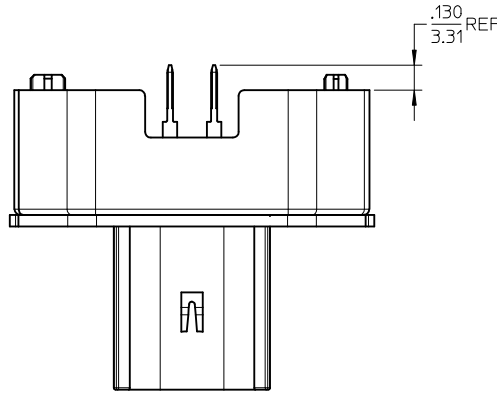


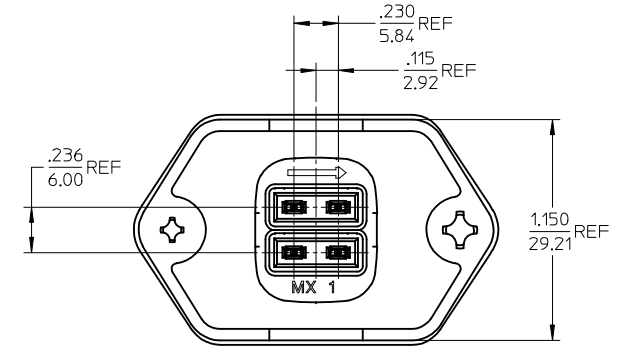
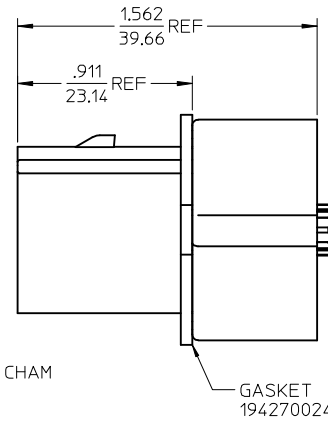
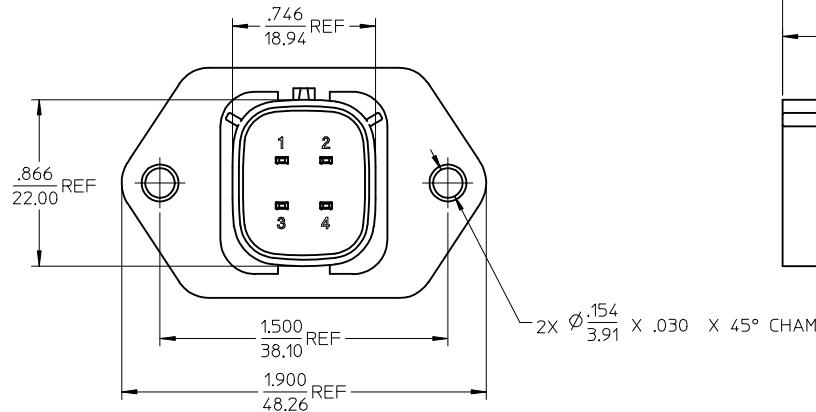
ASSEMBLY MATERIAL NUMBER	TERMINAL PLATING
194280006	TIN
194280019	TIN/GOLD



ASSEMBLED VIEW  
SCALE 1:1



RECOMMENDED PCB LAYOUT  
COMPONENT SIDE



NOTES:

- MATERIALS:  
HOUSING: POLYESTER (PBT), GLASS FILLED, UL94 V-0,  
COLOR: BLACK  
TERMINALS: COPPER ALLOY
- FINISHES: 1. TIN ONLY: 100µN TIN OVER 50µN NICKEL  
2. TIN/GOLD: 30µN SELECT GOLD (CONTACT MATING AREA),  
100µN SELECT TIN (PCB TAIL AREA) OVER 50µN NICKEL OVERALL.
- PRODUCT SPECIFICATION: PS-19428-001.
- PACKAGING SPECIFICATION: PK-19428-001.
- MATES WITH: 19418 SERIES RECEPTACLE ASSEMBLIES.
- RECOMMENDED MOUNTING HARDWARE: (2)#10 X .62/18.9 LONG PLASTIC  
THREAD CUTTING SCREWS. RECOMMENDED TORQUE 15-17 IN-LBS.  
SUGGESTED SOURCE: ITW SHAKEPROOF INDUSTRIAL BOSSCREW OR EQUIVALENT.

REVISED EC NO: ETC2006-0028 DRWN: JPAWLICK 2005/10/10 CHKD: JPAWLICK 2005/10/11 APPR: RDEROSS 2005/10/11	DESCRIPTION	QUALITY SYMBOLS	GENERAL TOLERANCES (UNLESS SPECIFIED)	DIMENSION STYLE	SCALE	DESIGN UNITS	THIRD ANGLE PROJECTION
		$\nabla=0$ $\nabla=0$		IN/MM	2:1	INCH	
B	REV	DESCRIPTION	mm	DRAWN BY	DATE	TITLE	DOCUMENT NO.
			INCH	DMYRICK	04/07/01		
B	REV	DESCRIPTION	4 PLACES ± --- ± ---	CHECKED BY	DATE	MOLEX MOLEX INCORPORATED	SD-19428-011
			3 PLACES ± --- ± .015	JPAWLICK	04/07/01		
B	REV	DESCRIPTION	2 PLACES ± 0.38 ± ---	APPROVED BY	DATE	SHEET NO.	1 OF 1
			1 PLACE ± --- ± ---	RDEROSS	04/07/01		
			ANGULAR ± 1 °	MATERIAL NO.			
			DRAFT WHERE APPLICABLE MUST REMAIN WITHIN DIMENSIONS	SEE CHART			
				SIZE	THIS DRAWING CONTAINS INFORMATION THAT IS PROPRIETARY TO MOLEX INCORPORATED AND SHOULD NOT BE USED WITHOUT WRITTEN PERMISSION		