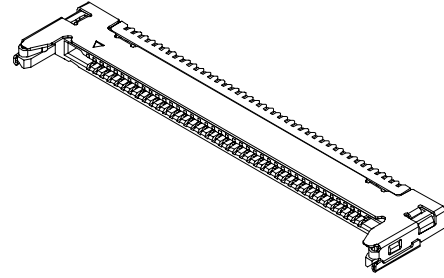
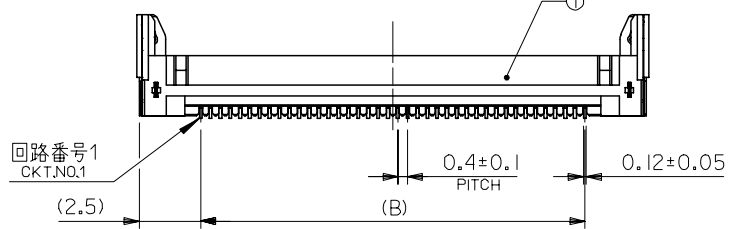
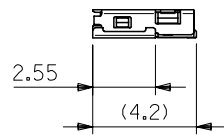
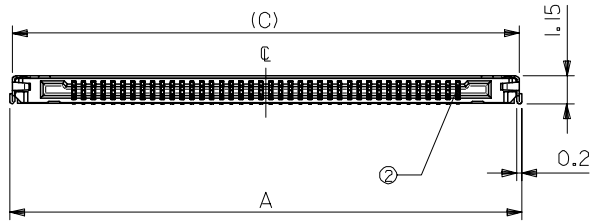
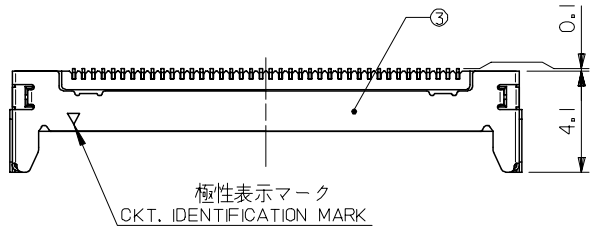


10 9 8 7 6 5 4 3 2 1

番号 NO.	部品 PART NAME	材料/仕上げ MATERIAL/ FINISH
①	ハウジング HOUSING	ガラス入り耐熱樹脂、黒色、UL94V-0 G.F.HEAT RESISTANT PLASTIC, BLACK, UL94V-0
②	ターミナル TERMINAL	銅合金 COPPER ALLOY 接点部 : 金メッキ0.2μm MIN. CONTACT AREA : GOLD 0.2μm MIN. テール部 : 金メッキ0.4μm MAX. TAIL AREA : GOLD 0.4μm MAX. 下地めっき : ニッケルメッキ1.5μm MIN. UNDER PLATING : NICKEL 1.5μm MIN.
③	シェル SHELL	ステンレス鋼 STAINLESS STEEL 半田付け処理 SOLDERABILITY IMPROVEMENT COAT (Au COAT) 下地めっき : ニッケルメッキ1.0μm MIN. UNDER PLATING : NICKEL 1.0μm MIN.



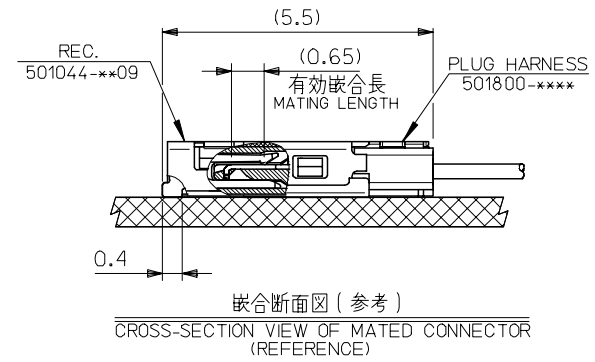
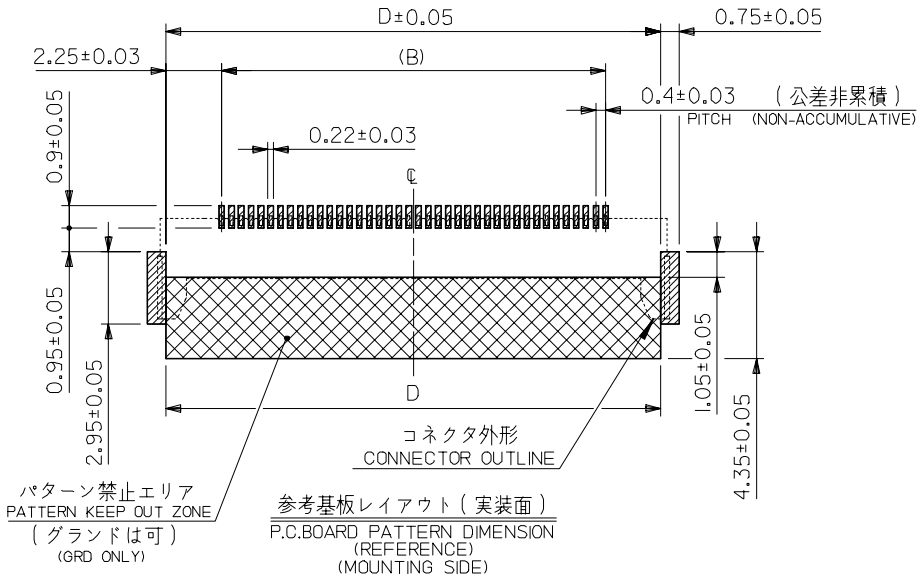
注記
NOTES

- 1. テール及びネールの平坦度は0.1MAX.
TAIL AND NAIL COPLANARITY TO BE 0.1MAX.

24.1	24.6	19.6	24.8	501044-5009	50
20.1	20.6	15.6	20.8	501044-4009	40
16.1	16.6	11.6	16.8	501044-3009	30
D	C	B	A	製品番号 MATERIAL NO.	極数 CKT.
				MODEL NO.	501044-**09

REVISED EC NO.: J2007-1019 DRWNGYORIFUJII 2006/10/06 CHKD:TKANEKO 2006/10/06 APPR:TKANEKO 2006/10/10	DESCRIPTION G	GENERAL TOLERANCES (UNLESS SPECIFIED)		DIMENSION STYLE MM ONLY		SCALE 5:1	DESIGN UNITS METRIC	THIRD ANGLE PROJECTION	
		10 UNDER	±0.2	DRAWN BY KTAKETOMI	DATE 2004/02/10	TITLE 0.4 WIRE TO BOARD CONN. REC. HOUSING ASSEMBLY SIDE ENTRY -LEAD FREE-		MOLEX INCORPORATED	
10 ^{OVER} 30 UNDER	±0.25	CHECKED BY TKANEKO	DATE 2004/02/10	APPROVED BY AHORINO		DATE 2004/02/10	DOCUMENT NO. SD-501044-001		
30 ^{OVER}	±0.3	ANGULAR ±3 °		MATERIAL NO. SEE CHART		MATERIAL NO. SD-501044-001		SHEET NO. 1 OF 2	
DRAFT WHERE APPLICABLE MUST REMAIN WITHIN DIMENSIONS		SIZE A3		THIS DRAWING CONTAINS INFORMATION THAT IS PROPRIETARY TO MOLEX INCORPORATED AND SHOULD NOT BE USED WITHOUT WRITTEN PERMISSION					

10 9 8 7 6 5 4 3 2 1



F

E

D

C

B

A

F

E

D

C

B

A

REVISED EC NO: J2007-1019 DRWNG: RIFUJI 2006/10/06 CHKD: TKANEKO 2006/10/06 APPR: TKANEKO 2006/10/10 G	DESCRIPTION GENERAL TOLERANCES (UNLESS SPECIFIED) 10 ^{UNDER} ±0.2 10 ^{OVER} 30 ^{UNDER} ±0.25 30 ^{OVER} ±0.3 ANGULAR ±3 ° DRAFT WHERE APPLICABLE MUST REMAIN WITHIN DIMENSIONS	DIMENSION STYLE MM ONLY	SCALE 5:1	DESIGN UNITS METRIC	THIRD ANGLE PROJECTION		
		DRAWN BY KTAKETOMI	DATE 2004/02/10	TITLE 0.4 WIRE TO BOARD CONN. REC. HOUSING ASSEMBLY SIDE ENTRY -LEAD FREE-			
		CHECKED BY TKANEKO	DATE 2004/02/10	MOLEX INCORPORATED			
		APPROVED BY AHORINO	DATE 2004/02/10	MATERIAL NO. SEE 1 OF 2	DOCUMENT NO. SD-501044-001	SHEET NO. 2 OF 2	
		THIS DRAWING CONTAINS INFORMATION THAT IS PROPRIETARY TO MOLEX INCORPORATED AND SHOULD NOT BE USED WITHOUT WRITTEN PERMISSION					

9

8

7

6

5

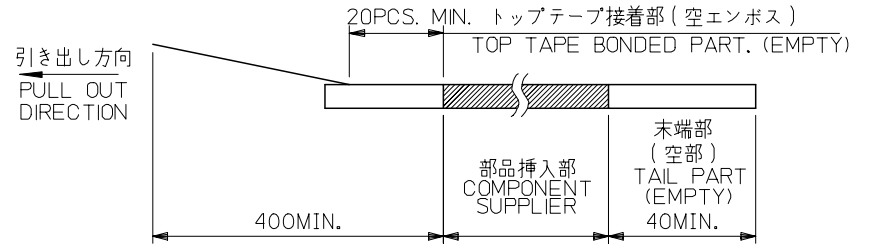
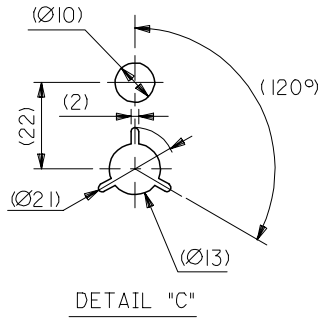
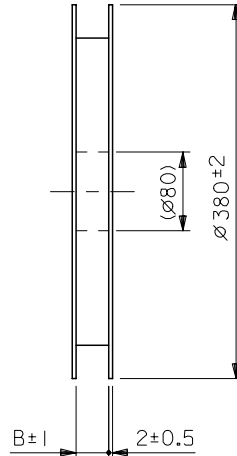
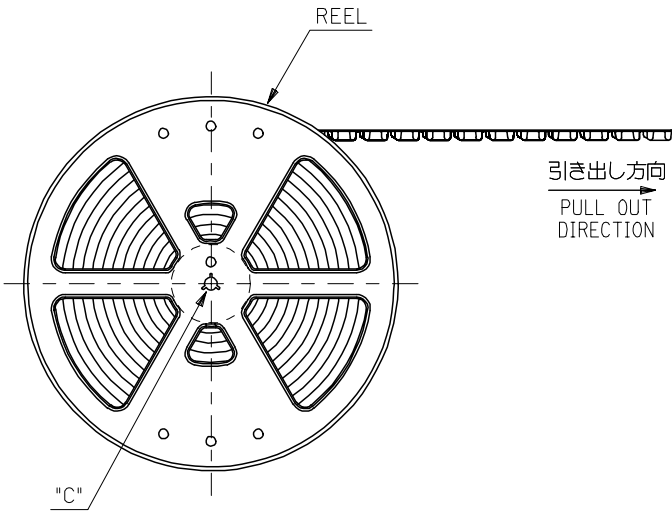
4

3

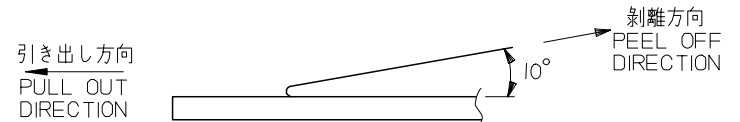
2

注記 NOTES

- 製品詳細寸法については図面 SD-501044-001 を参照下さい。
RE DETAILED DIMENSION, SEE SD-501044-001
- 梱包数量: 3500 個/リール
NUMBER OF CONNECTORS: 3500PCS/REEL
- リードテープ長さ LEAD TAPE LENGTH



- トップテープの剥離強度: 0.1N~0.7N(10.2gf~71.4gf)
(剥離方向は下図参照)
尚、本規格値は出荷時に適用。(但し、輸送時に剥離が発生しないこと。)
PEELING OFF FORCE OF TOP TAPE: 0.1N~0.7N(10.2gf~71.4gf)
(PEELING DIRECTION AS SHOWN IN FOLLOWING FIG.)
THIS REQUIREMENT SHOULD BE APPLIED AT SHIPMENT.
PEEL OFF SHOULD NOT BE ALLOWED, DURING TRANSPORTION.



- 材料 MATERIAL
キャリアテープ (CARRIER TAPE): ホリプロビレン(POLYPROPYLENE)
トップテープ (TOP TAPE): PET, PE, PEF
リール (REEL): ホリスチレン (PS) <リサイクル材を含む>
POLYSTYRENE (PS) <RECYCLE MATERIAL CONTAINED>

MODEL NO. 501044-**10

REVISED EC NO: J2007-1508 DRWNGYORIFUJI 2006/11/27 CHKD:TKANEKO 2006/11/27 APPR:TKANEKO 2006/11/27	GENERAL TOLERANCES (UNLESS SPECIFIED)		DIMENSION STYLE MM ONLY		SCALE 1:1	DESIGN UNITS METRIC	THIRD ANGLE PROJECTION	
	10 UNDER	± 0.2	DRAWN BY KTAKETOMI	DATE 2004/12/10	TITLE 0.4 W/B CONN. REC. HSG ASSY SIDE ENTRY EMBOSSSED TAPE PACKAGE			
	10 OVER 30 UNDER	± 0.25	CHECKED BY TKANEKO	DATE 2004/12/10	MOLEX INCORPORATED			
	30 OVER	± 0.3	APPROVED BY AHORINO	DATE 2004/12/10	DOCUMENT NO. SD-501044-002			
	ANGULAR	± 3 °	MATERIAL NO. SEE CHART		SHEET NO. 1 OF 3			
A	DRAFT WHERE APPLICABLE MUST REMAIN WITHIN DIMENSIONS		SIZE A3		THIS DRAWING CONTAINS INFORMATION THAT IS PROPRIETARY TO MOLEX INCORPORATED AND SHOULD NOT BE USED WITHOUT WRITTEN PERMISSION			

10 9 8 7 6 5 4 3 2 1

F

E

D

C

B

A

F

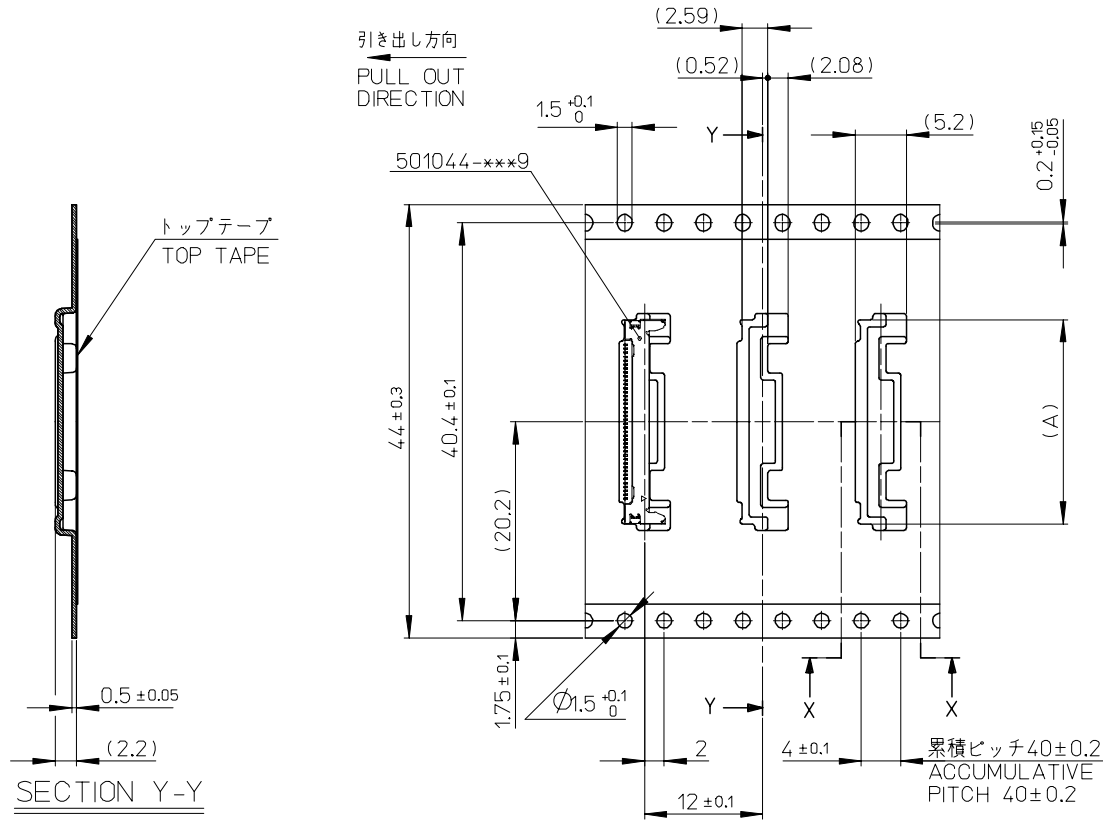
E

D

C

B

A



44mm幅キャリアテープ
44mm WIDTH CARRIER TAPE

44	45.5	24.74	501044-5010	50
		20.74	501044-4010	40
キャリアテープ幅 CARRIER TAPE WIDTH	B	(A)	製品番号 MATERIAL NO.	極数 CKT.
			MODEL NO.	501044-**10

REVISED EC NO: J2007-1508 DRWNGYR/FUJI 2006/11/27 CHKD:TKANEKO 2006/11/27 APPR:TKANEKO 2006/11/27	GENERAL TOLERANCES (UNLESS SPECIFIED)		DIMENSION STYLE MM ONLY		SCALE 1:1	DESIGN UNITS METRIC	THIRD ANGLE PROJECTION
	10 UNDER	±0.2	DRAWN BY KTAKETOMI	DATE 2004/12/10	TITLE 0.4 W/B CONN. REC. HSG ASSY SIDE ENTRY EMBOSSSED TAPE PACKAGE		
	10 OVER 30 UNDER	±0.25	CHECKED BY TKANEKO	DATE 2004/12/10	MOLEX INCORPORATED		
	30 OVER	±0.3	APPROVED BY AHORINO	DATE 2004/12/10	MATERIAL NO.		
	ANGULAR	±3 °	DRAFT WHERE APPLICABLE MUST REMAIN WITHIN DIMENSIONS		SEE CHART	DOCUMENT NO. SD-501044-002	SHEET NO. 2 OF 3

9

8

7

6

5

4

3

2

10 9 8 7 6 5 4 3 2 1

F

E

D

C

B

A

F

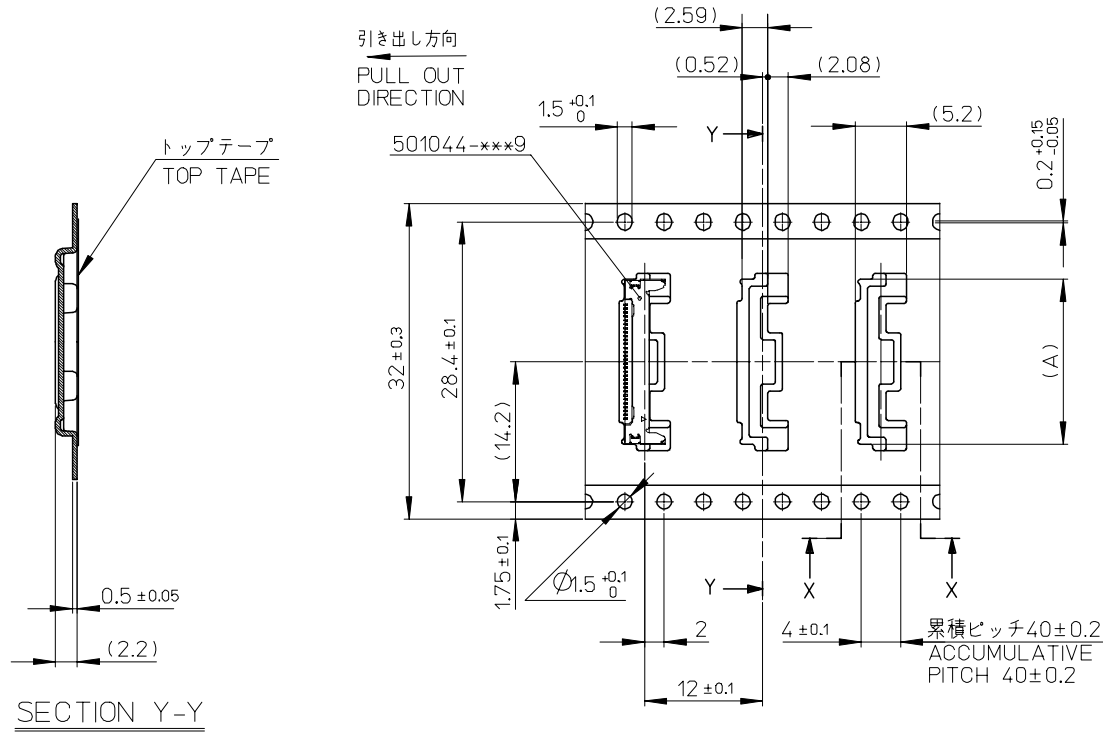
E

D

C

B

A



32mm幅キャリアテープ
32mm WIDTH CARRIER TAPE

32	33.5	16.74	501044-3010	30
キャリアテープ幅 CARRIER TAPE WIDTH	B	(A)	製品番号 MATERIAL NO.	極数 CKT.
MODEL NO.			501044-***10	

REVISED EC NO: J2007-1508 DRWNG: YRIFUJI 2006/11/27 CHKD: TKANEKO 2006/11/27 APPR: TKANEKO 2006/11/27	GENERAL TOLERANCES (UNLESS SPECIFIED)		DIMENSION STYLE MM ONLY	SCALE 1:1	DESIGN UNIT'S METRIC	THIRD ANGLE PROJECTION
	10 UNDER	± 0.2	DRAWN BY KTAKETOMI	DATE 2004/12/10	TITLE 0.4 W/B CONN. REC. HSG ASSY SIDE ENTRY EMBOSSSED TAPE PACKAGE	
	10 OVER 30 UNDER	± 0.25	CHECKED BY TKANEKO	DATE 2004/12/10	MOLEX INCORPORATED	
	30 OVER	± 0.3	APPROVED BY AHORINO	DATE 2004/12/10	SHEET NO. 3 OF 3	
ANGULAR ± 3 °		DRAFT WHERE APPLICABLE MUST REMAIN WITHIN DIMENSIONS		MATERIAL NO. SEE CHART		DOCUMENT NO. SD-501044-002
THIS DRAWING CONTAINS INFORMATION THAT IS PROPRIETARY TO MOLEX INCORPORATED AND SHOULD NOT BE USED WITHOUT WRITTEN PERMISSION						