

4

3

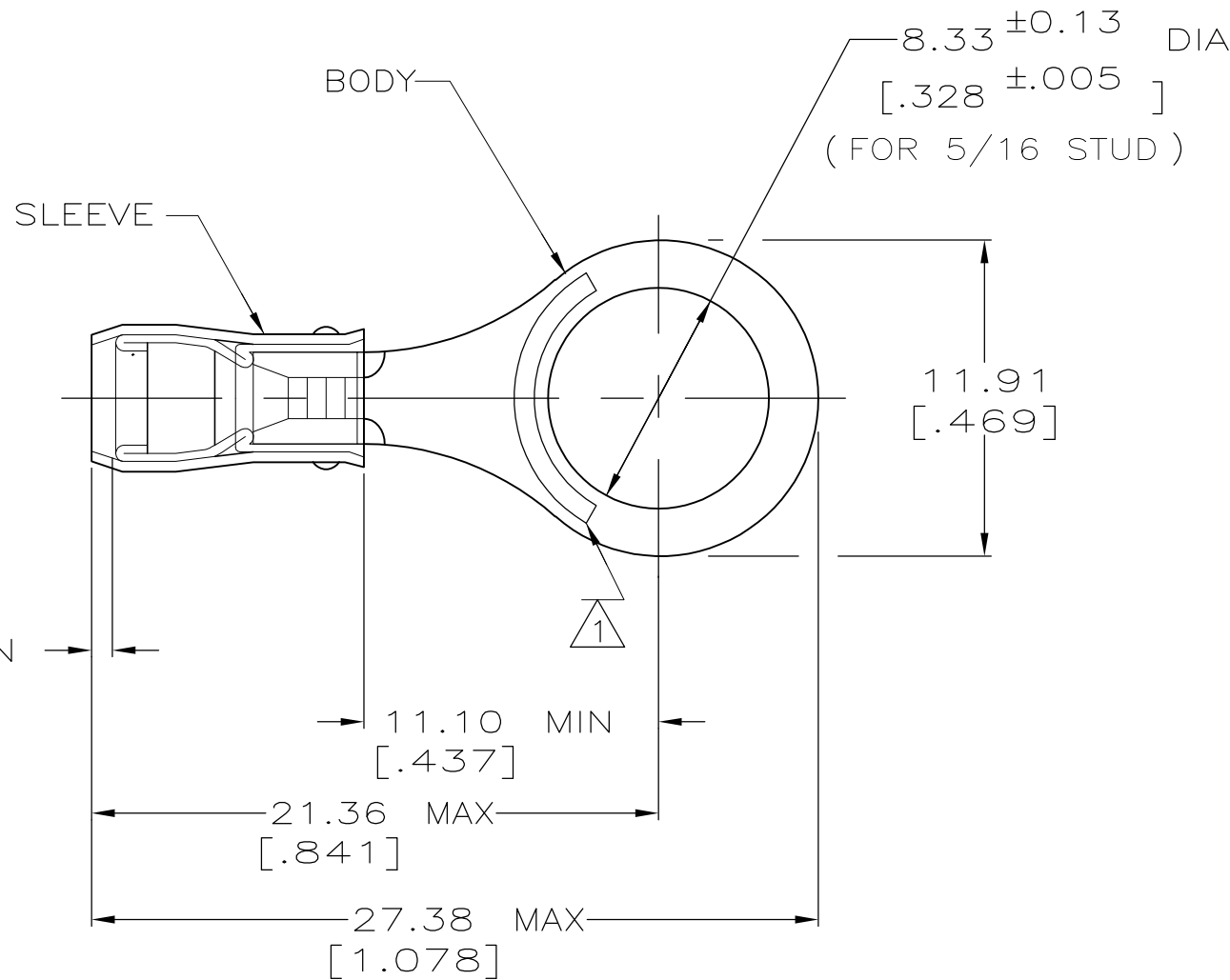
2

1

THIS DRAWING IS UNPUBLISHED. RELEASED FOR PUBLICATION - , - .
 © COPYRIGHT - By - ALL RIGHTS RESERVED.

LOC	DIST	REVISIONS			
P	LTR	DESCRIPTION	DATE	DWN	APVD
G	14	AA1	REVISED PER ECO-11-004820	11MAR11	RK HMR

AMP WIRE RANGE	E13288 Listed	LR7189 Certified
22-16 AWG SOLID OR STRANDED	22-16 AWG SOLID OR STRANDED	22-16 AWG SOLID OR STRANDED



- 1 STAMP AMP 22-18* APPROX AS SHOWN
22-16 TERMINALS ARE STAMPED 22-18 IN
ACCORDANCE WITH MILITARY SPEC MIL-T-7928
COMMERCIAL WIRE RANGE IS 22-16
- 2 WIRE INSULATION DIA: 2.03-3.18 [.080-.125]
- 3 TONGUE MATERIAL THK: 0.79±0.05 [.031±.002]

MILITARY P/N AND CLASS	QUANTITY	PACKAGE TYPE	PART NO
-	100	LOOSE PIECE, BOX	8-320572-1
MS25036-104 CLASS 2	5000	ON TAPE, REEL	2-320572-1
MS25036-104 CLASS 1 & 2	1000	LOOSE PIECE	320572

AMP INCORPORATED CUSTOMER SERVICE SYSTEMS		MAX RECOMMENDED OPERATING TEMPERATURE: 105° C MAX
FOR ADDITIONAL PRODUCT INFORMATION OR COPIES OF DRAWINGS AND TECHNICAL DOCUMENTS	PRODUCT INFORMATION CENTER 1-800-522-6752	VOLTAGE RATING: 300 V MAX
FOR APPLICATION TOOLING INFORMATION	TOOLING ASSISTANCE CENTER 1-800-722-1111	CIRCULAR MIL AREA: 0.26-1.65mm ² [509-3,260] CIR MILS SOLID OR STRANDED
FOR ORDER ENTRY	1-800-526-5142	THIS DRAWING IS A CONTROLLED DOCUMENT FOR AMP INCORPORATED. IT IS SUBJECT TO CHANGE AND THE CONTROLLING ENGINEERING ORGANIZATION SHOULD BE CONTACTED FOR THE LATEST REVISION.

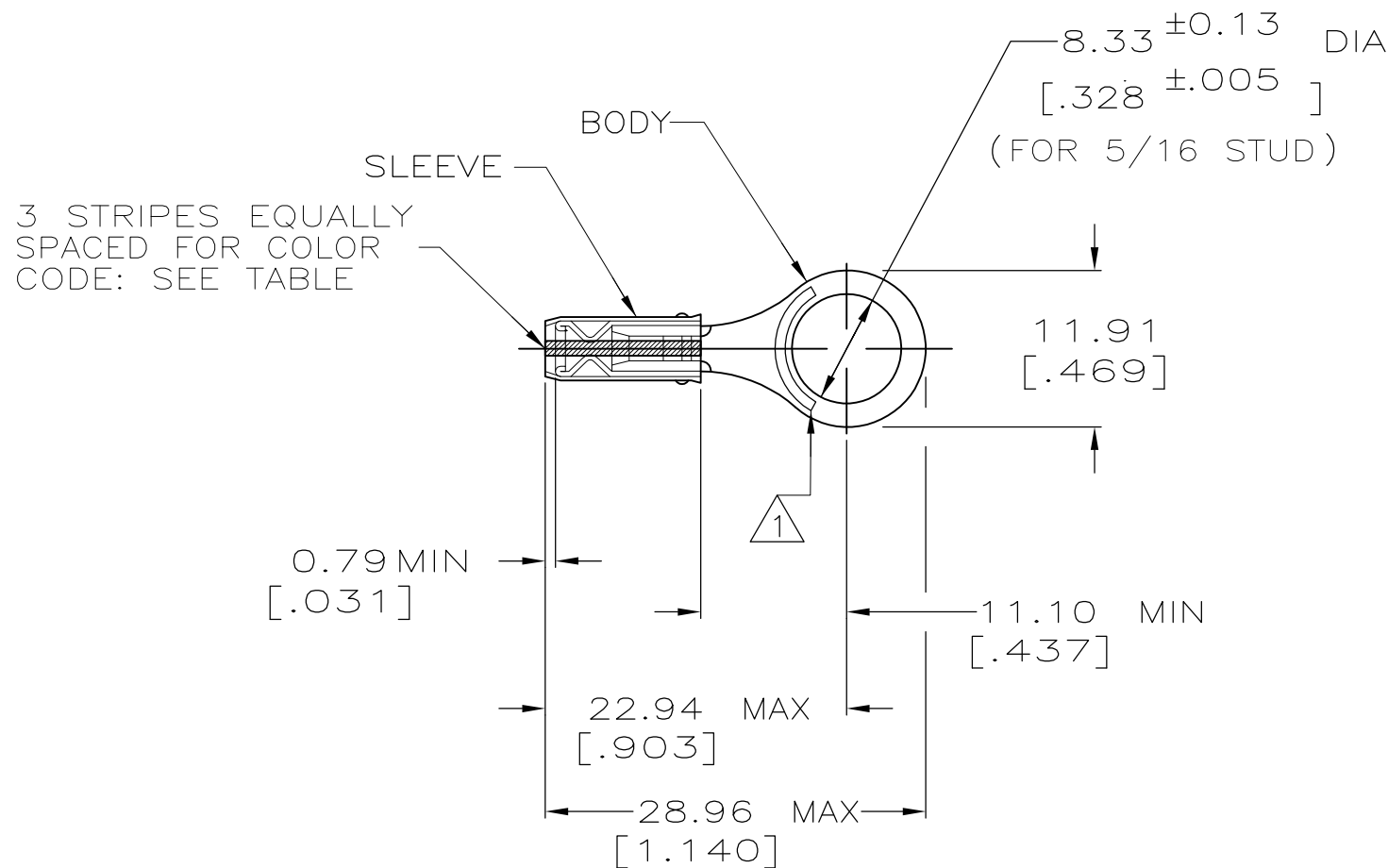
THIS DRAWING IS A CONTROLLED DOCUMENT.		DWN DK SCHRUM 9/8/93	TE Connectivity	
DIMENSIONS: mm[INCHES]		CHK RE HERSEY 9/8/93		
TOLERANCES UNLESS OTHERWISE SPECIFIED:		APVD ML ELLIS 9/8/93	NAME TERMINAL, RING TONGUE, PIDG™, WIRE SIZE, 22-16 AWG	
0 PLC ± - 1 PLC ± - 2 PLC ± 0.20[.008] 3 PLC ± - 4 PLC ± - ANGLES ± -		PRODUCT SPEC -	APPLICATION SPEC NOT AVAILABLE	
MATERIAL COPPER PER ASTM B-152 SLEEVE, RED NYLON	FINISH TIN PLATE PER ASTM B 545	WEIGHT -	SIZE A3	CAGE CODE 00779
CUSTOMER DRAWING			DRAWING NO C-320572	RESTRICTED TO -
			SCALE NTS	SHEET 1 OF 2
			REV AA1	

THIS DRAWING IS UNPUBLISHED. RELEASED FOR PUBLICATION
 © COPYRIGHT - By - ALL RIGHTS RESERVED.

LOC	DIST	REVISIONS			
P	LTR	DESCRIPTION	DATE	DWN	APVD
G	14	-	SEE SHEET 1	-	-

AMP
WIRE RANGE

SEE TABLE
STRANDED



- 1 STAMP AMP APPROX AS SHOWN SEE TABLE BELOW
- 2 WIRE INSULATION DIA: 0.97 - 2.79 FOR 22 AWG [.038 - .110]
1.17 - 2.79 FOR 20 AWG [.046 - .110]
1.42 - 2.79 FOR 18 AWG [.056 - .110]
- 3 TONGUE MATERIAL THK: 0.79±0.05 [.031±.002]
- 4 PRELIMINARY - NOT FOR PRODUCTION

MILITARY P/N AND CLASS	STRIPE COLOR	STAMPING	WIRE SIZE	QUANTITY	PACKAGE TYPE	PART NO
-	WHITE	18*	18	5000	ON TAPE	4 2-320572-7
M7928/1-35 CLASS 1 & 2	WHITE	18*	18	1000	LOOSE PIECE	2-320572-4
M7928/1-26 CLASS 1 & 2	RED	20*	20	1000	LOOSE PIECE	2-320572-3
M7928/1-17 CLASS 1 & 2	GREEN	22*	22	1000	LOOSE PIECE	2-320572-2

AMP INCORPORATED
CUSTOMER SERVICE SYSTEMS

FOR ADDITIONAL PRODUCT INFORMATION OR COPIES OF DRAWINGS AND TECHNICAL DOCUMENTS
 PRODUCT INFORMATION CENTER
1-800-522-6752

FOR APPLICATION TOOLING INFORMATION
 TOOLING ASSISTANCE CENTER
1-800-722-1111

FOR ORDER ENTRY
 1-800-526-5142

MAX RECOMMENDED OPERATING TEMPERATURE: 105° C MAX

VOLTAGE RATING: 300 V MAX

WIRE RANGE: CIRC MIL AREA

22	0.38mm ² [754]
20	0.60mm ² [1,186]
18	0.96mm ² [1,900]

STRANDED

THIS DRAWING IS A CONTROLLED DOCUMENT FOR AMP INCORPORATED. IT IS SUBJECT TO CHANGE AND THE CONTROLLING ENGINEERING ORGANIZATION SHOULD BE CONTACTED FOR THE LATEST REVISION.

THIS DRAWING IS A CONTROLLED DOCUMENT.

DIMENSIONS: mm[INCHES]

TOLERANCES UNLESS OTHERWISE SPECIFIED:

0 PLC	± -
1 PLC	± -
2 PLC	± 0.20[.008]
3 PLC	± -
4 PLC ANGLES	± -

MATERIAL: COPPER PER ASTM B-152 SLEEVE, RED NYLON

FINISH: TIN PLATE PER ASTM B 545

AMP INCORPORATED

DK SCHRUM 9/8/93
 RE HERSEY 9/8/93
 ML ELLIS 9/8/93

TE Connectivity

NAME: TERMINAL, RING TONGUE, I.R., PIDG™, WIRE SIZE: 22-16 AWG

APVD: ML ELLIS 9/8/93

APPLICATION SPEC: NOT AVAILABLE

WEIGHT: -

SIZE: A3 CAGE CODE: 00779 DRAWING NO: C-320572 RESTRICTED TO: -

CUSTOMER DRAWING SCALE: NTS SHEET: 2 OF 2 REV: AA1