

Panasonic

**Metallized Film Capacitor
for Digi-Key**

April, 2005

Panasonic

Metallized Film Capacitors



- The ratings in the Charts are Typical Ratings.
For details, please contact our local sales offices.
- Specifications are subjects to change without notice.

Panasonic Industrial Company

Two Panasonic Way, 7E-6
Secaucus, NJ 07094, USA

Tel: 201. 392. 4539

Fax: 201. 392. 4888

http://www.panasonic.com/industrial/appliance/appliance_ac_film_caps_home.htm

Panasonic Electronic Devices Toyama Company Limited

3, Miyamaru, Tonami City, Toyama, 939-1352, Japan

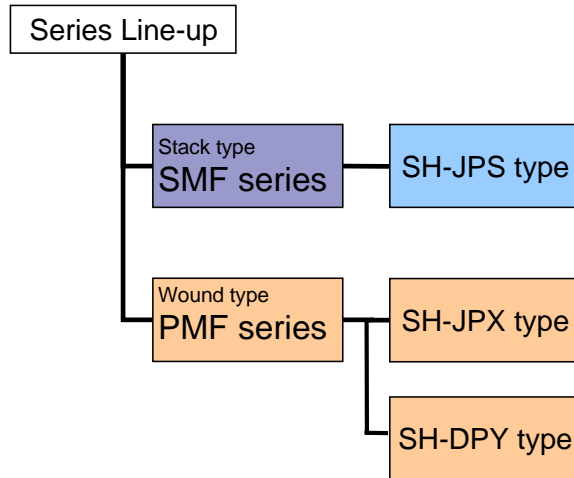
Tel: +81-763-33-5451

Fax: +81-763-33-5833

<http://www.mie.panasonic.co.jp/english/toyama/index.html>

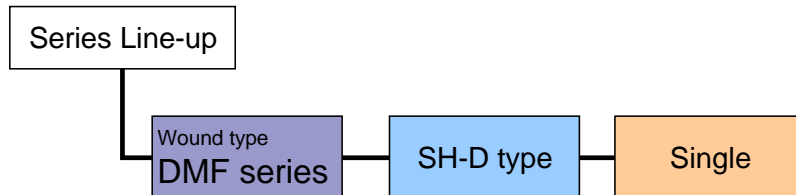
Dry Box type Line-up

Metallized Film Capacitors for Electrical Apparatus



Oil-Wound type Line-up

Metallized Film Capacitors for Electrical Apparatus



Dry Stack type

SMF series (SH-JPS type)

Metallized polyester film (Double side) and polypropylene film

**■ Features**

- ◆ Self protecting function built-in.
- ◆ Flame-retardant plastic case with Epoxy fill. (UL94V-0)
- ◆ Small and compact.

■ Specification

- ◆ Standard : UL810 (File No. E76560)
CSA (File No. LR99617)
- ◆ Capacitance : -5 to +10 %
- ◆ Tolerance : -25 to +70 °C
- ◆ Temperature Range : More than 1000 MΩ
- ◆ Insulation Resistance : Less than 0.4 %
- ◆ Dissipation Factor
- ◆ Withstand voltage : 1.75 x rated voltage for 60 sec.
Between terminal : 2 x rated voltage for 60 sec. (min.2000V)
Terminal to case

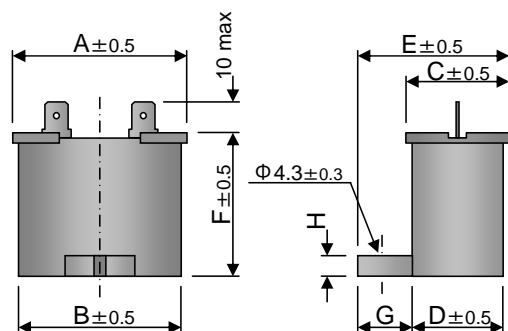
■ Applications (ex.)

- ◆ Motor run applications
- ◆ Washing machine
- ◆ Refrigerator (Compressor / Fan motor)
- ◆ Fan motors
- ◆ Lighting (Power factor improvement)

Dry Stack type

SMF series (SH-JPS type)

■ Rating and Dimension



VOLT. (VAC)	CAP. (MFD)	DIMENSION (mm)								Factory Code	UL Code
		A	B	C	D	E	F	G	H		
180	7.5	39.5	38.0	17.5	16.0	28.0	30.5	11	4	JS181755-AA	JSU18X755AQF
	10	39.5	38.0	22.0	20.5	32.5	30.5	11	4	JS181106-AA	JSU18X106AQJ
	12	39.5	38.0	22.0	20.4	34.2	32.0	13	4	JS181126-AA	JSU18X126AQH
	15	39.5	38.0	26.7	25.2	37.0	32.0	11	4	JS181156-AA	JSU18X156AQP
	20	39.5	38.0	26.7	25.2	37.0	41.0	11	4	JS181206-AA	JSU18X206AQD
210	8	39.5	38.0	22.0	20.5	32.5	30.5	11	4	JS211805-AA	JSU21X805AQA
	10	39.5	38.0	22.0	20.4	34.2	32.0	13	4	JS211106-AA	JSU21X106AQB
	12	39.5	38.0	26.7	25.2	37.0	32.0	11	4	JS211126-AA	JSU21X126AQE
	15	39.5	38.0	26.7	25.2	37.0	41.0	11	4	JS211156-AA	JSU21X156AQH
230	10	39.5	38.0	26.7	25.2	37.0	32.0	11	4	JS231106-AA	JSU23X106AQC
	12	39.5	38.0	26.7	25.2	37.0	41.0	11	4	JS231126-AA	JSU23X126AQE
	15	50.2	48.0	26.7	25.2	37.0	36.0	11.5	5	JS231156-AA	JSU23X156AQE

Dry Wound type

PMF series (SH-JPX type, SH-DPY type)

Metallized polypropylene film



■ Features

- ◆ Self protecting function built-in.
- ◆ Flame-retardant plastic case with Epoxy fill. (UL94V-0)
- ◆ Small and compact.

■ Specification

- ◆ Standard : UL810 (File No. E76560)
- ◆ Capacitance Tolerance : -5 to +10 %
- ◆ Temperature Range : -25 to +70 °C
- ◆ Insulation Resistance : More than 1000 MΩ
- ◆ Dissipation Factor : Less than 0.3 %
- ◆ Withstand voltage
 - Between terminal : 1.75 x rated voltage for 60 sec.
 - Terminal to case : 2 x rated voltage for 60 sec. (min.2000V)

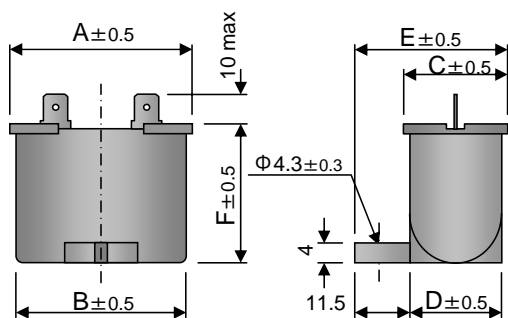
■ Applications (ex.)

- ◆ Motor run applications
- ◆ Washing machine
- ◆ Refrigerator (Compressor / Fan motor)
- ◆ Fan motors
- ◆ Lighting (Power factor improvement)

Dry Wound type

PMF series (250V:SH-JPX type, 440V:SH-DPY)

■ Rating and Dimension



VOLT. (VAC)	CAP. (MFD)	DIMENSION (mm)						Factory Code	UL Code (250V) VDE Code(440V)
		A	B	C	D	E	F		
250	10	49.7	48.3	24.0	22.5	34.5	34.5	JS251106-BA	SPU25X106AQSD
	12	50.0	48.5	26.7	25.3	37.5	38.0	JS251126-BA	SPU25X126AQSA
	15	50.0	48.5	30.5	28.8	41.0	41.5	JS251156-BA	SPU25X156AQSA
440	4	49.7	48.3	24.0	22.5	34.5	34.5	DS441405-BA	441405A
	5	50.0	48.5	26.7	25.3	37.5	38.0	DS441505-BA	441505A
	6	50.0	48.5	30.5	28.8	41.0	41.5	DS441605-BA	441605A

Oil Wound type

DMF series (SH-D type) - Single

Metallized polypropylene film



■ Features

- ◆ Self protecting built-in.
- ◆ Low-Loss and inherent temperature rise
- ◆ Small and compact.

■ Specification

- ◆ Standard : UL810 (File No. E76560)
EIA
- ◆ Capacitance Tolerance : -5 to +10 %
- ◆ Temperature Range : -25 to +70 °C
- ◆ Insulation Resistance : More than 1000 MΩ
- ◆ Dissipation Factor : Less than 0.3 %
- ◆ Withstand voltage
 - Between terminal : 1.75 x rated voltage for 60 sec.
 - Terminal to case : 2 x rated voltage for 60 sec. (min.2000V)

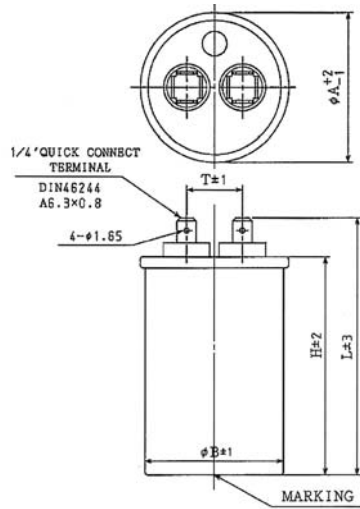
■ Applications (ex.)

- ◆ Motor run applications (Air conditioner / Refrigerator)
- ◆ Motor start applications

Oil Wound type

DMF series (SH-D type) - Single

■ Rating and Dimension



VOLT. (VAC)	CAP. (MFD)	DIMENSION (mm)					Factory Code	UL Code
		A	B	H	L	T		
370	15	43.0	41.0	80	93	16	DS371156-CA	BUM37X1505A
	20	43.0	41.0	90	103	16	DS371206-CA	BUM37X2005A
	25	43.0	41.0	100	113	16	DS371256-CA	BUM37X2505A
	30	43.0	41.0	110	123	16	DS371306-CA	BUM37X3005A
	35	48.0	45.0	100	113	18	DS371356-CA	BUM37X3505B
	40	48.0	45.0	110	123	18	DS371406-CA	BUM37X4005B
	45	53.0	50.5	100	113	18	DS371456-CA	BUM37X4505C
	50	53.0	50.5	110	123	18	DS371506-CA	BUM37X5005C