

1

2

3

4

A

A

B

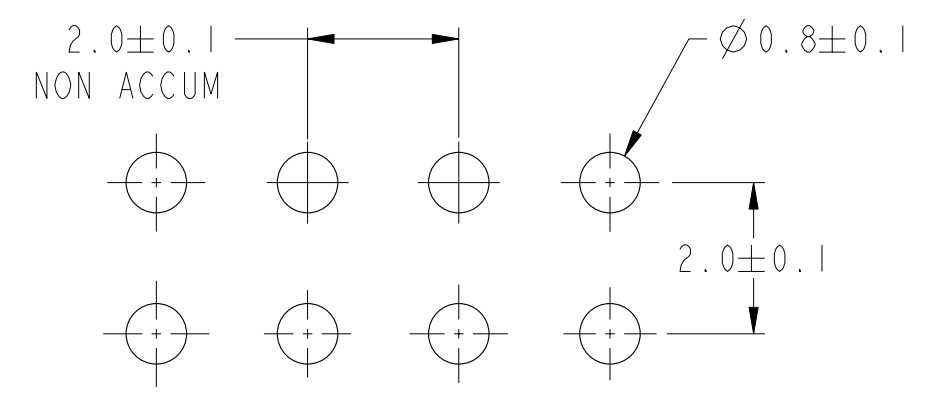
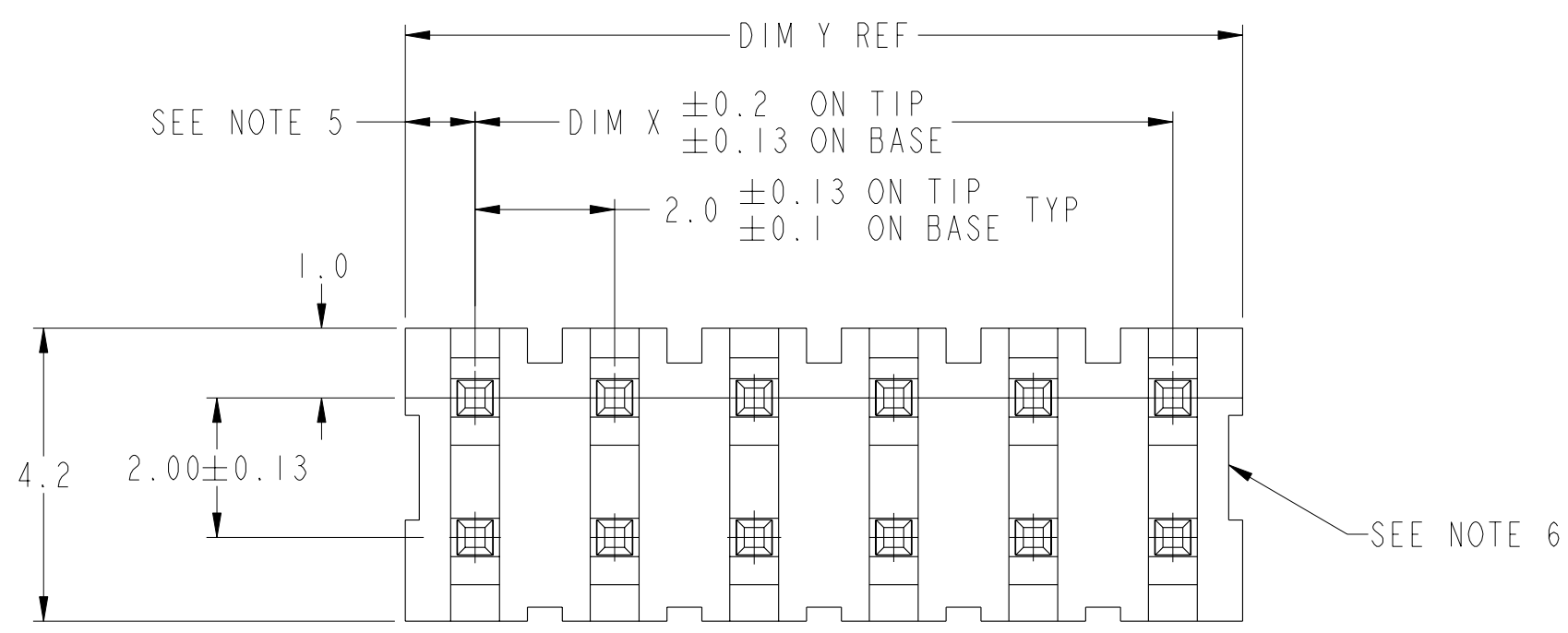
B

C

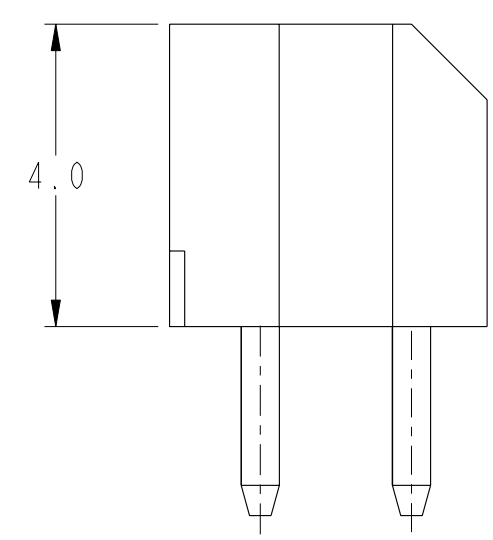
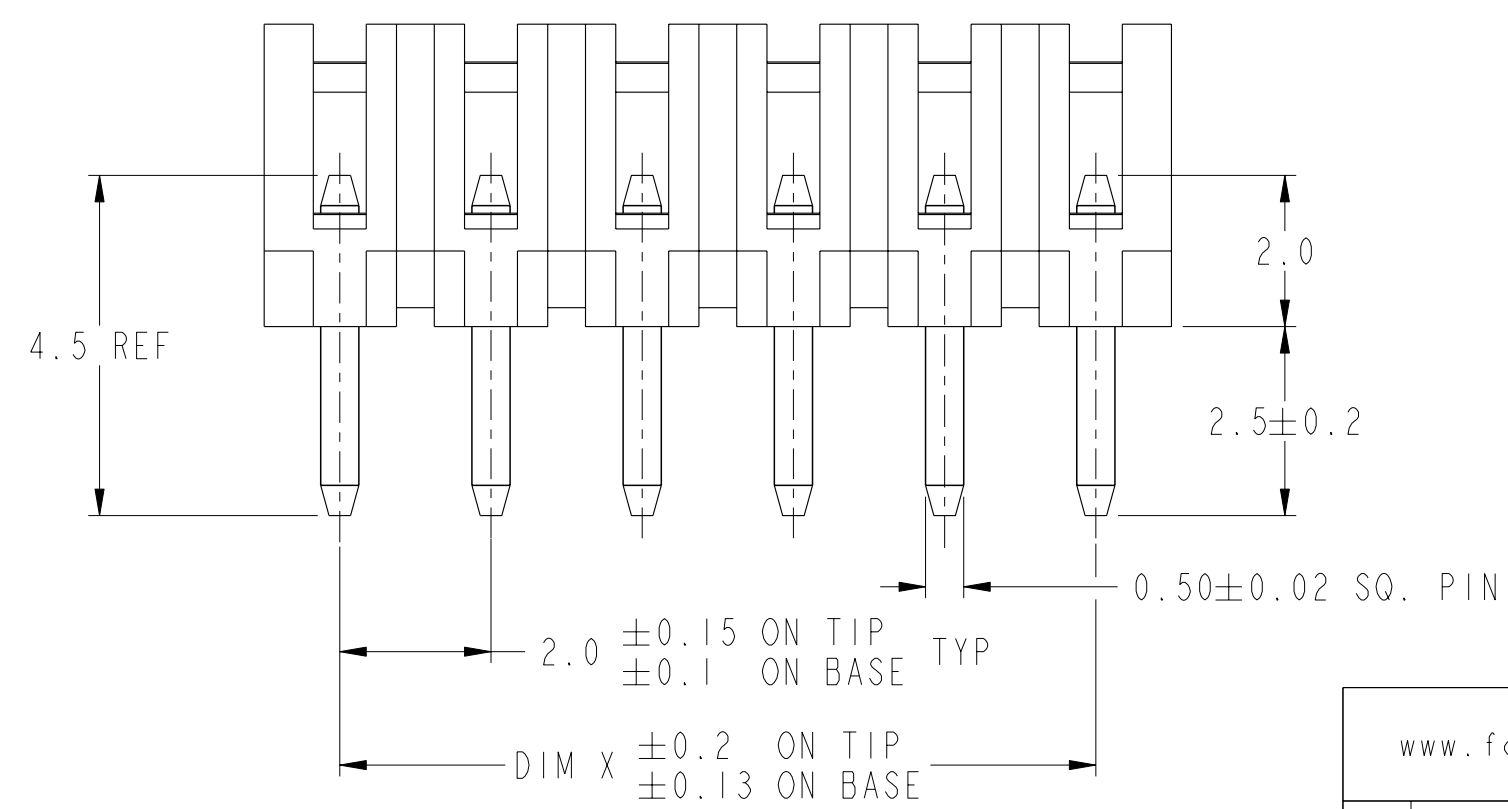
C

D

D



RECOMMENDED MOUNTING HOLE LAYOUT



Copyright FCI.

CONFIDENTIAL

www.fciconnect.com			surface - <input checked="" type="checkbox"/> ISO 1302	tolerance std ISO 406 ISO 1101	projection	MM
			TOLERANCES UNLESS OTHERWISE SPECIFIED			Scale 10:1
Dr	ML CHWA	1994-10-24	ANGULAR	LINEAR	x.X	$\pm$
Eng	BS LOW	1994-10-27			x.XX	$\pm 0.25$
Chr	KH LEE	2010-02-01	0°	$\pm$ °	x.XXX	$\pm$
Appr	JOEY NG	2010-02-01	Product family		MINITEK	Spec ref -
-	-	-	FCI		title MINITEK II 2.0 MM	dwg no 94268
-	-	-	HOLDING HEADER		Rev. C	
-	-	-	catalog no		CUSTOMER	sheet 1 of 2

rev	ecn no	dr	date
A	S40256	BSL	1994-10-24
B	S05-0064	KBM	2005-03-01
C	S10-0205	AK	2010-02-01
-	-	-	-
-	-	-	-
-	-	-	-

PRODUCT NO SEE NOTE 7	POS	DIM X	DIM Y
94268-X04	2 X 2	2	4
X06	2 X 3	4	6
X08	2 X 4	6	8
X10	2 X 5	8	10
X12	2 X 6	10	12
X14	2 X 7	12	14
X16	2 X 8	14	16
X18	2 X 9	16	18
X20	2 X 10	18	20

PLATING	DESCRIPTION
0	0.2µm Au OVER Ni
1	0.76µm Au OVER Ni
3	0.38µm Au OVER Ni
5	0.38µm PdNi W Au FLASH OVER Ni
6	0.76µm PdNi W Au FLASH OVER Ni

NOTES:

- MATERIAL:  
BODY : G.F NYLON UL94V-0 BLACK  
PIN : COPPER ALLOY
- TOLERANCE UNLESS OTHERWISE NOTED ±0.25
- HEADER BODY TO BE REMOVED AFTER SOLDERING
- PIN TO HOUSING RETENTION FORCE 200 gm MAX.  
PER PIN AFTER SUBJECTION TO SOLDER TEMPERATURE  
AT 260°C FOR 5 sec.

⑤ DIM 1.0 APPLIES TO MOLDED SIDE(S) ONLY. IF  
SIDE(S) ARE SAW, DIM 0.5 MIN APPLIES.

⑥ RECESS APPLIES TO MOLDED SIDE(S) ONLY.

⑦ PRODUCT DESCRIPTION CODE :

XXXXX-XXXLF

LEAD FREE (SEE NOTE 8 & 10)

TOTAL POSITIONS

TERMINAL PLATING

BASE NUMBER

- ⑧ P/N:94268-XXXLF IS SAME AS P/N:94268-XXX. THE SUFFIX 'LF'  
IS ADDED JUST FOR EASY LEAD FREE IDENTIFICATION
9. THE HOUSING WILL WITHSTAND EXPOSURE TO 260°C PEAK  
TEMPERATURE FOR 10 SECONDS IN A WAVE SOLDER  
APPLICATION WITH A 1.57MM MINIMUM THICK CIRCUIT BOARD.
- ⑩ THIS PRODUCT MEETS EUROPEAN UNION DIRECTIVES AND  
OTHER COUNTRY REGULATIONS AS DESCRIBED IN GS-22-008.
- △ 11. A △ SYMBOL WILL BE NEXT TO ANY DIMENSION, VIEW OR NOTE  
WHICH HAS BEEN MODIFIED WITH THE CURRENT DRAWING REVISION

**CONFIDENTIAL**

www.fciconnect.com			surface <input checked="" type="checkbox"/> ISO 1302	tolerance std <input checked="" type="checkbox"/> ISO 406 <input checked="" type="checkbox"/> ISO 1101	projection	MM
TOLERANCES UNLESS OTHERWISE SPECIFIED						
Dr	ML CHWA	1994-10-24	ANGULAR	LINEAR	x.x	±-
Eng	BS LOW	1994-10-27			x.xx	±0.25
Chr	KH LEE	2010-02-01	0°	±°	x.xxx	±-
Appr	JOEY NG	2010-02-01	Product family		MINITEK	Spec ref -
			MINITEK II 2.0 MM		dwg no	94268
			HOLDING HEADER			Rev. C
			catalog no		CUSTOMER	sheet 2 of 2