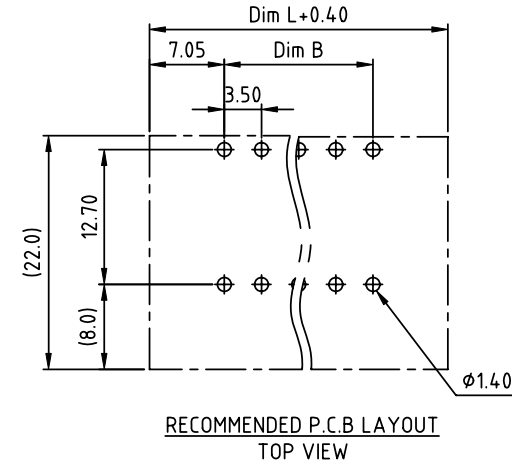
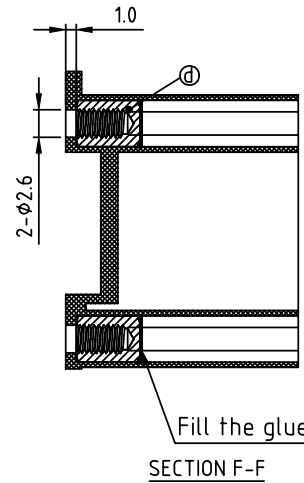
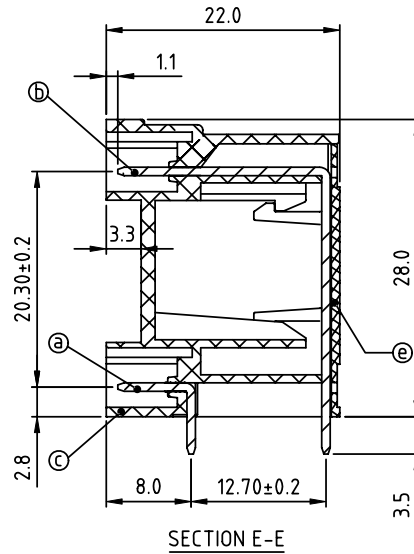
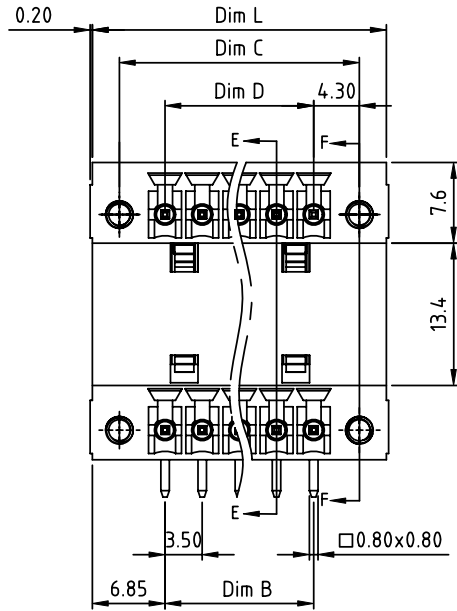


PRODUCT NUMBER	PITCH
VLxx12x100J0G	3.50 mm



- Material:
- ItemⒶ Short pin: Copper Tin plated
 - ItemⒷ Long pin: Copper Tin plated
 - ItemⒸ Terminal(housing): Thermoplastic (UL94V-0)
 - ItemⒹ With flange nut: Brass ,M2.5
 - ItemⒺ Terminal(cover): Thermoplastic (UL94V-0)

- Electrical:
- cULus
 - Voltage rating: 300V
 - Current rating: 10A
 - Withstanding Voltage: 1.6 KV
 - Operating temperature: -40°C to +115°C
 - Soldering temperature: 260°C±5°C/5 Sec
 - Safety Approval:

N=Number of poles
 Dim L=(N/2-1)×3.5+13.7
 Dim B=(N/2-1)×3.5
 Dim C=(N/2-1)×3.5+8.6
 Dim D=(N/2-1)×3.5

Poles	Tolerance
2x2p-2x4p	±0.15
2x5p-2x8p	±0.20
2x9p-2x13p	±0.25
2x13p-2x17p	±0.30
2x18p-2x24p	±0.35

PART NO.: VL xx 1 2 x 1 00J0 G

Solid block	0	Black (RAL9005)	RoHS compliant (lead<4%) In copper Alloy
No. of poles	2	Red (RAL3001/D)	
04 2x2poles	3	Orange(RAL2011/P)	
06 2x3poles	4	Yellow(RAL1018/A)	
... ..	5	Green(RAL6018/T)	
48 2x24poles	6	Blue (RAL5015/A)	
	8	Grey(RAL7035/D)	
	9	White(RAL1102)	
	C	Green(RAL6018/U)	

mat'l. code		surface ASME Y14.5	tolerance ASME Y14.5	projection	product family
ltr	ecn no	dr	date		TERMINAL BLOCK
				tolerances unless otherwise specified	title
				angles	TERMINAL BLOCK
				parallel	PLUGGABLE SOCKET, WITH FLANGE, RIGHT ANGLE
				X°±1'	scale
				dr	EVIN ZHONG 042514
				enr	EVIN ZHONG 042514
				chr	HANKE FENG 042514
				appd	SHI JUN 042514
sheet index	revision sheet	A	1		dwg no VLxx12x100J0G
					sheet 1 of 1 size A4
					type CUSTOMER Drawing