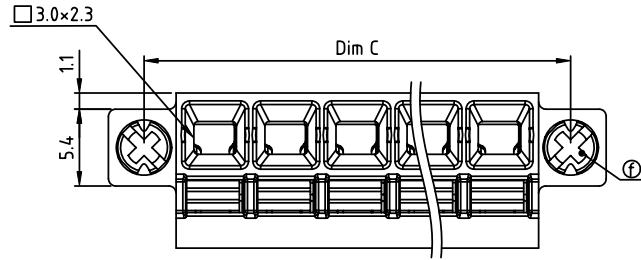


PRODUCT NUMBER	PITCH
KDxx70x100J0G	5.00 mm



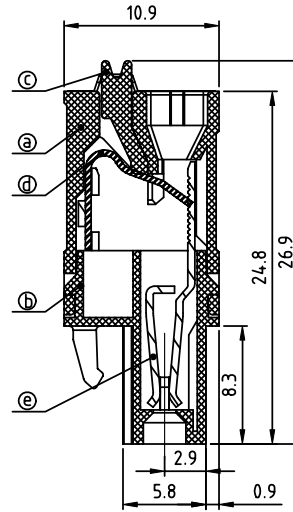
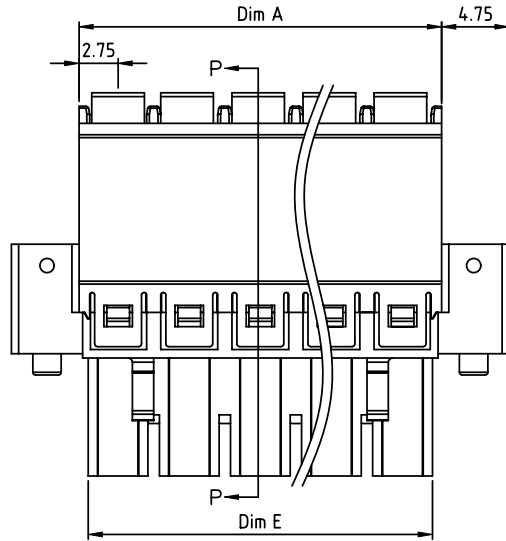
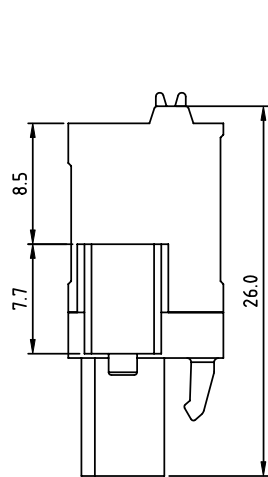
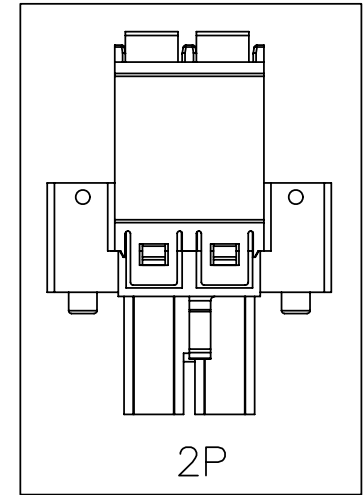
DIM A	Nx5.0+0.50
DIM B	(N-1)x5.0
DIM C	(N-1)x5.0+10.00
DIM D	(N-1)x5.0+15.0
DIM E	(N-1)x5.0+4.20

N=Number of poles

POLES	Tolerance
2p-6p	±0.15
7p-12p	±0.25
13p-18p	±0.35
19p-24p	±0.40

PART NO.: KD xx 7 0 x 1 00J0 G

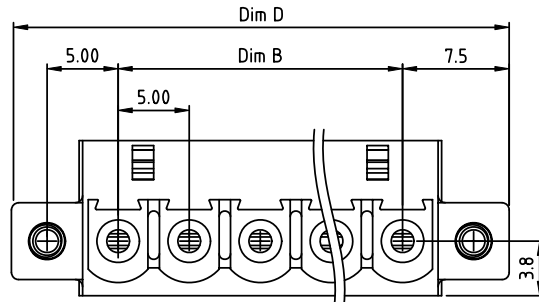
Solid block	0	Color	0	Black (RAL9005)	RoHS compliant
No. of poles	2		2	Red (RAL3001/D)	(lead<4%)
02	2 poles		3	Orange(RAL2011/P)	In copper Alloy
03	3 poles		4	Yellow(RAL1018/A)	
...	...		5	Green(RAL6018/T)	
24	24 poles		6	Blue (RAL5015/A)	
			8	Grey(RAL7035/D)	
			9	White(RAL1102)	
			C	Green(RAL6018/U)	



SECTION P-P

- Material:
- Item①Top body: Thermoplastic (UL94V-0)
  - Item②Bottom body: Thermoplastic (UL94V-0)
  - Item③Terminal Lever: Thermoplastic (UL94V-0) Orange(RAL2001/P)
  - Item④Spring clamp: Stainless steel
  - Item⑤Female contact: PhBz Tin Plated.
  - Item⑥Flange screw:Steel Zinc plating M2.5"+/-" combination type

- Electrical: cULus
- Voltage rating: 300 V
  - Current rating: 12 A
  - Wire range:
  - Solid wire(AWG): 14-24
  - Stranded wire(AWG): 14-24
  - Wire strip length: 11-12 mm
  - Withstanding Voltage: 1.6 KV
  - Operating temperature: -40°C to +115°C
  - Safety Approval: cULus



mat'l. code		surface	tolerance	projection	product family
ltr ecn no dr date		ASME Y14.5	ASME Y14.5		TERMINAL BLOCK
		tolerances unless otherwise specified		MM	title
		angles	X.±0.5	scale	TERMINAL BLOCK
		X°±1°	X.XX±0.3		SPRING CLAMP, PLUGGABLE PLUG, WITH FLANGE
			X.XX±0.1		sheet 1 of 1 size
		dr	EVIN ZHONG 052014		dwg no
		enr	EVIN ZHONG 052014		KDxx70x100J0G
		chr	HANKE FENG 052014		A4
		appd	SHI JUN 052014		type
sheet index	revision	A			
sheet	sheet	1			