

FIG 1  
MCPK-8-S SHOWN

DO NOT  
SCALE FROM  
THIS PRINT

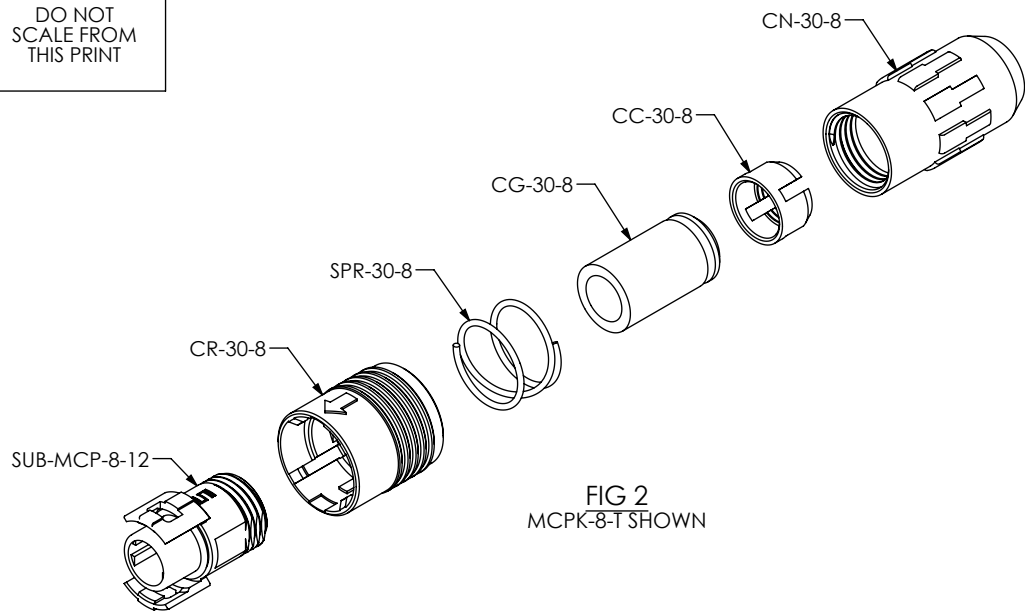
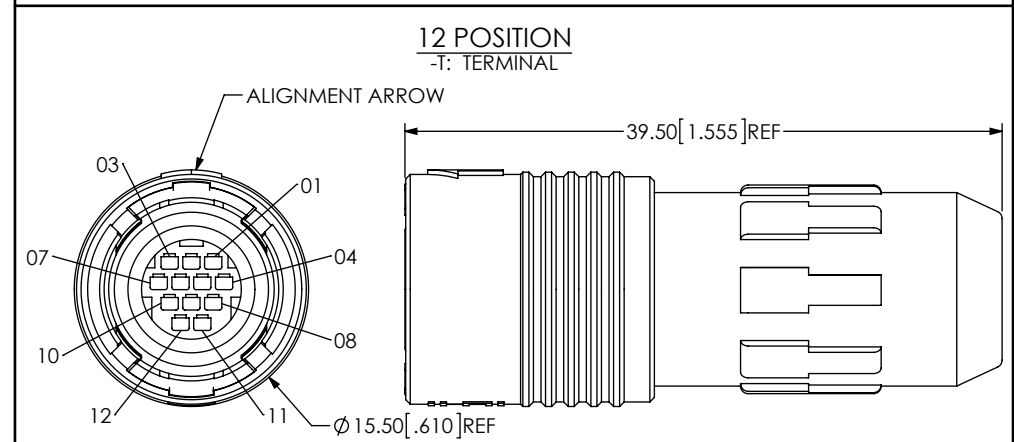
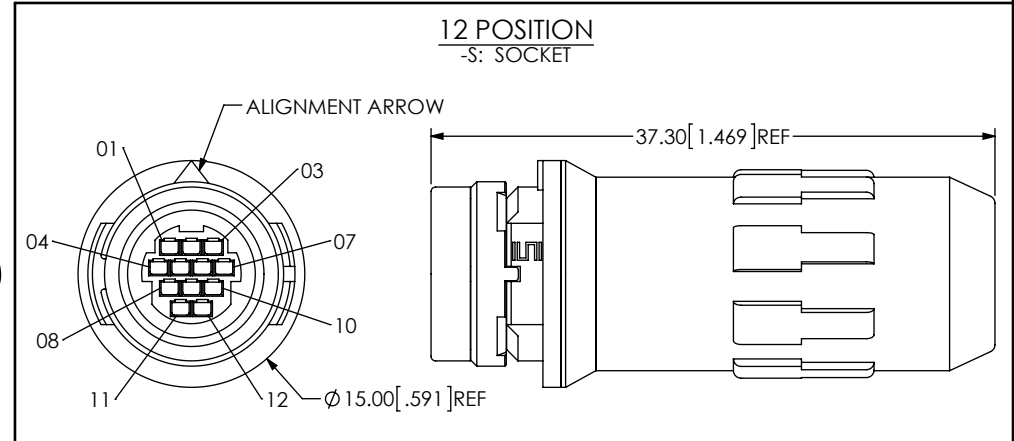


FIG 2  
MCPK-8-T SHOWN

- NOTES:
1. Ⓢ REPRESENTS A CRITICAL DIMENSION.
  2. COMPONENTS TO BE PACKAGED PER PACKAGING STANDARDS CO-RF-WI-3001-M.
  3. TORQUE SPECIFICATION FOR CN-30-8 (CABLE NUT): 0.5 Nm [4.4 IN-LBS]
  4. CABLE DIAMETER RANGE SPECIFICATION: 6.20[.244] - 7.00[.276]
  5. -T (TERMINAL): REFERENCE DCA-MCP-8 PRINT FOR TERMINAL DUSTCAP  
 -S (SOCKET): REFERENCE DCA-MCR-8 PRINT FOR SOCKET DUSTCAP
  6. PLACE HDRL-07 (LABEL) ON BAG. LABEL TO HAVE THE FOLLOWING PRINTED IN ARIAL FONT SIZE 9:  
 LINE 1 - "FOR ASSEMBLY INSTRUCTIONS SEE"  
 LINE 2 - "WWW.SAMTEC.COM/MCPKFTK"  
 LINE 3 - PART NUMBER "XXXXXX"  
 LINE 4 - SHOP ORDER NUMBER "XXXXXX"
  7. -T (TERMINAL): REFERENCE TC114-XXXX-X-X PRINT FOR TERMINALS.  
 -S (SOCKET): REFERENCE CC393-XXXX-X-X PRINT FOR CONTACTS.



UNLESS OTHERWISE SPECIFIED,  
DIMENSIONS ARE IN MILLIMETERS.  
TOLERANCES ARE:  
 DECIMALS ANGLES  
 X.X: ±0.3 [.01] 2°  
 X.XX: ±0.13 [.005]  
 X.XXX: ±0.051 [.0020]

PROPRIETARY NOTE  
 THIS DOCUMENT CONTAINS INFORMATION  
 CONFIDENTIAL AND PROPRIETARY TO  
 SAMTEC, INC. AND SHALL NOT BE REPRODUCED  
 OR TRANSFERRED TO OTHER DOCUMENTS OR  
 DISCLOSED TO OTHERS OR USED FOR ANY  
 PURPOSE OTHER THAN THAT WHICH IT WAS  
 OBTAINED WITHOUT THE EXPRESSED WRITTEN  
 CONSENT OF SAMTEC, INC.

**samtec**  
 520 PARK EAST BLVD, NEW ALBANY, IN 47150  
 PHONE: 812-944-6733 FAX: 812-948-5047  
 e-Mail info@SAMTEC.com code 53322

MATERIAL: DO NOT SCALE DRAWING SHEET SCALE: 1:1  
 INSULATORS, CABLE NUT, C-RING: PPS  
 GASKET, O-RING: SILICONE  
 SPRING: STAINLESS STEEL  
 COUPLING RING, SPACER: PBT  
 CABLE CLAMP: POM

DESCRIPTION:  
 MINI CIRC. CABLE KIT  
 DWG. NO.  
**MCPK-8-X**  
 BY: J. BORGELT 4/15/13 SHEET 1 OF 1