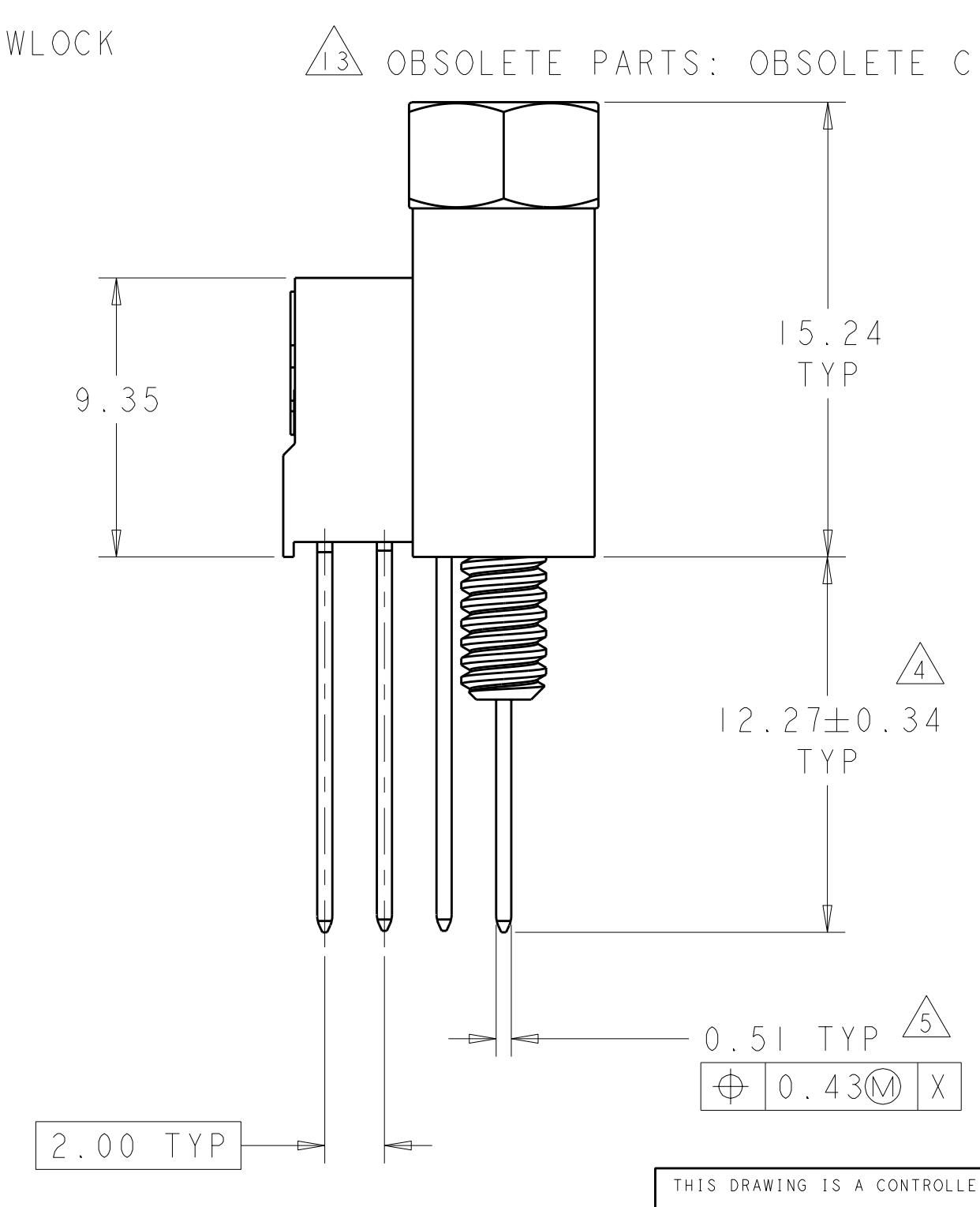
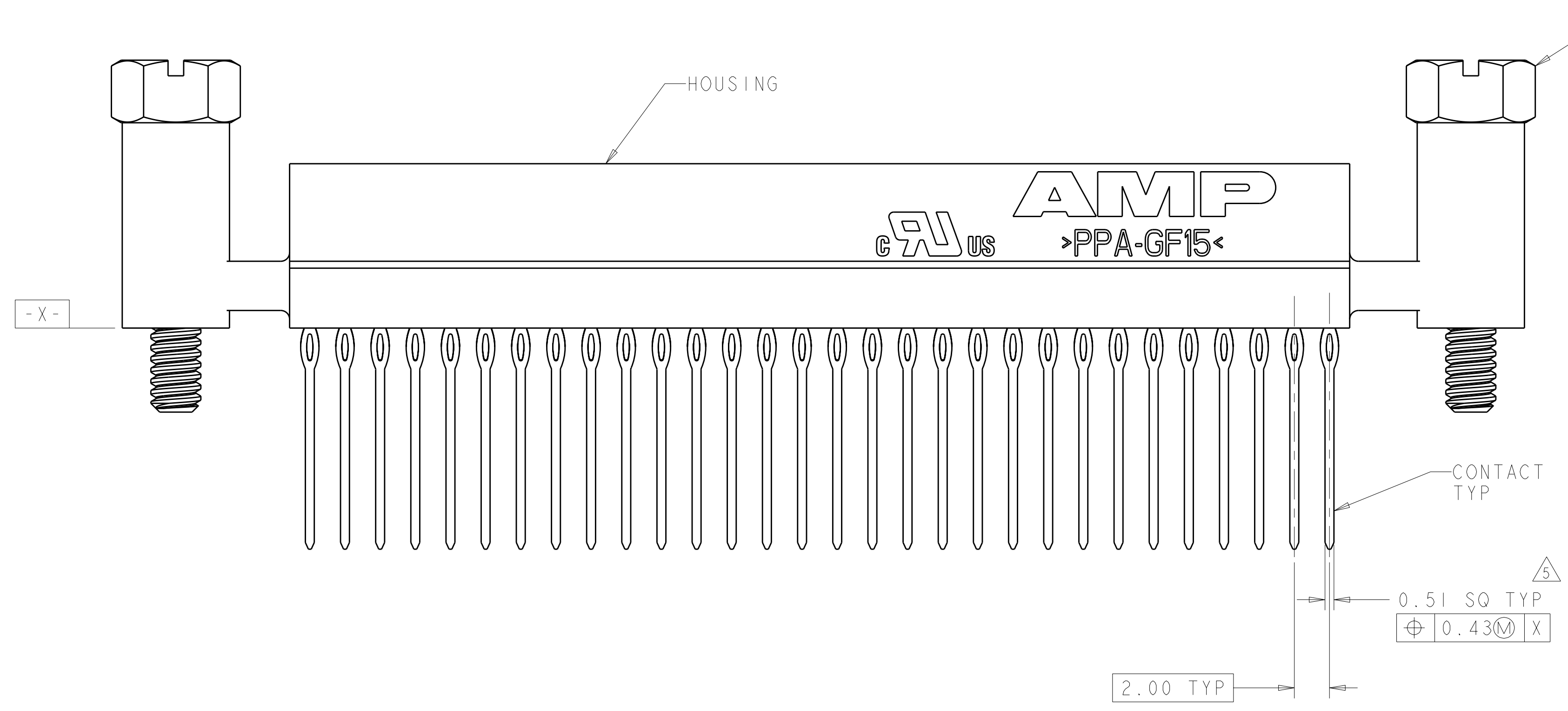
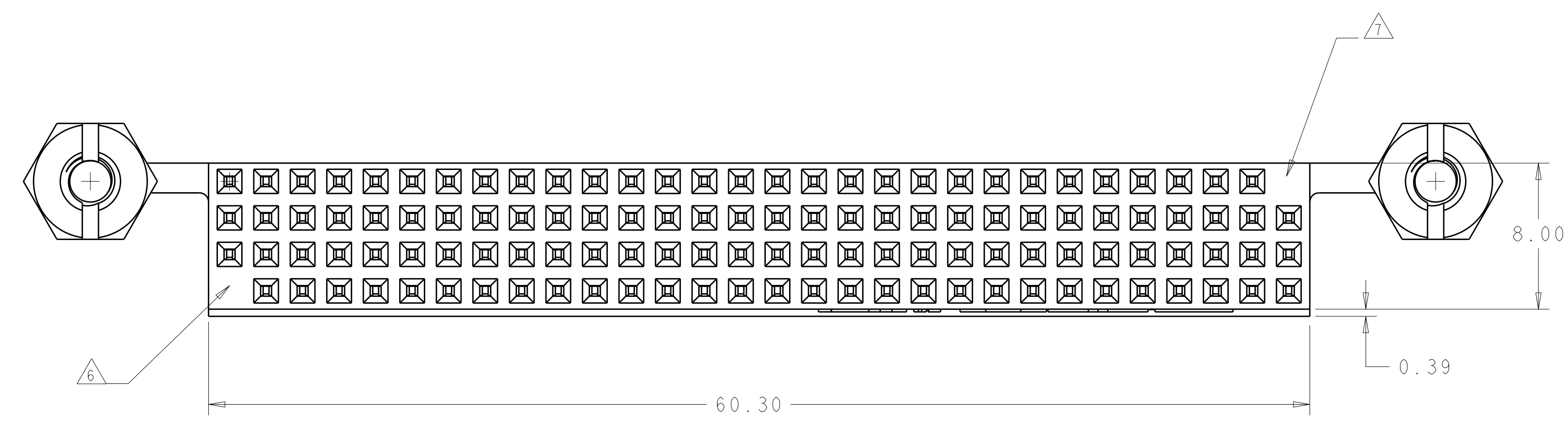


LOC	DIST	REV	DATE	BY	CHKD	APVD
AD	00	J2	23MAR2011	RK	HMR	



- 1 HOUSING: HIGH TEMPERATURE, GLASS FILLED NYLON, COLOR: BLACK.  
CONTACTS: PHOSPHOR BRONZE.  
SCREWLOCKS: STEEL.
- 2 CONTACTS: 0.000381 MIN GOLD ON MATING RECEPTACLE END, 0.000130 MIN GOLD ON REMAINDER, ALL OVER 0.001270 NICKEL.  
SCREWLOCKS: CLEAR CHROMATE OVER ZINC.
- 3 PCB HOLE RECOMMENDATIONS:  
A. DRILL HOLE DIAMETER TO BE 1.00±0.02.  
B. PLATING TO BE 0.005 MIN TIN-LEAD OVER 0.025-0.075 COPPER.  
C. RECOMMENDED FINISH HOLE SIZE IS 0.88±0.08.
- 4 DIMENSION AFTER SEATING TO PCB.
- 5 POSITION TOLERANCE APPLIES AFTER CONNECTOR IS PRESSED ONTO PC BOARD.
- 6 NO CONTACT IN THIS POSITION FOR PART NUMBER 1375797-2 ONLY.
- 7 NO CONTACT IN THIS POSITION FOR PART NUMBER 1375797-3 ONLY.
- 8 CONTACTS: 0.000381 MIN GOLD ON MATING RECEPTACLE) END, 0.00254-0.00508 MATTE TIN ON COMPLIANT AREA, 0.000130 MIN GOLD OVER REMAINDER, ALL OVER 0.001270 NICKEL.  
SCREWLOCKS: CLEAR CHROMATE OVER ZINC.
- 9 TO BE USED ON SILVER IMMERSION PLATED PCB'S (NOTE 10).
- 10 PCB HOLE RECOMMENDATIONS FOR SILVER IMMERSION PLATING:  
A. DRILL HOLE DIAMETER TO BE 1.04±0.02.  
B. PLATING TO BE 0.0001524-0.0004064 SILVER OVER 0.0508±0.0254 COPPER.  
C. RECOMMENDED FINISH HOLE SIZE IS 0.94-1.03.
- 11 PCB HOLE RECOMMENDATIONS FOR ENIG PLATING:  
A. DRILL HOLE DIAMETER TO BE 1.04±0.02.  
B. PLATING TO BE 0.000051-0.000127 GOLD OVER 0.00305-0.00610 NICKEL ALL OVER 0.0508±0.0254 COPPER.  
C. RECOMMENDED FINISH HOLE SIZE IS 0.94-1.03.
- 12 TO BE USED ON STANDARD PCB (NOTE 3) OR ENIG PLATED PCB (NOTE 11).
- 13 OBSOLETE PARTS: OBSOLETE CIS STREAMLINING PER D.RENAUD/D.SINISI

REV	DESCRIPTION	DATE	BY	CHKD	APVD
1	1375797-1				
2	1375797-2				
3	1375797-3				
4	1375797-4				
5	1375797-5				
6	1375797-6				

THIS DRAWING IS A CONTROLLED DOCUMENT.

DATE: 20 JUN 2000  
 DWG: W.G. LENKER  
 CHK: L. BREKOSKY  
 APVD: J. OLSON

PRODUCT SPEC: 108-1956  
 APPLICATION SPEC: 114-13021

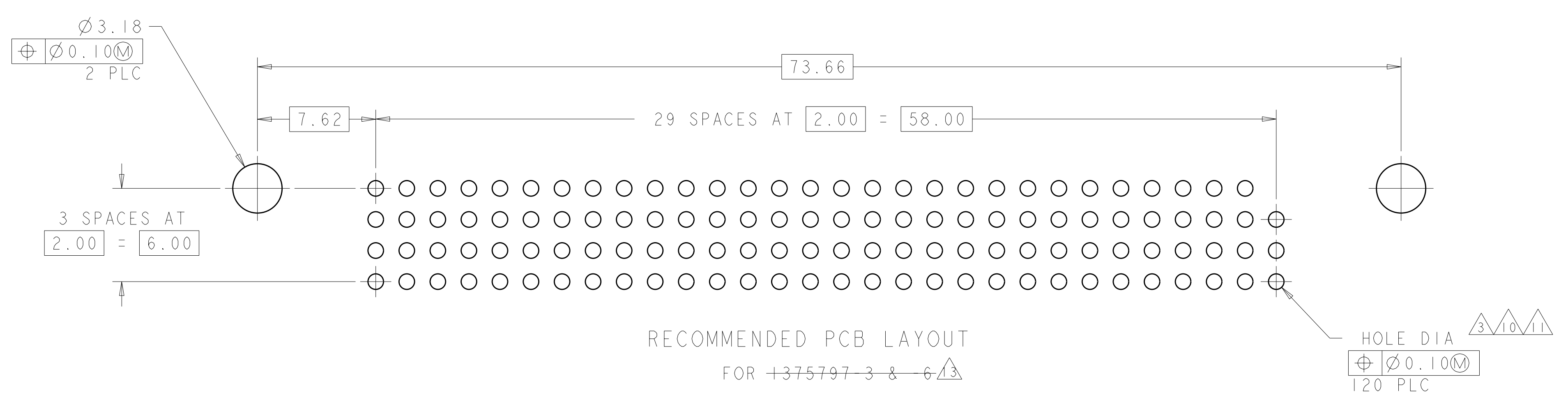
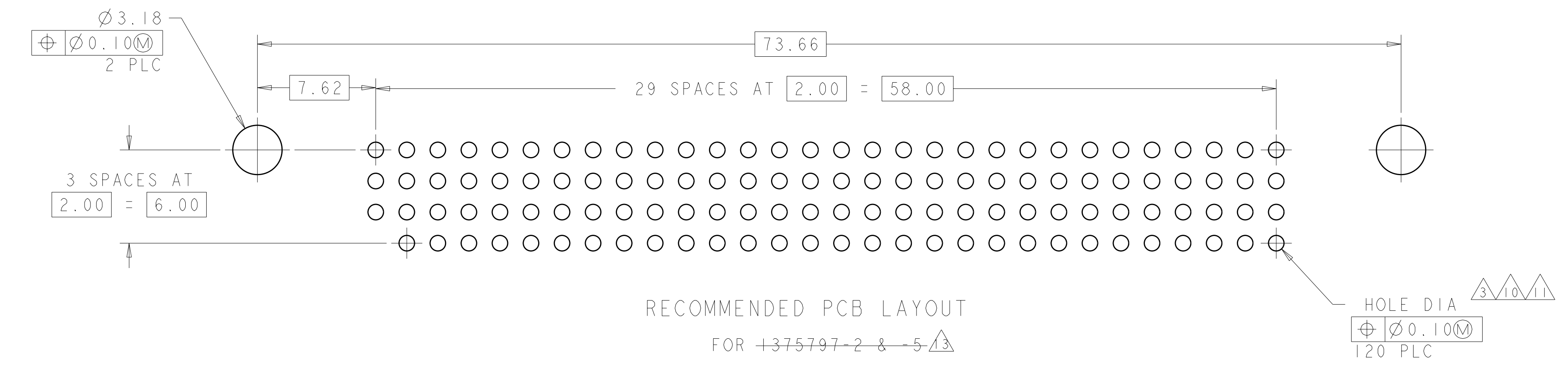
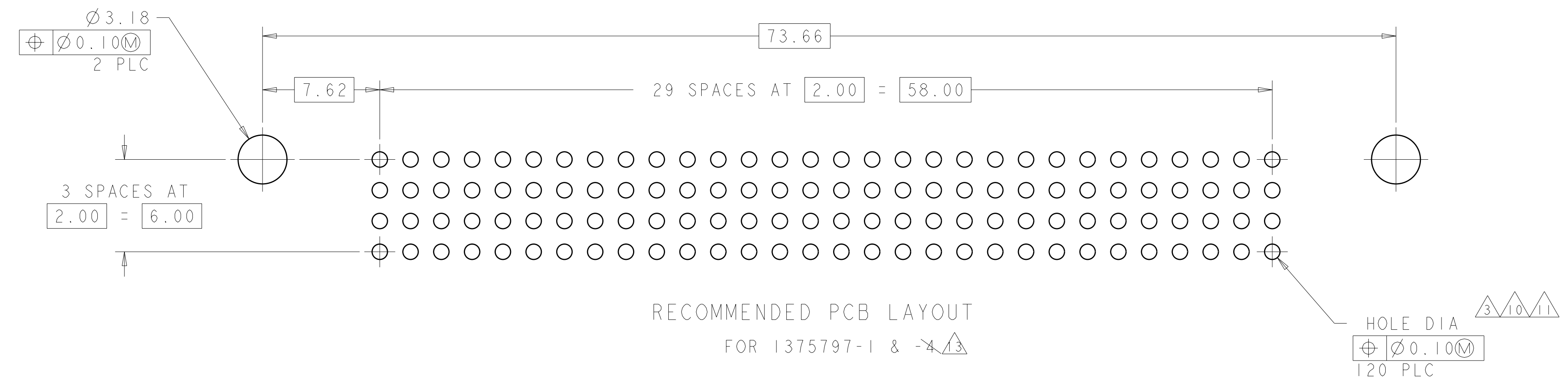
SCALE: 5:1 SHEET 1 OF 2 REV J2

STE TE Connectivity

ASSEMBLY, PC/104-PLUS, STACKTHROUGH CONTACTS, 2 STANDOFFS, PRESS FIT

CUSTOMER DRAWING

LOC	DIST	REVISIONS			
AD	00	REV	DATE	BY	APPD
		1	SEE SHEET 1		



THIS DRAWING IS A CONTROLLED DOCUMENT.		OWN: W.G. LENKER 20JUN2000	TE Connectivity	
DIMENSIONS: mm		CHK: L. BREKOSKY 15JAN2001		
TOLERANCES UNLESS OTHERWISE SPECIFIED:		APVD: J. OLSON 13JUN2001	NAME: ASSEMBLY, PC/104-PLUS, STACKTHROUGH CONTACTS, 2 STANDOFFS, PRESS FIT	
		PRODUCT SPEC: 108-1956	SIZE: A100779	
MATERIAL:		APPLICATION SPEC: 114-13021	CAGE CODE: C=1375797	
FINISH:		WEIGHT:	CUSTOMER DRAWING	
		SCALE: 5:1	SHEET 2 OF 2	