

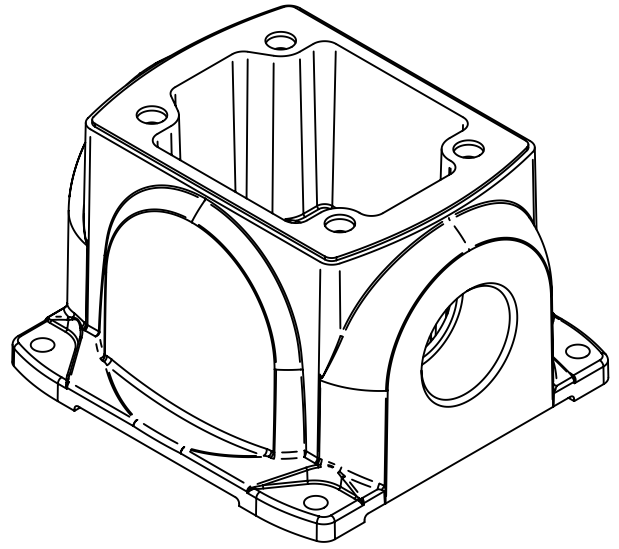
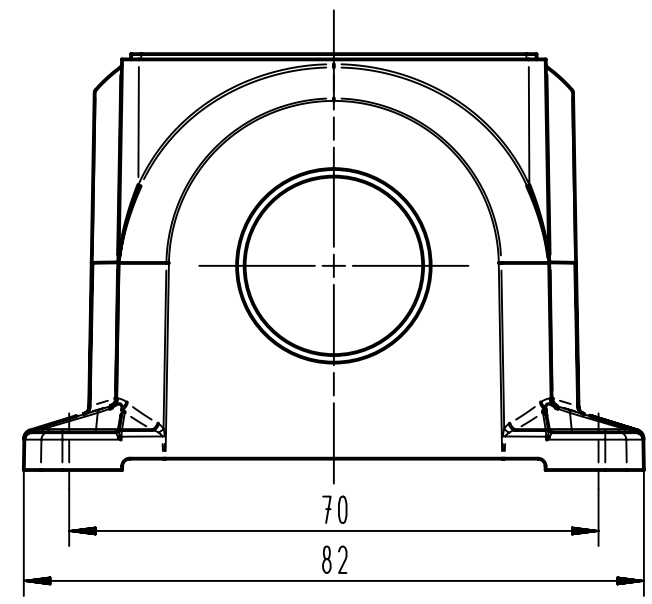
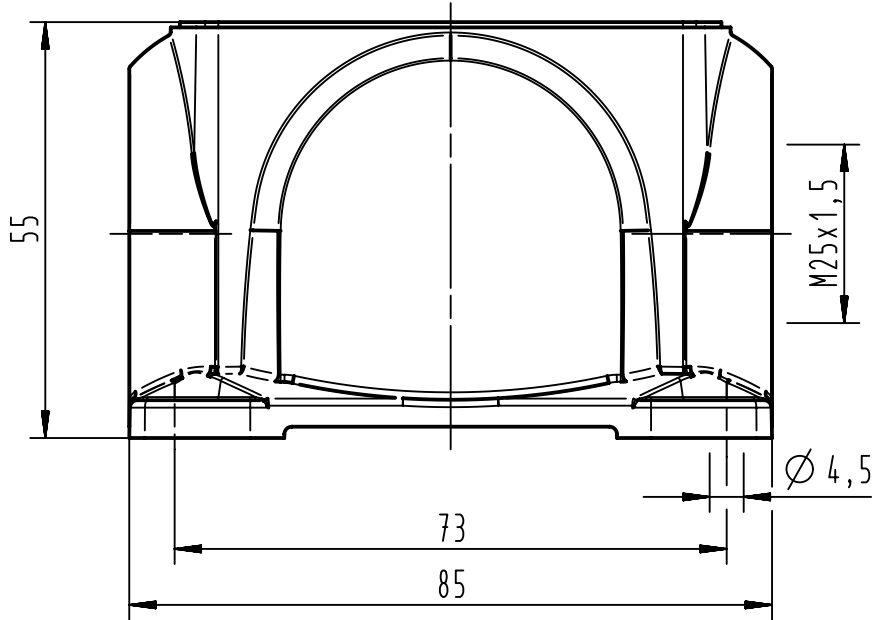
1 2 3 4 5 6

A


B

C

D



4x M4-screws and washers enclosed separately / tightening torque 1.2-2 Nm

	All Dimensions in mm Original Size DIN A4	Scale 1:1	Free size tol.		Ref.	
	All rights reserved Department EL PD - DE	Created by HOLLERT	Inspected by BEISCHER	Standardisation SCHMIDTM	Date 2012-09-14	State Final Release
HARTING Electric GmbH & Co. KG D-32339 Espelkamp		Title Han-Yellock 30 HSM 1xM25			Doc-Key / ECM-Nr. 100216720/UGD/005/C	
		Type TB	Number 11 12 300 1201			Rev. C
					Page 1/1	