

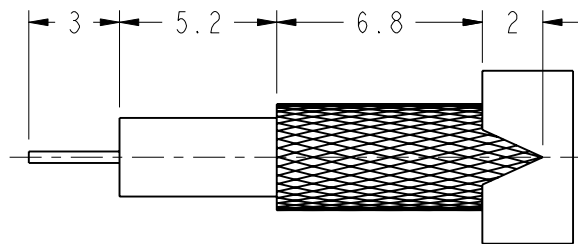
NOTES:

1. MATERIAL AND FINISH:
 BODY - BRASS, NICKEL PLATING
 CONTACT - BRASS, GOLD PLATING
 INSULATOR - DELRIN, NATURAL
2. ELECTRICAL:
 A. IMPEDANCE: 75 OHM
 B. FREQUENCY RANGE: 0-3 GHz
 C. DIELECTRIC WITHSTANDING VOLTAGE: 1500 VRMS. MIN.
3. MECHANICAL:
 A. DURABILITY: 500 CYCLES MIN.
 B. TEMPERATURE RANGE: -40°C TO +80°C
4. CRIMPED FERRULE
 HEX CRIMP SIZE .178"
5. SOLDER CONTACT PIN

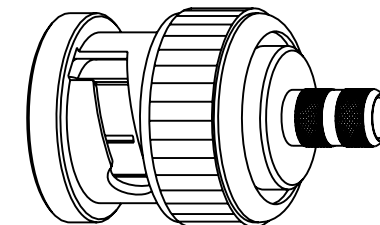
THIRD ANGLE PROJ.

REVISIONS

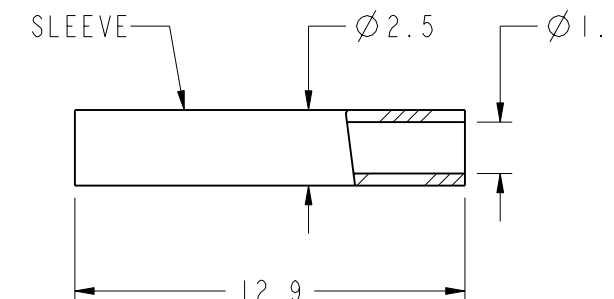
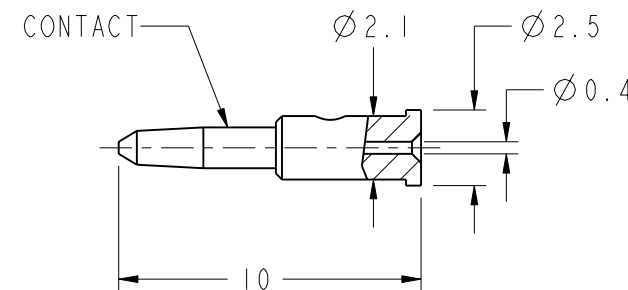
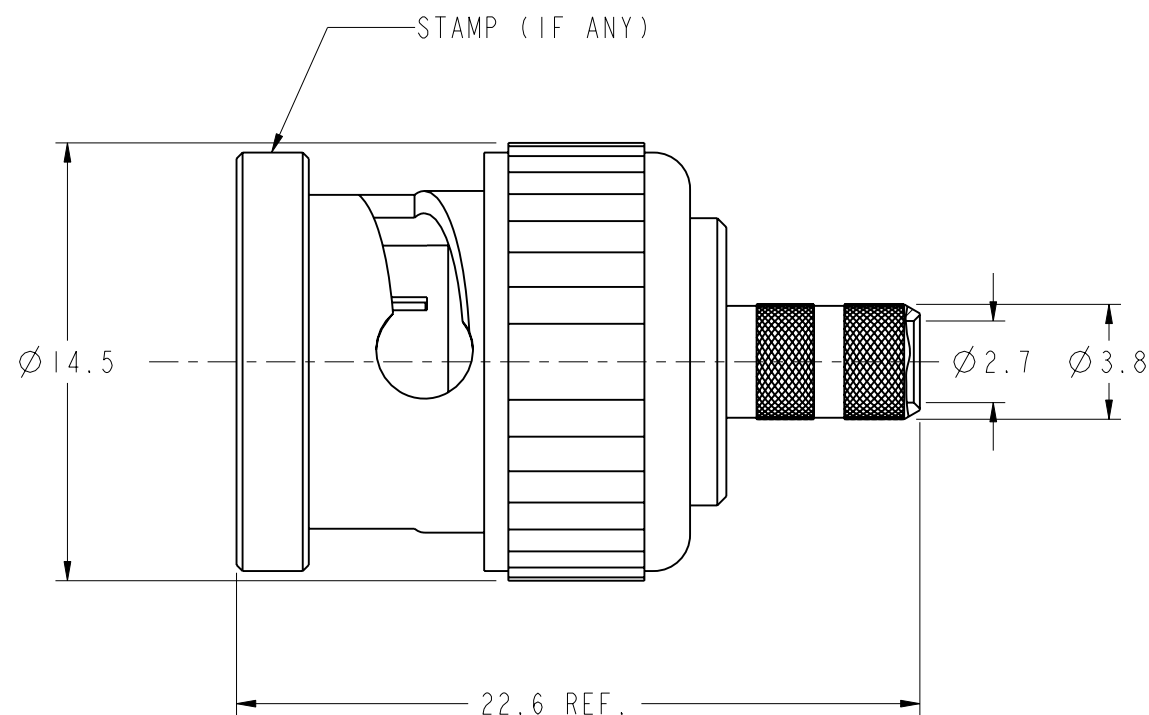
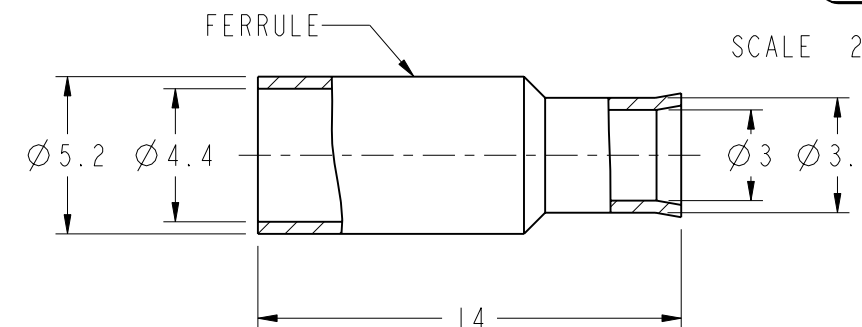
REV	DESCRIPTION	DATE	ECO	APPR
A	RELEASE TO MFG.	10/2/91	38063	DR
B	SEE SHEET 1	11/11/98	42704	CPM
C	SEE SHEET 1	12/17/98	42779	CPM
D	SYNCH THE DRAWING WITH DANBURY	25-Dec-13	49842	RM
E	REMOVE CRIMP IN NOTE 5	28-Feb-14	49911	SH



RECOMMENDED
CABLE STRIPPING DIM'S



SCALE 2.000



CUSTOMER OUTLINE DRAWING

ALL OTHER SHEETS ARE FOR INTERNAL USE ONLY

UNLESS OTHERWISE SPECIFIED, DIMENSIONS ARE IN METRIC AND TOLERANCES ARE: <0.5mm ±0.05mm 0.5 - 6mm ±0.1mm 6 - 30mm ±0.2mm 30 - 120mm ±0.3mm ANGLES ±1°	MATERIAL	DRAWN R. MAO	DATE 28-Feb-14	TITLE BNC CRIMP PLUG (FOR RG-179/U, 187A/U)	Amphenol RF Danbury CT USA, Tainan, Taiwan, Shenzhen, China www.amphenolrf.com
	REFERENCE AND CONFIGURATION LEVEL:	ENGINEER S. LI	DATE 20-Dec-13		
NOTICE - These drawings, specifications, or other data (1) are, and remain the property of Amphenol corp. (2) must be returned upon request; and (3) are confidential and not to be disclosed to any person other than those to whom they are given by Amphenol Corp. the furnishing of these drawings, specifications, or other data by Amphenol Corp., or to any other person to anyone for any purpose is not to be regarded by implication or otherwise in any manner licensing, granting rights to permitting such holder or any other sperson to manufacture, use or sell any product, process or design, patented or otherwise, that may in any way be related to or disclosed by said drawings, specifications, or other data.	FINISH	APPROVED S. HSIEH	DATE 28-Feb-14	SCALE: 4.0:1.0 SHEET 2 OF 2	ITEM NO. 011121AAK19ND7F
			CAD FILE		DWG SIZE B REV E