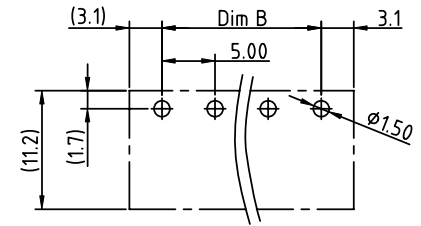
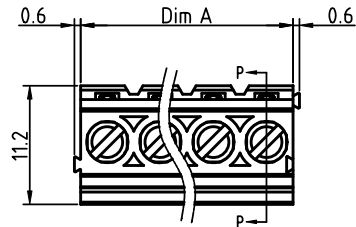
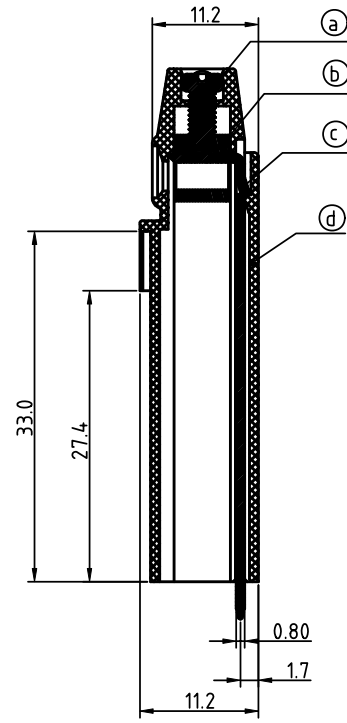
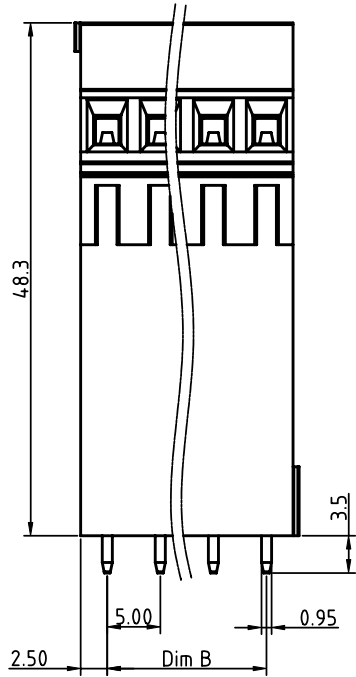


PRODUCT NUMBER	PITCH
YRxx01x000J0G	5.00mm



RECOMMENDED P.C.B LAYOUT
TOP VIEW



SECTION P-P

Material

- Item ① Terminal screw: Steel Zinc plating "-" slot type
- Item ② Clamp : Brass , Ni plating
- Item ③ Solder pin : Brass, Tin plated
- Item ④ Terminal housing : Thermoplastic (UL94V-0)

Electrical

- Voltage rating: 300VAC
- Current rating: 10A
- Wire range:
- Solid wire(AWG): 12-24
- Stranded wire(AWG): 12-24
- Torque(Lb-In): 3.5
- Screw: M2.5
- Wire strip length: 6-7mm
- Withstanding Voltage: 1.6KV
- Operating temperature: -40°C to +115°C
- Soldering temperature: 260°C±5°C/5 Sec

PART NO.: YR xx 0 1 x 0 00J0 G

Dimension A&B

DIM A	N×5.0
DIM B	(N-1)×5.0

N=Number of poles

Poles	DimA&B Tolerance
2-6p	±0.15
7-12p	±0.25
13-18p	±0.35
19-24p	±0.40

Solid block	No. of poles	Color	RoHS compliant (lead<4%) In copper Alloy
0	2	Black (RAL9005)	
02	2 poles	Red (RAL3001/D)	
03	3 poles	Orange(RAL2011/P)	
...	...	4 Yellow(RAL1018/A)	
24	24 poles	5 Green(RAL6018/T)	
6		6 Blue (RAL5015/A)	
8		7 Grey(RAL7035/D)	
9		8 White(RAL1102)	
C		9 Green(RAL6018/U)	

mat'l. code		surface ASME Y14.5	tolerance ASME Y14.5	projection	product family
itr ecn no dr date		tolerances unless otherwise specified		MM	TERMINAL BLOCK
angles		X.±0.5			title
X*±1"		X.X±0.3			TERMINAL BLOCK
dr		X.XX±0.1		scale	RISING CLAMP,180D WIRE INLET,SOLID BLOCK
enr		EVIN ZHONG 041014			dwg no
chr		EVIN ZHONG 041014			sheet 1 of 1 size
appd		HANKE FENG 041014			YRxx01x000J0G A4
		SHI JUN 041014			type
					CUSTOMER Drawing
sheet index	revision sheet	A	1		