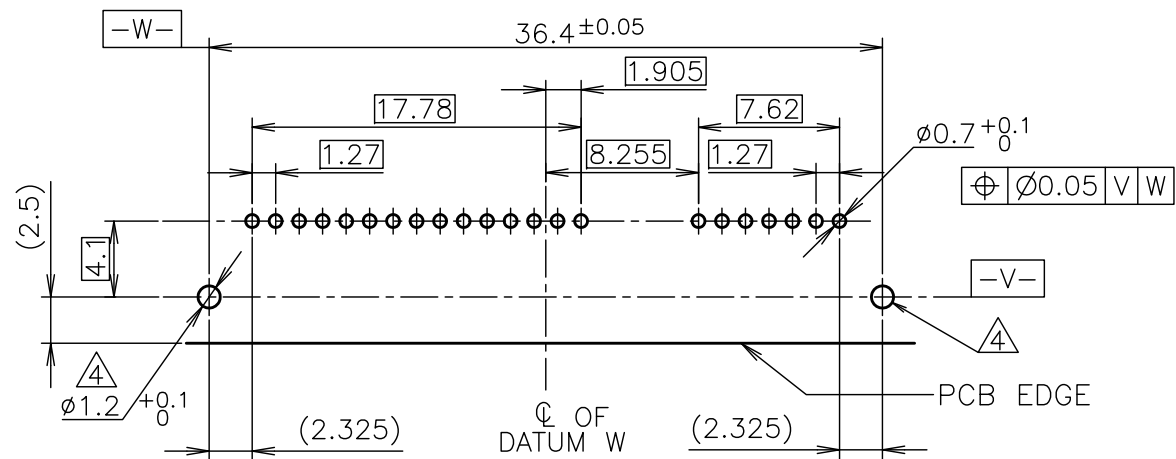
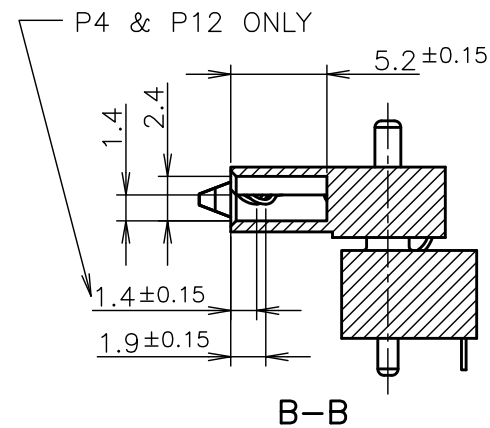
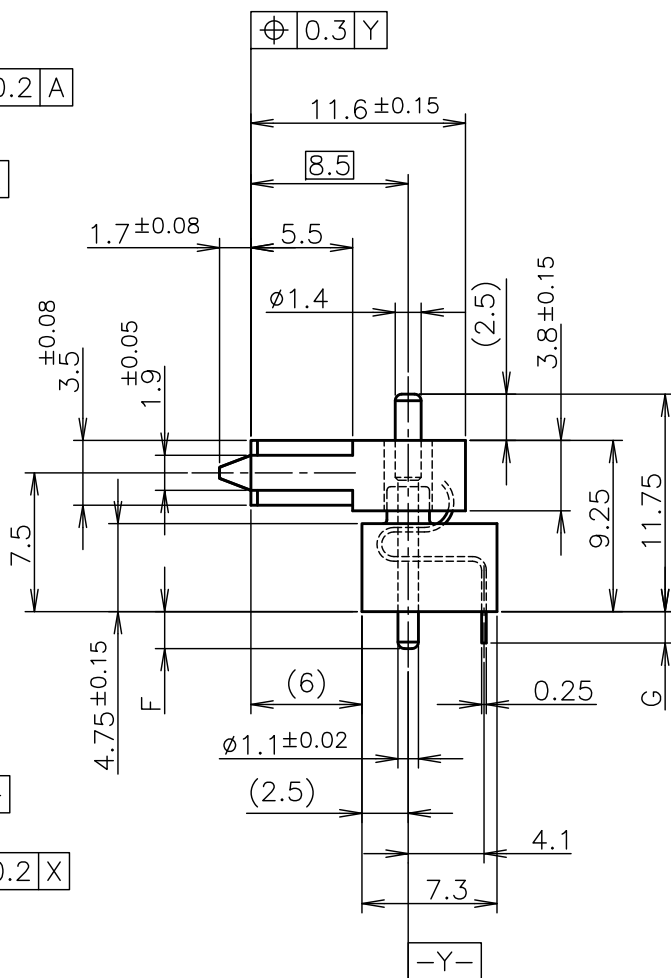
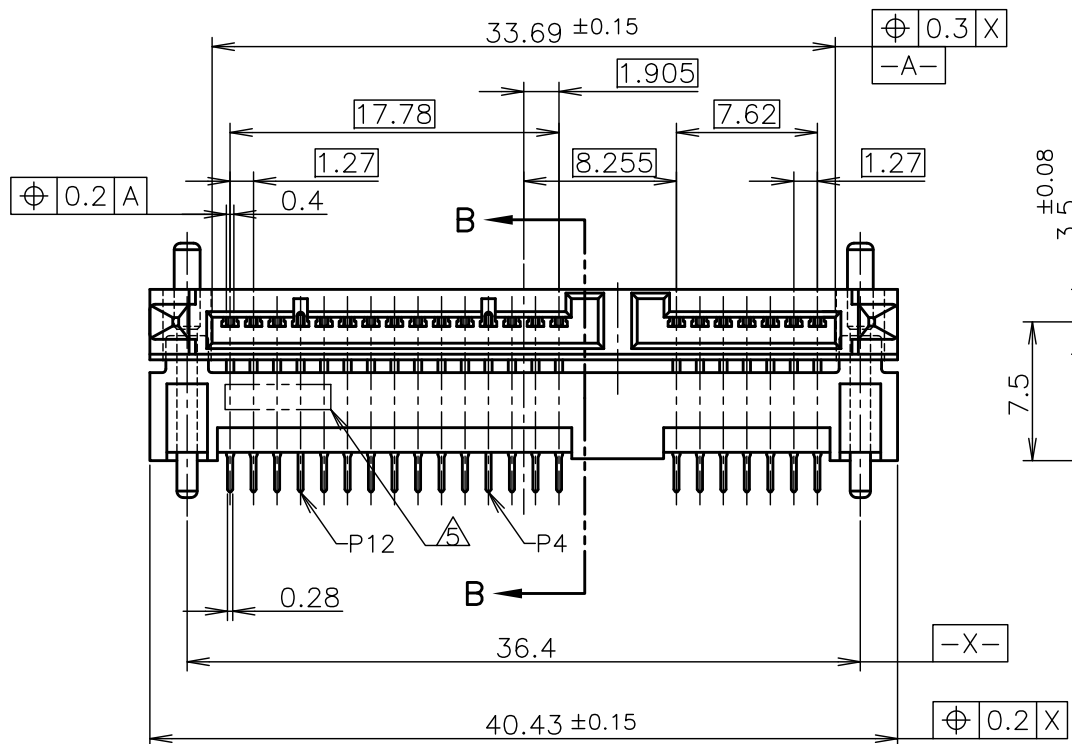
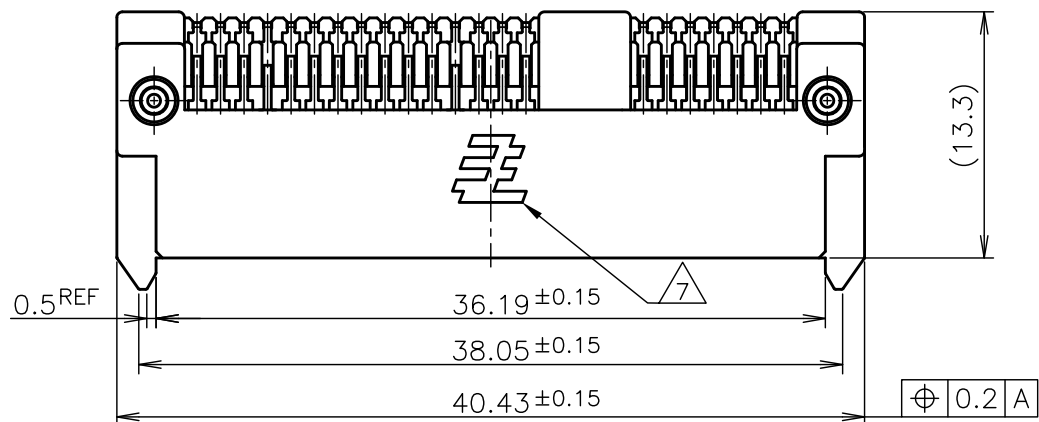


LOC	DIST	REVISIONS					
J		P	LTR	DESCRIPTION	DATE	DWN	APVD
		E1		REVISED (ECR-13-001920)	03JUL2013	B.W	V.P



REFERENCE PCB LAYOUT  
 REFERENCE PCB THICKNESS t=1.2 : AS SHOWN -1,-2,-3  
 REFERENCE PCB THICKNESS t=1.6 : AS SHOWN -4

- △ MATERIAL:  
 HOUSING: THERMOPLASTIC HIGH TEMP. UL94V-0,  
 COLOR: BLACK.  
 CONTACT: PHOSPHOR BRONZE  
 PIN: BRASS  
 TRAY: PS 0.8t (COLOR, WHITE)  
 EMBOSS TAPE: PS, COLOR: CLEAR  
 COVER TAPE: PET
- △ FINISH:  
 CONTACT: 0.0002 MIN. GOLD PLATING ON CONTACT AREA  
 TIN MATTE PLATING ON SOLDER TAILS  
 NICKEL UNDER PLATED OVER ALL  
 PIN: TIN MATTE PLATING OVER ALL  
 NICKEL UNDER PLATED OVER ALL
- 3 QTY: 30 PRODUCTS / TRAY  
 130 PRODUCTS / REEL (P/N:1827335-2,-3)  
 120 PRODUCTS / REEL (P/N:1827335-4)
- △ PIN MUST BE SOLDERED WITH PCB.
- △ DATE CODE AND ASSY MACHINE ID
- △ FINISH:  
 CONTACT: 0.00076 MIN. GOLD PLATING ON CONTACT AREA  
 TIN MATTE PLATING ON SOLDER TAILS  
 NICKEL UNDER PLATED OVER ALL  
 PIN: TIN MATTE PLATING OVER ALL  
 NICKEL UNDER PLATED OVER ALL
- △ TE LOGO MUST BE CLEAR AND LEGIBLE. TE CONNECTIVITY  
 P/N 15994-1

OBsolete	G	F	FINISH	PART NO
	2.4	2.7	△6	1827335-4
	-1.7	2.0	△6	1827335-3
	-1.7	2.0	△6	1827335-2
	-1.7	2.0	△2	1827335-1

THIS DRAWING IS A CONTROLLED DOCUMENT.		DWN	M.UMEHARA	27APR2005	TE Connectivity
DIMENSIONS: 單位: 耗 mm		CHK	A.KUBO	27APR2005	
TOLERANCES UNLESS OTHERWISE SPECIFIED: 一般公差		APVD	Y.YAMAMOTO	27APR2005	NAME 名称 REC ASSY A-FREE S-ATA H7.5
0 PLC ± 0.2 1 PLC ± 0.2 2 PLC ± 0.2 3 PLC ± 0.2 4 PLC ± 0.2 ANGLES ± 3°		PRODUCT SPEC 製品規格 108-78274		SIZE A3	
MATERIAL 材料		FINISH 仕上		WEIGHT	CAGE CODE 00779
SEE TABLE		CUSTOMER DRAWING		DRAWING NO 番号 1827335	RESTRICTED TO 限制
		SCALE 尺度		SHEET 1 OF 3	REV E1

4

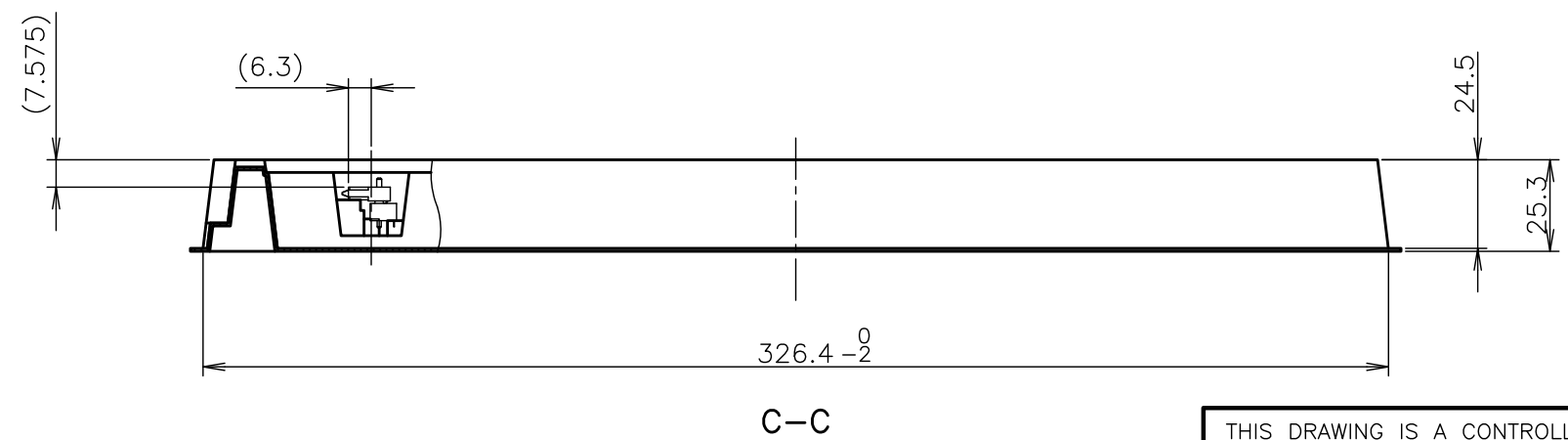
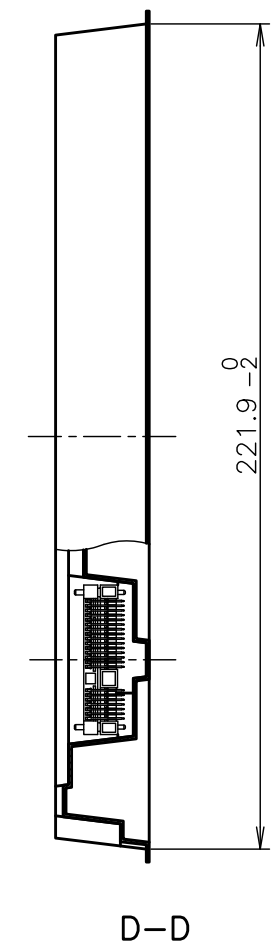
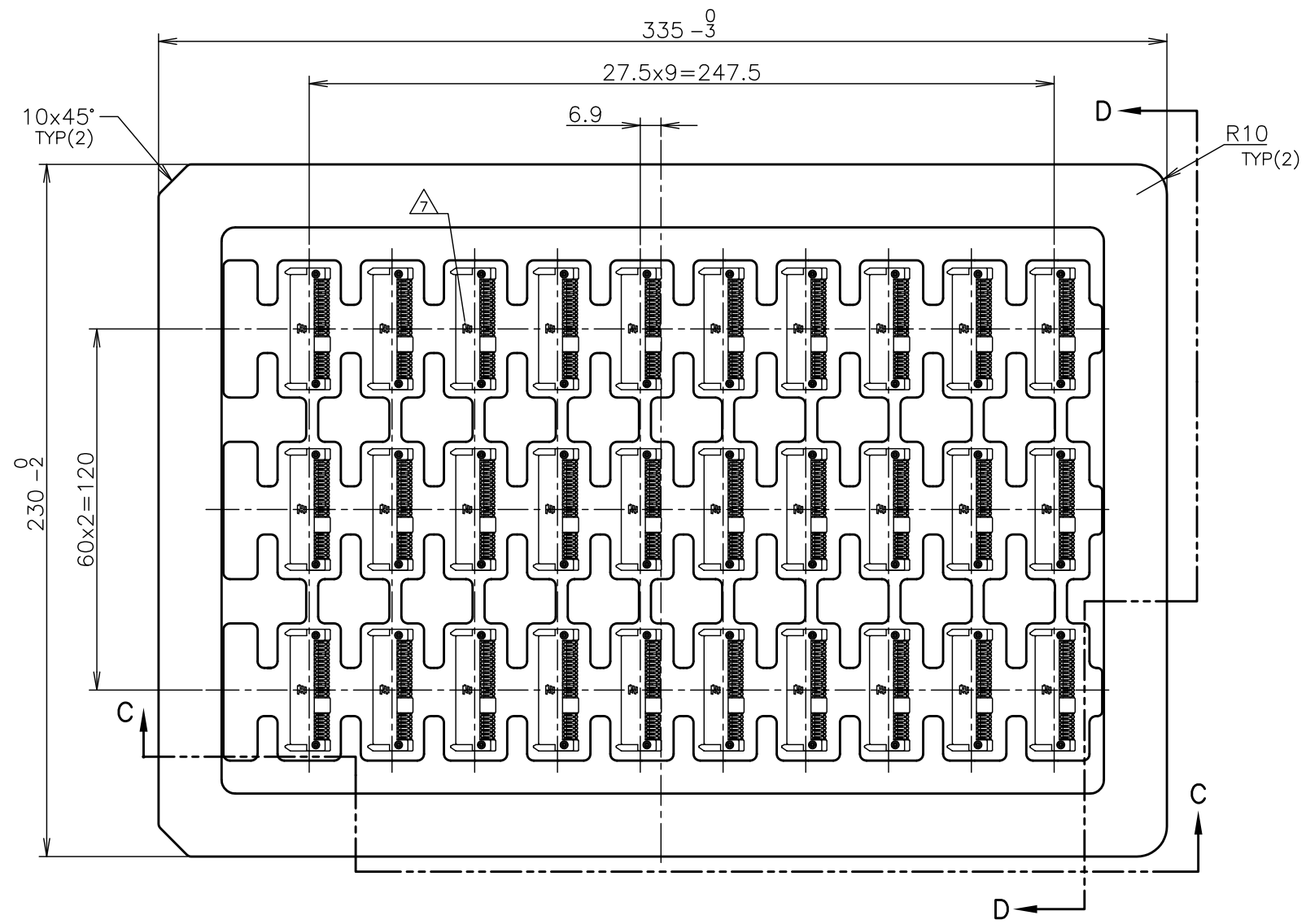
3

2

1

THIS DRAWING IS UNPUBLISHED. RELEASED FOR PUBLICATION APR ,2005.  
 © COPYRIGHT 2005 By - ALL RIGHTS RESERVED.

LOC	DIST	REVISIONS			DATE	DWN	APVD
J		P	LTR	変更 DESCRIPTION			
		-		SEE SHEET 1	-	-	-



AS SHOWN: 1827335-1

THIS DRAWING IS A CONTROLLED DOCUMENT.		DWN		TE Connectivity	
DIMENSIONS: 單位: 耗 mm		CHK			
TOLERANCES UNLESS OTHERWISE SPECIFIED: 一般公差		APVD		NAME 名称	
0 PLC ± 1 PLC ± 2 PLC ± ±1.0 3 PLC ± 4 PLC ± ANGLES ±		PRODUCT SPEC 製品規格		REC ASSY A-FREE S-ATA H7.5	
MATERIAL 材料		FINISH 仕上		APPLICATION SPEC 取付適用規格	
		WEIGHT		SIZE CAGE CODE DRAWING NO 番号	
		CUSTOMER DRAWING		A3 00779  1827335	
		SCALE 尺度 1:2		RESTRICTED TO	
		SHEET 2 OF 3		REV E1	

4

3

2

1

THIS DRAWING IS UNPUBLISHED. RELEASED FOR PUBLICATION APR ,2005.  
 © COPYRIGHT 2005 By - ALL RIGHTS RESERVED.

LOC	DIST	REVISIONS 変更					
J		P	LTR	DESCRIPTION	DATE	DWN	APVD
		-		SEE SHEET 1	-	-	-

D

C

B

A

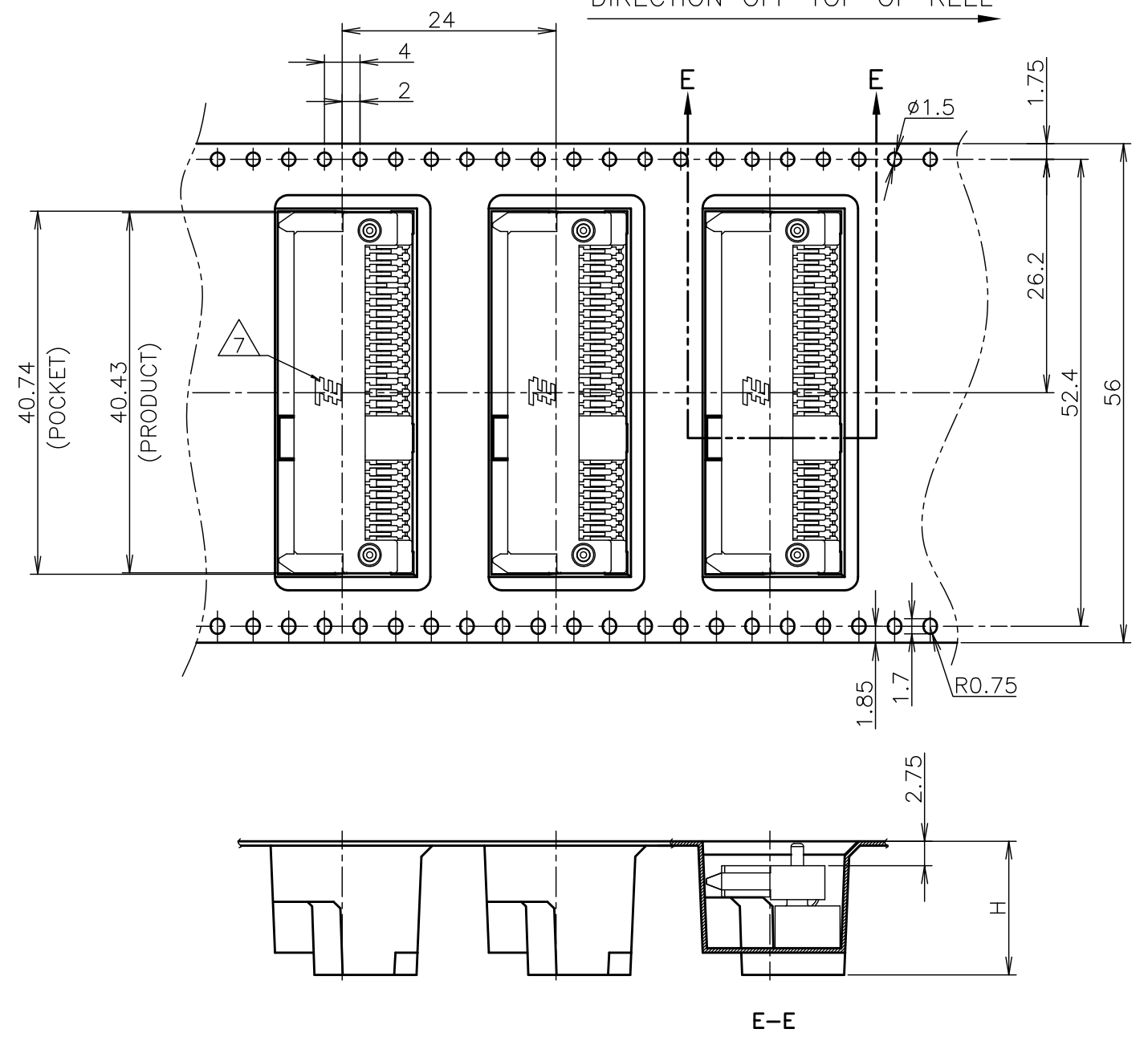
D

C

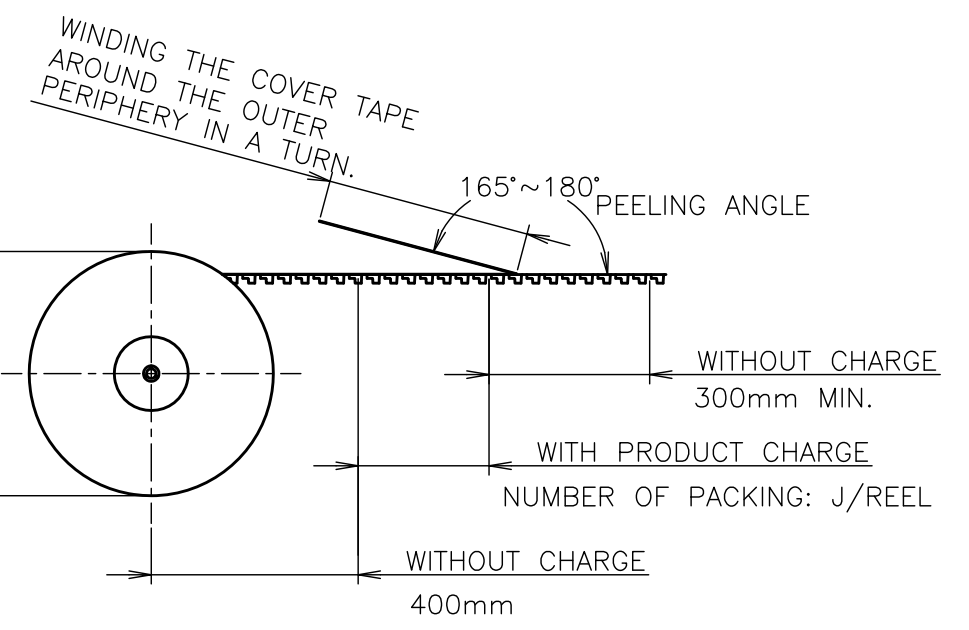
B

A

DIRECTION OFF TOP OF REEL



120 PCS	16.0	1827335-4
130 PCS	15.0	1827335-3
130 PCS	15.0	1827335-2
PACKING QTY: J	H	PART NO.



AS SHOWN: 1827335-2,-3,-4

THIS DRAWING IS A CONTROLLED DOCUMENT.		DWN		TE Connectivity	
DIMENSIONS: 單位: 耗 mm		CHK			
TOLERANCES UNLESS OTHERWISE SPECIFIED: 一般公差		APVD		NAME 名称	
0 PLC ± 1 PLC ± 2 PLC ± ±0.3 3 PLC ± 4 PLC ± ANGLES ±		PRODUCT SPEC 製品規格		REC ASSY A-FREE S-ATA H7.5	
MATERIAL 材料		WEIGHT		SIZE CAGE CODE DRAWING NO 番号	
FINISH 仕上		CUSTOMER DRAWING		A3 00779 1827335	
		SCALE 尺度 NTS		RESTRICTED TO	
		SHEET 3 OF 3		REV E1	