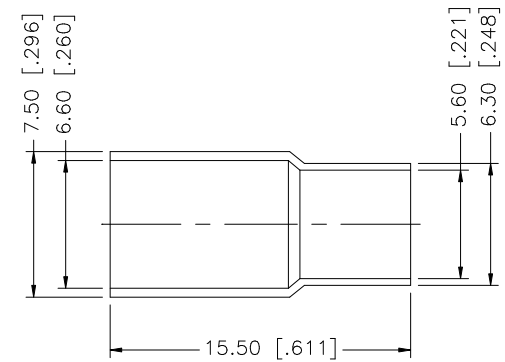
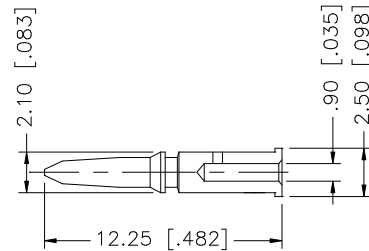
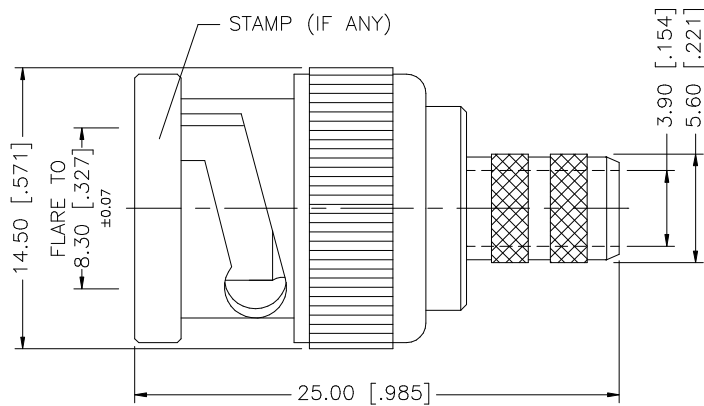
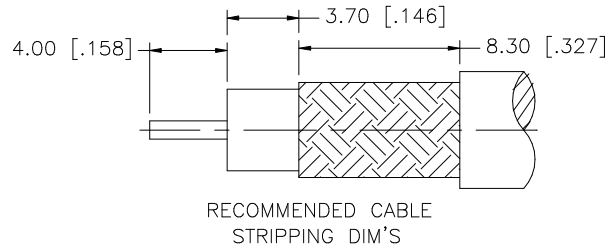


REV.	DATE	DESCRIPTION
A	06/06/05	UPDATE DRAWING FORMAT
B	01/22/07	MODIFY CONTACT PIN I.D. TO 0.9mm



NOTE:

1. CRIMPED FERRULE HEX CRIMP SIZE .255"
2. CRIMPED CONTACT PIN HEX CRIMP SIZE .068"

				UNLESS OTHERWISE SPECIFIED DIMENSIONS ARE IN MILLIMETERS. DIMENSIONS IN [] ARE IN INCHES AND FOR CUSTOMER REFERENCE ONLY.	APPROVALS	DATE	<h1 style="color: blue; text-align: center;">Amphenol Connex</h1>								
8				UNLESS OTHERWISE SPECIFIED TOLERANCES FOR MILLIMETERS ARE: 0.5 - 8mm ± 0.20mm 8 - 30mm ± 0.40mm 30 - 120mm ± 0.50mm UNLESS OTHERWISE SPECIFIED TOLERANCES FOR INCHES ARE: .020 - .315 = ± 0.007" .315 - 1.180 = ± 0.015" 1.180 - 4.724 = ± 0.020" DO NOT SCALE DRAWING	DRAWN	G.R.S.					01/22/07	BNC CRIMP PLUG (FOR RG-59/U 20AWG CONTACT)			
7					CHECKED			PART DESCRIPTION 112544							
6					ISSUED										
5	FERRULE	COPPER	NICKEL		1	SHEET	1 OF 1	DWG. NO. 112544.DWG							
4	GASKET	RUBBER	RED	1			REV. B SIZE A SCALE NA								
3	INSULATOR	DELTRIN	NATURAL	1											
2	CONTACT PIN	BRASS	GOLD	1											
1	SHELL/BODY	BRASS	NICKEL	1											
DESCRIPTION MATERIAL FINISH QTY					CAD FILE		C:/112/112544.DWG								