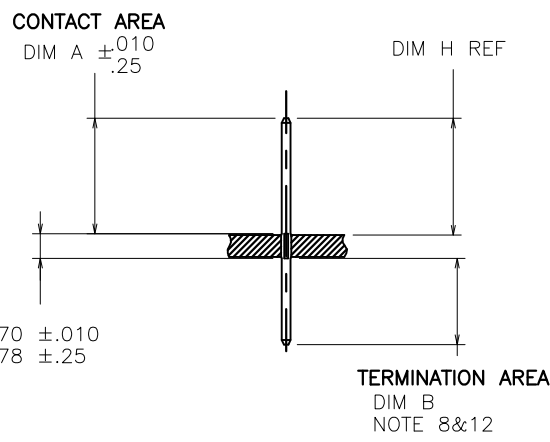
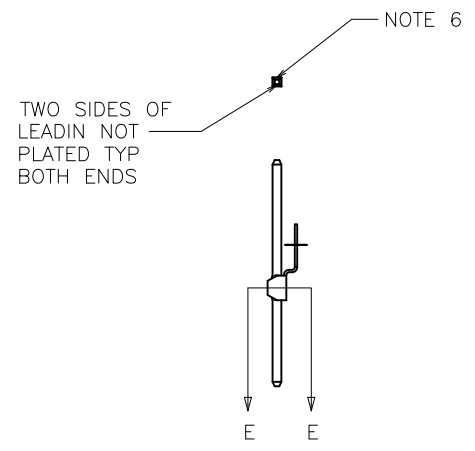
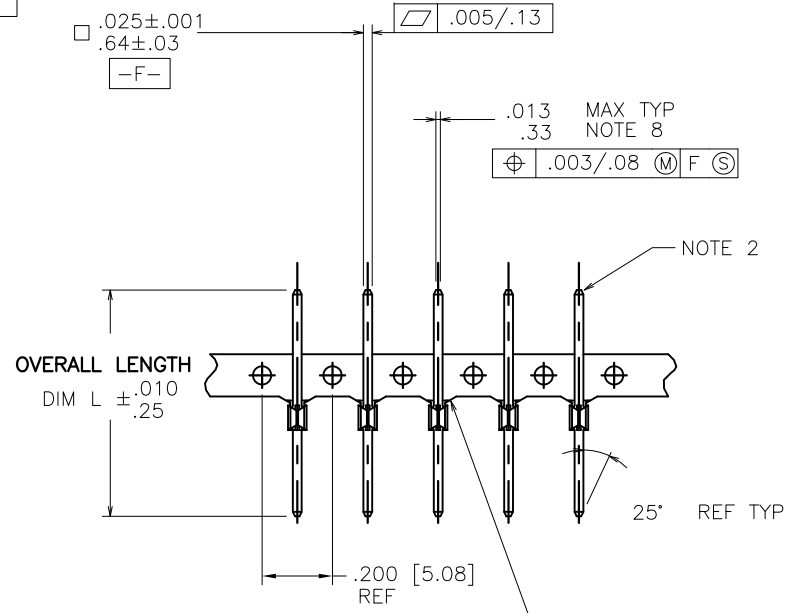


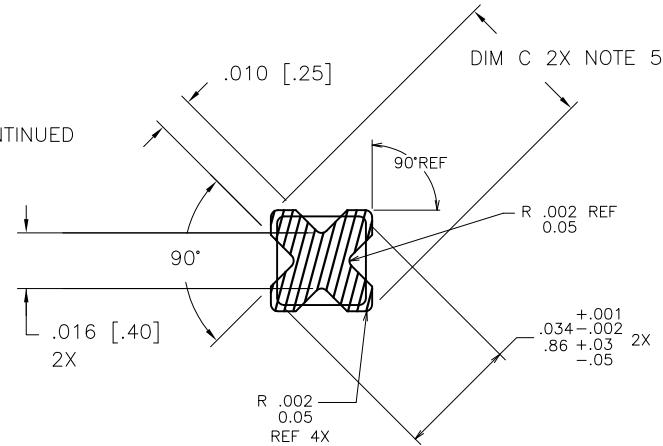
PRODUCT NUMBER
SEE TABLE



| | | | | | | | | | |
|-------------|----------|------------|------------|------------|---------------------|------------------|-------|------------------------|--|
| mat'l. code | | surface | | tolerance | | projection | | product family | |
| SEE NOTE 1 | | ASME Y14.5 | | ASME Y14.5 | | INCH/MM | | PIN PRODUCTS | |
| ltr | ecn no | dr | date | angles | fin | fin | scale | title | |
| BC | V08-0353 | HTB | 2008-08-14 | 0° ±2' | XX*.01/X*.3 | XXX*.005/XXX*.13 | 1:1 | BERGPIN® .200"[5.08]cc | |
| BD | V08-0496 | HTB | 2008-11-12 | | | | | .039"[0.99] DIA. STAR | |
| BE | V10-0386 | HTB | 2010-10-20 | | XXXX*.0020/XXX*.051 | | | dwg no | |
| | | | | | | | | sheet 1 of 5 size | |
| AY | V01279 | LSS | 2000-05-25 | enfr | M. CORNMAN | | | 75401 | |
| BA | V05-0399 | HTB | 2005-04-28 | chr | K.D. PATEL | | | A4 | |
| BB | V06-0684 | HTB | 2006-07-21 | appd | E. IORFIDO | | | type | |
| | | | | | E. IORFIDO | | | CUSTOMER Drawing | |
| sheet | revision | BE | BE | BE | BE | BE | | | |
| index | sheet | 1 | 2 | 3 | 4 | 5 | | | |

| PRODUCT NUMBER NOTE 14 | PLATING | UNDERPLATING |
|---------------------------|--|--------------------------------|
| 75401-YYY | 30μ" [0.76μ] MIN Au | 50μ" [1.27μ] MIN Ni |
| 75401-YYLFL | | |
| 75403-YYY | 50μ" [1.27μ] MIN Au | 50μ" [1.27μ] MIN Ni |
| 75403-YYLFL | | |
| 75404-YYY | 120μ" [3.05μ] MIN 93/7 SnPb | 50μ" [1.27μ] MIN Ni |
| 75404-YYLFL | 100μ" [2.54μ] MIN Sn (NOTE 15) | 50μ" [1.27μ] MIN Ni |
| 75405-YYY | 30μ" [0.76μ] MIN GXT™ | 50μ" [1.27μ] MIN Ni |
| 75405-YYLFL | | |
| 75406-YYY | 15μ" [0.38μ] MIN GXT™ | 50μ" [1.27μ] MIN Ni |
| 75406-YYLFL | | |
| 75409-YYY | 15μ" [0.38μ] MIN Au | 50μ" [1.27μ] MIN Ni |
| 75409-YYLFL | | |

DISCONTINUED



SCALE 10/1
WITHOUT FERRULE

NOTES:

1. PIN MATERIAL: PHOS-BRONZE 3/4 HARD ASTM B-159-66.
2. BURNISH MARKS ON PIN PERMITTED. BURR .003 [0.08] MAX TYP
BULGE .0005 [0.013] MAX TYP.
3. SEE PRODUCT SPECIFICATION BUS-12-064 FOR P.C. BOARD HOLE DIAMETER AND P.C. BOARD HOLE PLATING INFORMATION.
4. FOR MANUFACTURING PURPOSES ONLY.
5. THE .039+.001,-.002 [0.99+.03,-.05] FEATURE SHALL BE CONCENTRIC TO THE WIRE DIAGONAL WITHIN .004 [0.10] TIR.
6. .002 [0.05] R MAX TYP 4 PLACES ON WIRE WRAP PORTION OF PIN.
7. USE FIRST TWO DIGITS OF "H" DIMENSION FOR DASH NUMBER OF PUNCH FROM MACHINE EPL;
PUNCH P/N FROM EPL
EXAMPLE: BP161A-XXXXXX-023
75402-001 "H" .062 [1.57]. BD,=.235
BP151 -YYYYY-023
BP171 -ZZZZZ-023
8. IF "B" DIM. IS .235 [5.96] OR LESS, THE MAX. FLAT MAY BE .016 [0.41].
9. TOLERANCE: +.001 [0.03],-.002 [0.05].
10. TOLERANCE: ±.001 [0.03].
11. NOT RECOMMENDED FOR BP 161 STYLE MACHINES.
12. IF DIMENSION B IS LESS THAN .030 [0.76], THE MAX FLAT MAY BE .016 [0.41] REF WITH .010 [0.25] LONG LEAD-IN ANGLES.

13. CENTER LINE OF TERMINAL MUST BE IN A TRUE POSITION WITHIN .015 [0.38] DIA. WITH RESPECT TO THE HOLE AXIS AFTER INSERTION IN PC BOARD.
14. ADD AN LF SUFFIX TO PART NUMBERS FOR PRODUCT THAT MEETS EUROPEAN UNION DIRECTIVES AND OTHER COUNTRY REGULATIONS AS DESCRIBED IN GS-22-008.
15. THIS PRODUCT HAS 100% TIN PLATING IN THE INTERFACE AND HAS NOT BEEN TESTED FOR WHISKER GROWTH IN ALL INTERCONNECT ENVIRONMENTS.

| | | | | | | | | | |
|-------------|----------------|------------|------|---------------------------------------|-----------------------|------------|--|------------------------|--|
| mat'l. code | | surface | | tolerance | | projection | | product family | |
| SEE NOTE 1 | | ASME Y14.5 | | ASME Y14.5 | | INCH/MM | | PIN PRODUCTS | |
| ltr | ecn no | dr | date | tolerances unless otherwise specified | | scale | | title | |
| BE | | | | angles | XX*.01/X*.3 | 1:1 | | BERGPIN® .200"[5.08]cc | |
| | | | | line | XXX*.005/XX*.13 | | | .039"[0.99] DIA. STAR | |
| | | | | 0° ±2' | XXXX*.0020/XXX*.051 | | | dwg no | |
| | | | | dr | M. CORNMAN 1990-02-22 | | | sheet 2 of 5 | |
| | | | | engr | K.D. PATEL 1990-02-22 | | | size | |
| | | | | chr | E. IORFIDO 1992-12-21 | | | 75401 | |
| | | | | appd | E. IORFIDO 1992-12-21 | | | A4 | |
| sheet index | revision sheet | | | | | | | type CUSTOMER Drawing | |



| PRODUCT NUMBER NOTE 14 | CONTACT AREA DIM A | TERMINATION AREA DIM B | DIM C | | DIM H FOR .062 BOARD 1.57 | DIM H FOR .093 BOARD 2.36 | DIM H FOR .125 BOARD 3.18 | OVERALL LENGTH DIM L | CUSTOMER RESTRICTED |
|---------------------------|-----------------------|---------------------------|----------|--------|---------------------------------|---------------------------------|---------------------------------|-------------------------|---------------------|
| 7540X-001 | .230/5.84 | .045/1.14 | .039/.99 | NOTE 9 | .235/5.97 | .220/5.59 | .205/5.21 | .345/8.76 | NO |
| 7540X-002 | .265/6.73 | .045/1.14 | .039/.99 | NOTE 9 | .270/6.86 | .255/6.48 | .240/6.10 | .380/9.65 | NO |
| 7540X-003 | .345/8.76 | .045/1.14 | .039/.99 | NOTE 9 | .350/8.89 | .335/8.51 | .320/8.13 | .460/11.68 | NO |
| 7540X-004 | .400/10.16 | .045/1.14 | .039/.99 | NOTE 9 | .405/10.29 | .390/9.91 | .375/9.53 | .515/13.08 | NO |
| 7540X-005 | .415/10.54 | .045/1.14 | .039/.99 | NOTE 9 | .420/10.67 | .405/10.29 | .390/9.91 | .530/13.46 | NO |
| 7540X-006 | .435/11.05 | .045/1.14 | .039/.99 | NOTE 9 | .440/11.18 | .425/10.80 | .410/10.41 | .550/13.97 | NO |
| 7540X-007 | .465/11.81 | .045/1.14 | .039/.99 | NOTE 9 | .470/11.94 | .455/11.56 | .440/11.18 | .580/14.73 | NO |
| 7540X-008 | .515/13.08 | .045/1.14 | .039/.99 | NOTE 9 | .520/13.21 | .505/12.83 | .490/12.45 | .630/16.00 | NO |
| 7540X-009 | .570/14.48 | .045/1.14 | .039/.99 | NOTE 9 | .575/14.61 | .560/14.22 | .545/13.84 | .685/17.40 | NO |
| 7540X-010 | .585/14.86 | .045/1.14 | .039/.99 | NOTE 9 | .590/14.99 | .575/14.61 | .560/14.22 | .700/17.78 | NO |
| 7540X-011 | .635/16.13 | .045/1.14 | .039/.99 | NOTE 9 | .640/16.26 | .625/15.88 | .610/15.49 | .750/19.05 | NO |
| 7540X-012 | .655/16.64 | .045/1.14 | .039/.99 | NOTE 9 | .660/16.76 | .645/16.38 | .630/16.00 | .770/19.56 | NO |
| 7540X-013 | .745/18.92 | .045/1.14 | .039/.99 | NOTE 9 | .750/19.05 | .735/18.67 | .720/18.29 | .860/21.84 | NO |
| 7540X-014 | .265/6.73 | .245/6.22 | .039/.99 | NOTE 9 | .270/6.86 | .255/6.48 | .240/6.10 | .580/14.73 | NO |
| 7540X-015 | .345/8.76 | .245/6.22 | .039/.99 | NOTE 9 | .350/8.89 | .335/8.51 | .320/8.13 | .660/16.76 | NO |
| 7540X-016 | .400/10.16 | .245/6.22 | .039/.99 | NOTE 9 | .405/10.29 | .390/9.91 | .375/9.53 | .715/18.16 | NO |
| 7540X-017 | .465/11.81 | .245/6.22 | .039/.99 | NOTE 9 | .470/11.94 | .455/11.56 | .440/11.18 | .780/19.81 | NO |
| 7540X-018 | .570/14.48 | .245/6.22 | .039/.99 | NOTE 9 | .575/14.61 | .560/14.22 | .545/13.84 | .885/22.48 | NO |
| 7540X-019 | .625/15.88 | .245/6.22 | .039/.99 | NOTE 9 | .630/16.00 | .615/15.62 | .600/15.24 | .940/23.88 | NO |
| 7540X-020 | .655/16.64 | .245/6.22 | .039/.99 | NOTE 9 | .660/16.76 | .645/16.38 | .630/16.00 | .970/24.64 | NO |
| 7540X-021 | .265/6.73 | .355/9.02 | .039/.99 | NOTE 9 | .270/6.86 | .255/6.48 | .240/6.10 | .690/17.53 | NO |
| 7540X-022 | .345/8.76 | .355/9.02 | .039/.99 | NOTE 9 | .350/8.89 | .335/8.51 | .320/8.13 | .770/19.56 | NO |
| 7540X-023 | .400/10.16 | .355/9.02 | .039/.99 | NOTE 9 | .405/10.29 | .390/9.91 | .375/9.53 | .825/20.96 | NO |
| 7540X-024 | .465/11.81 | .355/9.02 | .039/.99 | NOTE 9 | .470/11.94 | .455/11.56 | .440/11.18 | .890/22.61 | NO |
| 7540X-025 | .570/14.48 | .355/9.02 | .039/.99 | NOTE 9 | .575/14.61 | .560/14.22 | .545/13.84 | .995/25.27 | NO |
| 7540X-026 | .625/15.88 | .355/9.02 | .039/.99 | NOTE 9 | .630/16.00 | .615/15.62 | .600/15.24 | 1.050/26.67 | NO |
| 7540X-027 | .655/16.64 | .355/9.02 | .039/.99 | NOTE 9 | .660/16.76 | .645/16.38 | .630/16.00 | 1.080/27.43 | NO |
| 7540X-028 | .305/7.75 | .035/0.89 | .039/.99 | NOTE 9 | .310/7.87 | .295/7.49 | .280/7.11 | .410/10.41 | NO |
| 7540X-029 | .755/19.18 | .345/8.76 | .039/.99 | NOTE 9 | .760/19.30 | .745/18.92 | .730/18.54 | 1.170/29.72 | NO |
| 7540X-030 | .710/18.03 | .345/8.76 | .039/.99 | NOTE 9 | .715/18.16 | .700/17.78 | .685/17.40 | 1.125/28.58 | NO |
| 7540X-031 | .545/13.84 | .198/5.03 | .039/.99 | NOTE 9 | .550/13.97 | .535/13.59 | .520/13.21 | .813/20.65 | NO |
| 7540X-032 | | | | | | | | | DISCONTINUED |
| 7540X-033 | .335/8.51 | .375/9.53 | .039/.99 | NOTE 9 | .340/8.64 | .325/8.26 | .310/7.87 | .780/19.81 | NO |
| 7540X-034 | .535/13.59 | .045/1.14 | .039/.99 | NOTE 9 | .540/13.72 | .525/13.34 | .510/12.95 | .650/16.51 | NO |
| 7540X-035 | .560/14.22 | .260/6.60 | .039/.99 | NOTE 9 | .565/14.35 | .550/13.97 | .535/13.59 | .890/22.61 | NO |

A

A

B

B

| | | | | | |
|---------------------------|----------------|-----------------------|-------------------------|--|--------------------------------|
| mat'l. code SEE NOTE 1 | | surface ASME Y14.5 | tolerance ASME Y14.5 | projection | product family PIN PRODUCTS |
| ltr | ecn no | dr | date | tolerances unless otherwise specified | title |
| BE | | | | angles XX+01/XX+3 XXX+005/XXX+13 | INCH/MM |
| | | | | 0' ±2' | scale 1:1 |
| | | dr | M. CORNMAN | 1990-02-22 | dwg no |
| | | engr | K.D. PATEL | 1990-02-22 | sheet 3 of 5 |
| | | chr | E. IORFIDO | 1992-12-21 | size |
| | | appd | E. IORFIDO | 1992-12-21 | A4 |
| sheet index | revision sheet | | | | type CUSTOMER Drawing |



| PRODUCT NUMBER NOTE 14 | CONTACT AREA DIM A | TERMINATION AREA DIM B | DIM C | DIM H FOR .062 1.57 BOARD | DIM H FOR .093 2.36 BOARD | DIM H FOR .125 3.18 BOARD | OVERALL LENGTH DIM L | CUSTOMER RESTRICTED |
|---------------------------|-----------------------|---------------------------|------------------|---------------------------------|---------------------------------|---------------------------------|-------------------------|---------------------|
| 7540X-036 | .510/12.95 | .381/9.68 | .039/.99 NOTE 9 | .515/13.08 | .500/12.70 | .485/12.32 | .961/24.41 | NO |
| 7540X-037 | .325/8.26 | .101/2.57 | .039/.99 NOTE 9 | .330/8.38 | .315/8.00 | .300/7.62 | .496/12.60 | NO |
| 7540X-038 | .595/15.11 | .330/8.38 | .039/.99 NOTE 9 | .600/15.24 | .585/14.86 | .570/14.48 | .995/25.27 | NO |
| 7540X-039 | .755/19.18 | .065/1.65 | .039/.99 NOTE 9 | .760/19.30 | .745/18.92 | .730/18.54 | .890/22.61 | NO |
| 7540X-040 | .315/8.00 | .395/10.03 | .039/.99 NOTE 9 | .320/8.13 | .305/7.75 | .290/7.37 | .780/19.81 | NO |
| 7540X-041 | .230/5.84 | .080/2.03 | .039/.99 NOTE 9 | .235/5.97 | .220/5.59 | .205/5.21 | .380/9.65 | NO |
| 7540X-042 | .870/22.10 | .045/1.14 | .039/.99 NOTE 9 | .875/22.23 | .860/21.84 | .845/21.46 | .985/25.02 | NO |
| 7540X-043 | .504/12.80 | .329/8.36 | .039/.99 NOTE 9 | .509/12.80 | .494/12.55 | .479/12.17 | .900/22.86 | NO |
| 7540X-044 | .324/8.23 | .056/1.42 | .039/.99 NOTE 9 | .329/8.36 | .314/7.98 | .299/7.60 | .450/11.43 | NO |
| 7540X-045 | .499/12.68 | .056/1.42 | .039/.99 NOTE 9 | .504/12.80 | .489/12.42 | .474/12.04 | .625/15.88 | NO |
| 7540X-046 | .430/10.92 | .535/13.59 | .039/.99 NOTE 9 | .435/11.05 | .420/10.67 | .405/10.29 | 1.035/26.29 | NO |
| 7540X-047 | .375/9.53 | .070/1.78 | .039/.99 NOTE 9 | .380/9.65 | .365/9.27 | .350/8.89 | .515/13.08 | NO |
| 7540X-048 | .375/9.53 | .275/6.99 | .039/.99 NOTE 9 | .380/9.68 | .365/9.27 | .350/8.89 | .720/18.29 | NO |
| 7540X-049 | .545/13.84 | .070/1.78 | .039/.99 NOTE 9 | .550/13.97 | .535/13.59 | .520/13.21 | .685/17.40 | NO |
| 7540X-050 | .313/7.95 | .317/8.05 | .039/.99 NOTE 9 | .318/8.08 | .303/7.70 | .288/7.32 | .700/17.78 | NO |
| 7540X-051 | .320/8.13 | .045/1.14 | .039/.99 NOTE 9 | .325/8.26 | .310/7.87 | .295/7.49 | .435/11.05 | NO |
| 7540X-052 | .620/15.75 | .590/14.99 | .039/.99 NOTE 9 | .625/15.88 | .610/15.49 | .595/15.11 | 1.280/32.51 | NO |
| 7540X-053 | .245/6.22 | .045/1.14 | .039/.99 NOTE 9 | .250/6.35 | .235/5.97 | .220/5.59 | .360/9.14 | NO |
| 7540X-054 | .623/15.82 | .270/6.86 | .039/.99 NOTE 9 | .628/15.95 | .613/15.57 | .598/15.19 | .963/24.46 | NO |
| 7540X-055 | .684/17.37 | .046/1.17 | .039/.99 NOTE 9 | .689/17.50 | .674/17.12 | .659/16.74 | .800/20.32 | NO |
| 7540X-056 | .295/7.49 | .187/4.75 | .039/.99 NOTE 9 | .300/7.62 | .285/7.24 | .270/6.86 | .552/14.02 | NO |
| 7540X-057 | .785/19.94 | .045/1.14 | .039/.99 NOTE 9 | .790/20.07 | .775/19.69 | .760/19.30 | .900/22.86 | NO |
| 7540X-058 | .747/18.97 | .518/13.16 | .039/.99 NOTE 9 | .752/19.10 | .737/18.72 | .722/18.34 | 1.335/33.91 | NO |
| 7540X-059 | .230/5.84 | .130/3.30 | .039/.99 NOTE 9 | .235/5.97 | .220/5.59 | .205/5.20 | .430/10.99 | NO |
| 7540X-060 | .400/10.16 | .440/11.18 | .039/.99 NOTE 9 | .405/10.29 | .390/9.91 | .375/9.53 | .910/23.11 | NO |
| 7540X-061 | .280/7.11 | .192/4.88 | .039/.99 NOTE 9 | .285/7.24 | .270/6.86 | .255/6.48 | .542/13.77 | NO |
| 7540X-062 | .280/7.11 | .085/2.16 | .039/.99 NOTE 9 | .285/7.24 | .270/6.86 | .255/6.48 | .435/11.05 | NO |
| 7540X-063 | .100/2.54 | .050/1.27 | .039/.99 NOTE 9 | .105/2.67 | N/A | N/A | .220/5.59 | NO |
| 7540X-064 | .380/9.65 | .650/16.51 | .038/.97 NOTE 10 | .385/9.78 | .370/9.40 | .355/9.02 | 1.100/27.94 | YES |
| 7540X-065 | .610/15.49 | .030/.76 | .038/.97 NOTE 10 | .615/15.62 | .600/15.24 | .585/14.86 | .710/18.03 | YES |
| 7540X-066 | .822/20.88 | .045/1.14 | .039/.99 NOTE 9 | .827/21.01 | .812/20.63 | .797/20.24 | .937/23.80 | NO |
| 7540X-067 | .940/23.88 | .045/1.14 | .039/.99 NOTE 9 | .945/24.00 | .935/23.75 | .920/23.37 | 1.055/26.80 | NO |
| 7540X-068 | .194/4.93 | .042/1.07 | .039/.99 NOTE 9 | .196/4.98 | .181/4.60 | .165/4.19 | .306/7.77 | NO |
| 7540X-069 | .944/23.98 | .041/1.04 | .039/.99 NOTE 9 | .948/24.08 | .933/23.69 | .917/23.29 | 1.055/26.80 | NO |
| 7540X-070 | .650/16.51 | .380/9.65 | .039/.99 NOTE 9 | .655/16.64 | .640/16.26 | .625/15.88 | 1.100/27.94 | NO |

NOTE 11

| | | | | | | | | | | | |
|-------------|--|----------------|--|--|--|----------------------|--|---------------------------------------|--|------------------------|--|
| mat'l. code | | SEE NOTE 1 | | surface ASME Y14.5 <input checked="" type="checkbox"/> | | tolerance ASME Y14.5 | | projection | | product family | |
| ltr | | ecn no | | dr | | date | | tolerances unless otherwise specified | | PIN PRODUCTS | |
| BE | | | | | | | | angles $XX \pm 01/XX \pm 3$ | | title | |
| | | | | | | | | INCH/MM | | BERGPIN® .200"[5.08]cc | |
| | | | | | | | | 0' ±2' | | .039"[0.99] DIA. STAR | |
| | | | | | | | | XXXX*0020/XXX*051 | | scale 1:1 | |
| | | | | | | | | dr M. CORNMAN 1990-02-22 | | dwg no | |
| | | | | | | | | engr K.D. PATEL 1990-02-22 | | sheet 4 of 5 size | |
| | | | | | | | | chr E. IORFIDO 1992-12-21 | | 75401 A4 | |
| | | | | | | | | appd E. IORFIDO 1992-12-21 | | type CUSTOMER Drawing | |
| sheet index | | revision sheet | | | | | | | | | |



| PRODUCT NUMBER NOTE 14 | CONTACT AREA DIM A | TERMINATION AREA DIM B | DIM C | DIM H FOR .062 BOARD 1.57 | DIM H FOR .093 BOARD 2.36 | DIM H FOR .125 BOARD 3.18 | OVERALL LENGTH DIM L | CUSTOMER RESTRICTED | |
|---------------------------|-----------------------|---------------------------|------------------|---------------------------------|---------------------------------|---------------------------------|-------------------------|---------------------|---------|
| 7540X-071 | .610/15.49 | .044/1.12 | .039/.99 NOTE 9 | .614/15.59 | .599/15.21 | .583/14.81 | .724/18.39 | NO | NOTE 11 |
| 7540X-072 | .160/4.06 | .030/.76 | .039/.99 NOTE 9 | .165/4.19 | .150/3.81 | .135/3.43 | .260/6.60 | NO | |
| 7540X-073 | 1.094/27.79 | .037/.94 | .039/.99 NOTE 9 | 1.098/27.89 | 1.083/27.51 | 1.067/27.10 | 1.201/30.51 | NO | NOTE 12 |
| 7540X-074 | .216/5.49 | .024/.61 | .039/.99 NOTE 9 | .220/5.59 | .205/5.21 | .190/4.83 | .310/7.87 | NO | |
| 7540X-075 | .650/16.51 | .380/9.65 | .038/.97 NOTE 10 | .655/16.64 | .640/16.26 | .625/15.88 | 1.100/27.94 | YES | |
| 7540X-076 | .295/7.49 | .025/.64 | .039/.99 NOTE 9 | .300/7.62 | .285/7.23 | .270/6.85 | .390/9.91 | NO | |
| 7540X-077 | .428/10.87 | .025/.64 | .039/.99 NOTE 9 | .433/10.99 | .418/10.61 | .403/10.23 | .523/13.28 | NO | |
| 7540X-078 | .530/13.46 | .025/.64 | .039/.99 NOTE 9 | .535/13.58 | .520/13.20 | .505/12.82 | .625/15.88 | NO | |
| 7540X-079 | .595/15.11 | .025/.64 | .039/.99 NOTE 9 | .600/15.24 | .585/14.85 | .570/14.47 | .690/17.53 | NO | |
| 7540X-080 | .665/16.89 | .025/.64 | .039/.99 NOTE 9 | .670/17.01 | .655/16.63 | .640/16.25 | .760/19.30 | NO | |
| 7540X-081 | .368/9.35 | .045/1.14 | .039/.99 NOTE 9 | .373/9.47 | .358/9.09 | .343/8.71 | .483/12.27 | NO | NOTE 12 |
| 7540X-082 | .846/21.49 | .045/1.14 | .038/.97 NOTE 10 | .851/21.61 | .836/21.23 | .821/20.85 | .961/24.41 | NO | |
| 7540X-083 | .519/13.18 | .502/12.75 | .039/.99 NOTE 9 | .549/13.94 | .534/13.56 | .519/13.18 | 1.091/27.71 | NO | |
| 7540X-084 | .630/16.00 | .159/4.04 | .039/.99 NOTE 9 | .635/16.13 | .620/15.75 | .605/15.37 | .859/21.82 | NO | |
| 7540X-085 | .519/13.18 | .171/4.34 | .039/.99 NOTE 9 | .524/13.31 | .509/12.93 | .494/12.55 | .760/19.30 | NO | |
| 7540X-086 | .926/23.52 | .437/11.10 | .039/.99 NOTE 9 | .931/23.65 | .916/23.27 | .901/22.89 | 1.433/36.40 | NO | |
| 7540X-087 | .230/5.84 | .045/1.14 | .037/.94 NOTE 10 | .235/5.97 | .220/5.59 | .205/5.21 | .345/8.76 | NO | |
| 7540X-088LF | .320/8.13 | .045/1.14 | .036/.91 NOTE 10 | .325/8.26 | .310/7.87 | .295/7.49 | .435/11.05 | NO | |

A

A

B

B

| | | | | | | | | | |
|-------------|----------------|------------|------------|---------------------------------------|---------------------|------------|--------------|------------------------|------------------|
| mat'l. code | | surface | | tolerance | | projection | | product family | |
| SEE NOTE 1 | | ASME Y14.5 | | ASME Y14.5 | | | | PIN PRODUCTS | |
| ltr | ecr no | dr | date | tolerances unless otherwise specified | | INCH/MM | | title | |
| BE | | | | angles | XX*.01/XX*.3 | | | BERGPIN® .200"[5.08]cc | |
| | | | | 0° ±2' | XXX*.005/XXX*.13 | scale 1:1 | | .039"[0.99] DIA. STAR | |
| | | | | | XXXX*.0020/XXX*.051 | | | dwg no | |
| | | dr | M. CORNMAN | 1990-02-22 | | | sheet 5 of 5 | | size |
| | | enrg | K.D. PATEL | 1990-02-22 | | | 75401 | | A4 |
| | | chr | E. IORFIDO | 1992-12-21 | | | type | | CUSTOMER Drawing |
| | | appd | E. IORFIDO | 1992-12-21 | | | | | |
| sheet index | revision sheet | | | | | | | | |