

HONEYWELL
PART NUMBER
4

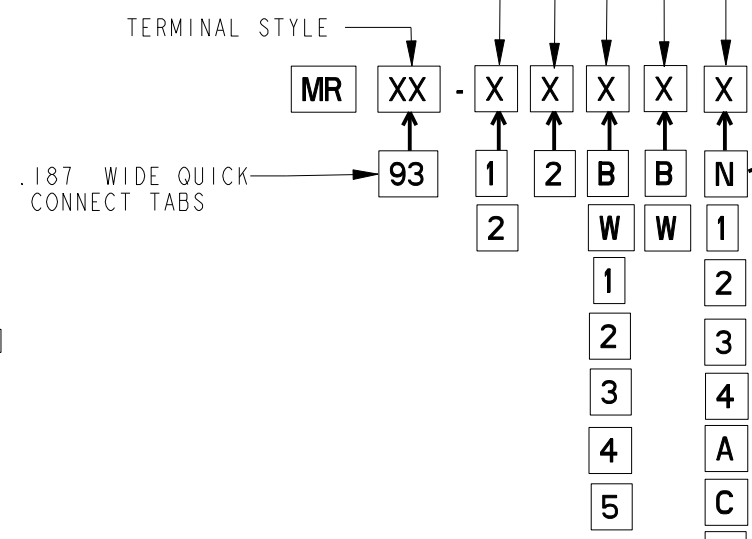
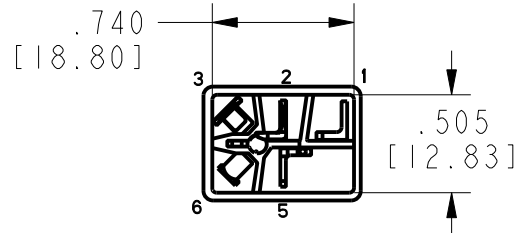
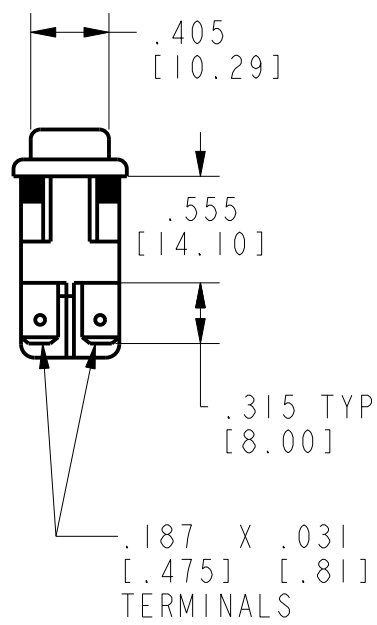
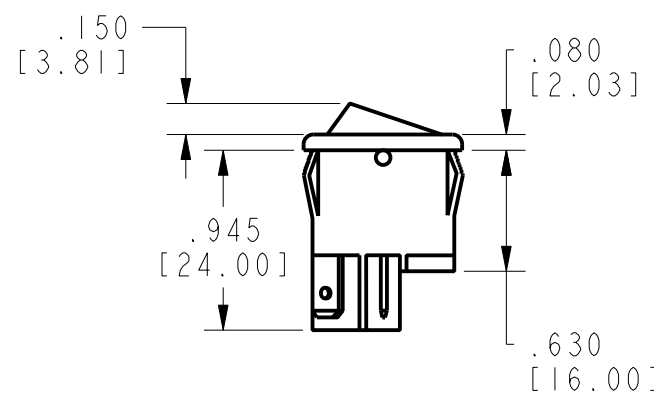
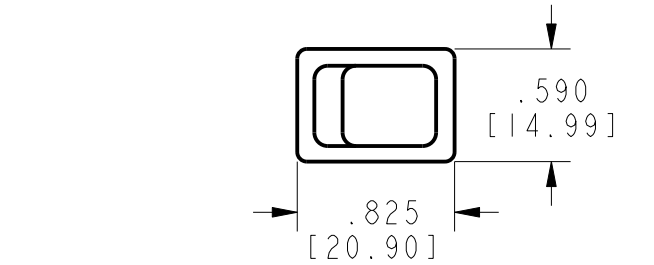
REV	DOCUMENT	CHANGED BY	CHECK
A	0016254	KSR 27OCT05	RJ

ACTUATOR COLOR ⁷
(NON-ILLUMINATED: B=BLACK, W=WHITE)
(ILLUMINATED: 1=CLEAR AMBER, 2=CLEAR RED, 3=CLEAR BLUE, 4=CLEAR GREEN, 5=CLEAR)

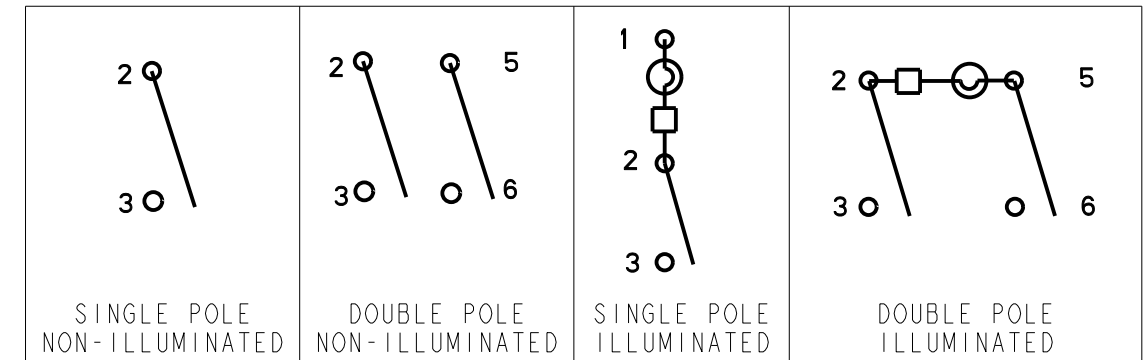
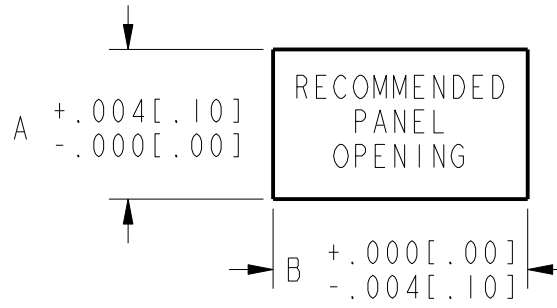
CIRCUITRY ⁵
NUMBER OF POLES ⁵
(1=SP-SINGLE POLE, 2=DP-DOUBLE POLE)

BASE/BEZEL COLOR
(B=BLACK, W=WHITE)

LAMP/ELECTRICAL RATING ⁶



CODE ⁶	LAMP	RATING
N	NON-ILLUMINATED	8A, 250VAC 12A, 125VAC 1/2 HP, 125-250VAC UL, CSA
1	UNBALLASTED LED	N/A
2	6V LED	12A, 6V
3	12V LED	12A, 12V
4	24V LED	12A, 24V
A	6V INCANDESCENT	12A, 6V
C	12V INCANDESCENT	12A, 12V
E	18V INCANDESCENT	12A, 18V
H	24V INCANDESCENT	12A, 24V
J	125V NEON	12A, 125VAC UL, CSA
K	250V NEON	8A, 250VAC UL, CSA



PANEL THICKNESS	A	B
.030 [.76] - .050 [1.27]	.508 [12.90]	.756 [19.20]
.050 [1.27] - .078 [1.98]	.508 [12.90]	.764 [19.40]
.078 [1.98] - .125 [3.17]	.508 [12.90]	.780 [19.81]

CIRCUIT DIAGRAMS ⁵

- 1 - OPERATING TEMPERATURE RANGE : 32°F TO 185°F
- 2 - ELECTRICAL LIFE : 50,000 CYCLES
- 3 - MECHANICAL LIFE : 100,000 CYCLES
- ⁴ SEE DIAGRAM FOR CATALOGING SCHEME
- ⁵ REFER TO APPLICABLE CIRCUIT DIAGRAM
- ⁶ REFER TO TABLE FOR SPECIFIC LAMPS AND ELECTRICAL RATINGS
- ⁷ CLEAR BLUE ACTUATOR ONLY AVAILABLE WITH INCANDESCENT LAMPS

DESIGN UNITS: INCH
TOLERANCES UNLESS NOTED:
NO PLACE X ± 0.040
ONE PLACE .X ± 0.030
TWO PLACE .XX ± 0.015
THREE PLACE .XXX ± 0.005
FOUR PLACE .XXXX ± 0.0005
ANGLES X ± 2

THIRD ANGLE PROJECTION

DRAWN NM 13 JUN 05
CHECK RJ 27OCT05
THIS DRAWING COVERS A PROPRIETARY ITEM AND IS THE PROPERTY OF HONEYWELL. THIS DRAWING IS NOT TO BE COPIED OR USED WITHOUT THE PERMISSION OF HONEYWELL.
INTERPRET PER ASME Y14.5M-1994 OTHER HONEYWELL ENGINEERING STANDARDS MAY APPLY
Pro/ENGINEER 2D

Honeywell

SWITCH , ROCKER

SIZE	TYPE	DRAWING NAME	REV
B	I	MR SERIES CHART 1	A
SCALE	-	SHEET	1 OF 1