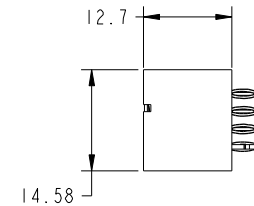
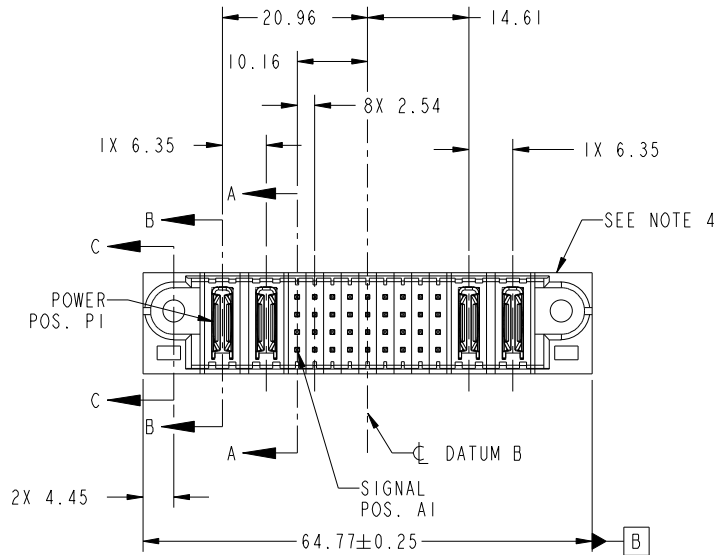


Tous droits strictement reserves. Reproduction ou communication a des tiers interdite sous quelque forme que ce soit sans autorisation écrite du propriétaire. Propriete de c FCI. Droits de reproduction FCI.



All rights strictly reserved. Reproduction or issue to third parties in any form whatever is not permitted without written authority from the proprietor. Property of FCI. Copyright FCI.

PRODUCT NO.	ROWS	POWER		SIGNAL									POWER			
		E1	P1	P2	1	2	3	4	5	6	7	8	9	P3	P4	E2
51710-034-- NOTE ③	D C B A				G	G	G	G	G	G	G	G	K			



CODE	DIM "M" MATING LENGTH	CONTACT TYPE
PC	[N/A]	POWER
G	[6.86]	SIGNAL
HA	[N/A]	HOLD-DOWN
K	[5.59]	SIGNAL

mat'l code				tolerances unless otherwise specified		CUSTOMER			
ltr	ecn no.	dr	date	linear	0.X ±0.5	COPY		www.fciconnect.com	
A	DG09-0239	JW	07/23/09	angles	0.XX ±0.25	projection		title	
					0.XXX ±0.1			2P + 36S + 2P	
				dr	0° ±2°	MIM		VERTICAL PRESS-FIT HEADER	
				enr		scale		product family	
				chr	JULIA WANG 07/01/09	1:1		PwrBlade	
				appd	JULIA WANG 07/01/09			code	
					PM ZHENG 07/01/09			213	
					JOSEPH HSIA 07/01/09			size	
sheet index	revision sheet	A	A	A	A			dwg no	
1	2	3	4					A	
								51710-034	
								sheet	
								1 of 4	
								cage code	
								22526	

Pro/E

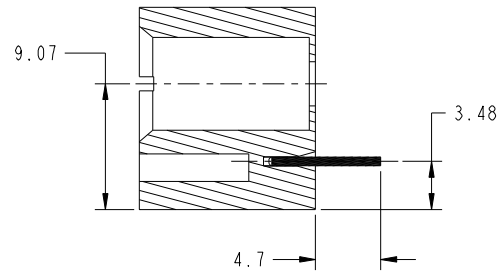
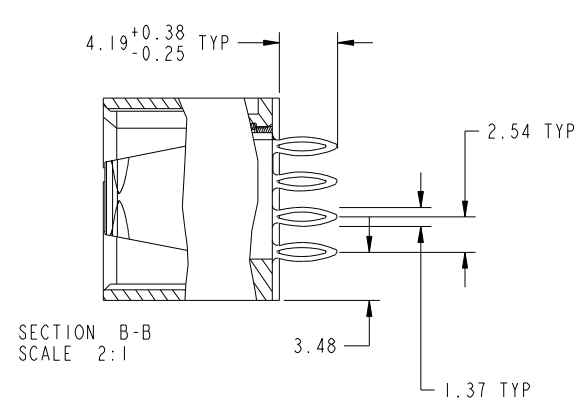
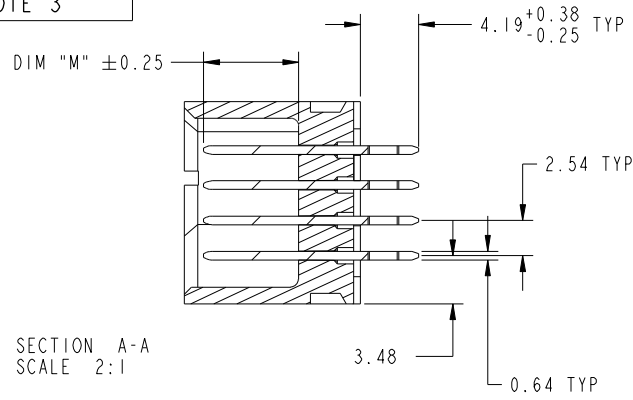
cage code 22526

Tous droits strictement reserves. Reproduction ou communication a des tiers interdite sous quelque forme que ce soit sans autorisation ecrite du proprietaire. Propriete de c FCI. Droits de reproduction FCI.

All rights strictly reserved. Reproduction or issue to third parties in any form whatever is not permitted without written authority from the proprietor. Property of FCI. Copyright FCI.



PRODUCT NUMBER
51710-034__
NOTE 3



SECTION C-C
SCALE 2:1

mat'l code				tolerances unless otherwise specified		CUSTOMER		 www.fciconnect.com	
ltr	ecn no.	dr	date	linear	0.X ±0.5	COPY		title	
A					0.XX ±0.25	projection		2P + 36S + 2P	
				angles	0.XXX ±0.1			VERTICAL PRESS-FIT HEADER	
				dr	0° ±2°			product family PwrBlade code	
				enr	JULIA WANG 07/01/09	scale		size	
				chr	JULIA WANG 07/01/09	1:1		dwg no	
				appd	PM ZHENG 07/01/09			A 51710-034	
					JOSEPH HSIA 07/01/09			sheet	
sheet index		revision sheet						2 of 4	

cage code 22526

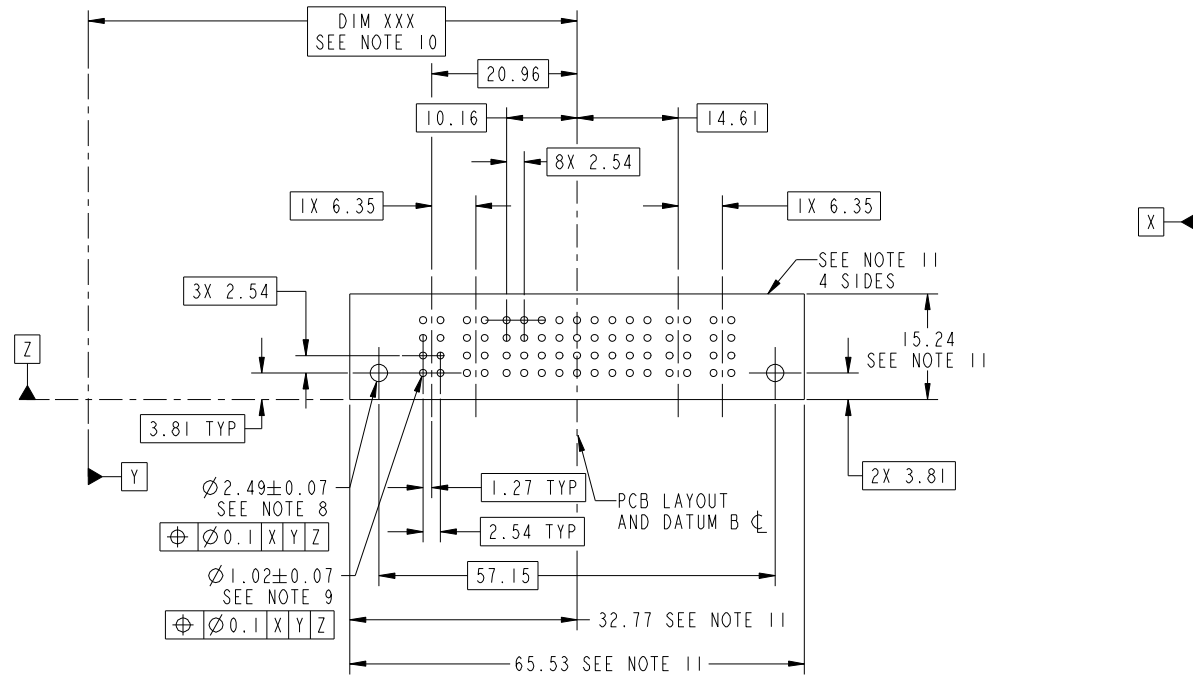
Pro/E

Tous droits strictement reserves. Reproduction ou communication a des tiers interdite sous quelque forme que ce soit sans autorisation écrite du propriétaire. Propriete de c FCI. Droits de reproduction FCI.



All rights strictly reserved. Reproduction or issue to third parties in any form whatever is not permitted without written authority from the proprietor. Property of FCI. Copyright FCI.

PRODUCT NUMBER
51710-034__
NOTE 3



mat'l code				tolerances unless otherwise specified		CUSTOMER			
ltr	ecn no.	dr	date	linear	0.X ± 0.5	COPY		www.fciconnect.com	
A				linear	0.XX ± 0.25	projection		title	
				angles	0.XXX ± 0.1			2P + 36S + 2P VERTICAL PRESS-FIT HEADER	
				dr	0° ± 2°	MIM		product family PwrBlade code	
				enr	JULIA WANG 07/01/09	scale		size	
				chr	JULIA WANG 07/01/09	1:1		dwg no	
				appd	PM ZHENG 07/01/09			51710-034	
					JOSEPH HSIA 07/01/09			sheet	
sheet index		revision sheet						3 of 4	

cage code 22526

Pro/E

Tous droits strictement reserves. Reproduction ou communication a des tiers interdite sous quelque forme que ce soit sans autorisation écrite du propriétaire. Propriete de c FCI. Droits de reproduction FCI.



All rights strictly reserved. Reproduction or issue to third parties in any form whatever is not permitted without written authority from the proprietor. Property of FCI. Copyright FCI.

PRODUCT NUMBER
51710-034--
NOTE 3

NOTES:

1. DIMENSIONS AND TOLERANCES ARE IN ACCORDANCE WITH ASME Y14.5M, 1994 UNLESS OTHERWISE SPECIFIED.

CONNECTOR NOTES:

- 2 HOUSING MATERIAL: UL 94 V-0 GLASS FILLED
HIGH-TEMP THERMOPLASTIC
POWER CONTACT MATERIAL: COPPER ALLOY
SIGNAL PIN MATERIAL: COPPER ALLOY
 - 3. PLATING:
SEE ITEM 3 & 4 IN PRINT 10068143 FOR PLATING SPEC. OF 51710-034 ,51710-034LF RESPECTIVLEY.
 - 4 MANUFACTURER'S NAME, P/N, AND DATE CODE TO APPEAR ON THIS SURFACE.
 - 5. PRODUCT SPECIFICATION GS-12-149.
APPLICATION SPECIFICATION BUS-20-067.
 - 6. PACKAGED IN TRAYS.
- PCB NOTES:
- 7. ALL HOLE DIAMETERS ARE FINISHED HOLE SIZE.
 - 8. MOUNTING HOLES, WHERE APPLICABLE, ARE UNPLATED.
 - 9 $\varnothing 1.151 \pm 0.025$ DRILLED HOLES PLATED WITH
0.008 MIN SnPb OR Sn OVER .001 [0.03]
TO 0.08 Cu PLATING TO ACHIEVE
 $\varnothing 1.02 \pm .07$ HOLE.
 - 10 "DIM XXX" TO BE DETERMINED BY THE CUSTOMER.
 - 11 CONNECTOR KEEP-OUT ZONE.
 - 12. FOR PRESS FIT APPLICATION USE FCI CAM TOOL 430169-XXX.

mat'l code				tolerances unless otherwise specified		CUSTOMER		FCI		www.fciconnect.com	
ltr	ecn no.	dr	date	linear	0.X ± 0.5	COPY		title			
A					0.XX ± 0.25	projection		2P + 36S + 2P			
				angles	0.XXX ± 0.1			VERTICAL PRESS-FIT HEADER			
				dr	0° ± 2°	MIM		product family		PwrBlade	code
				enr	JULIA WANG 07/01/09			size	dwg no		213
				chr	JULIA WANG 07/01/09	scale		A	51710-034		sheet
				appd	PM ZHENG 07/01/09	1:1				4 of 4	
					JOSEPH HSIA 07/01/09						
sheet index	revision sheet										

cage code 22526

Pro/E