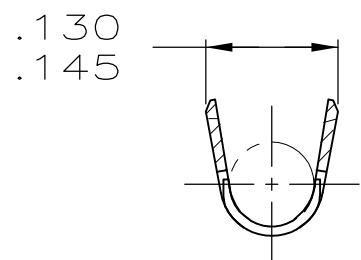
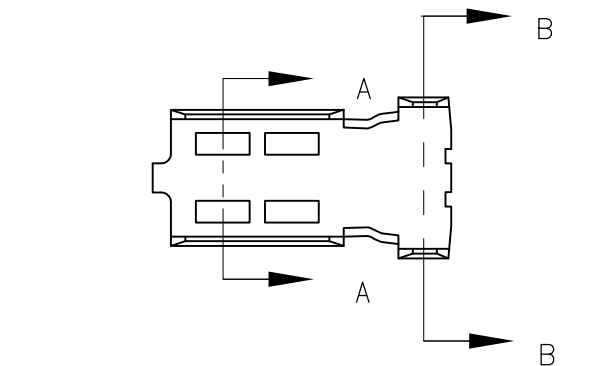
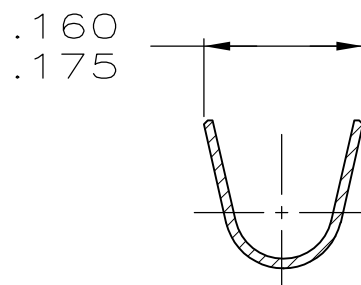
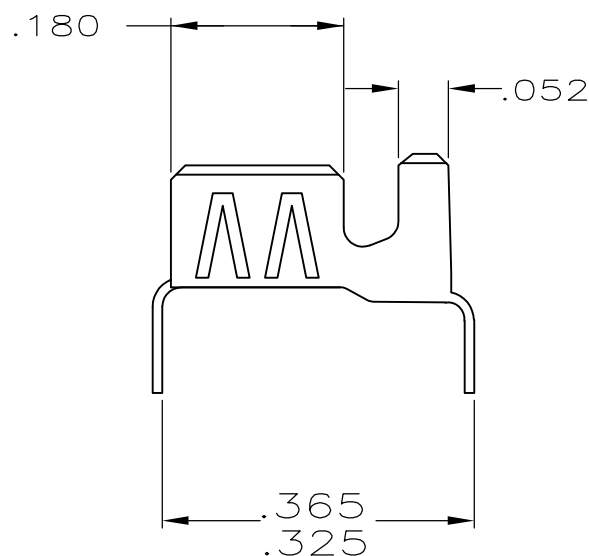


THIS DRAWING IS UNPUBLISHED. RELEASED FOR PUBLICATION
 © COPYRIGHT BY TYCO ELECTRONICS CORPORATION. ALL RIGHTS RESERVED.

LOC	DIST	REVISIONS			
P	LTR	DESCRIPTION	DATE	DWN	APVD
AJ	16	D	RDW & REV PER 0S14-0114-04	05MAY04	JDP JL
		D1	REVISED PER ECO-09-024717	05NOV09	KK AEG

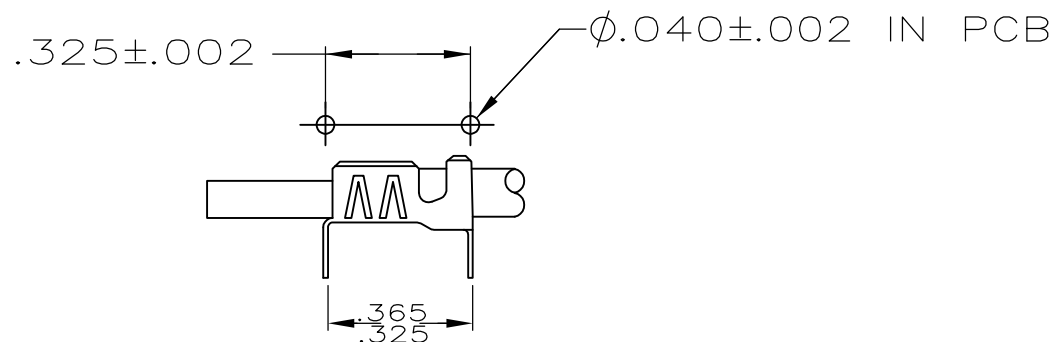


SECTION A-A



SECTION B-B

1. ACCEPT COAX CABLE WITH .095/.110 O.D. JACKETS AND .055/.065 DIELECTRIC O.D. EXAMPLE: RG-174 AND RG-316
2. INSTRUCTION SHEET NO.: 408-2472-2
- 3 TIN-LEAD PLATE PER MIL-P-81728
- 4 TIN PLATE PER ASTM-B-545
5. BRASS PER ASTM-B36, .010 INCHES THICK.
- 6 OBSOLETE PARTS: OBSOLETE CIS STREAMLINING PER D.RENAUD/D.SINISI



BEND TABS AND TERMINATE IN APPLICATOR
 DETAIL A

6	OBSOLETE	4	9-1274043-0
		3	1274043-1
		FINISH	PART NUMBER

THIS DRAWING IS A CONTROLLED DOCUMENT.		DWN JESS CABARLO 1MAY98	Tyco Electronics Corporation Harrisburg, Pa 17105-3608	
DIMENSIONS: INCHES		CHK JESS CABARLO 1MAY98	NAME TERMINAL PCB, COAXIAL	
TOLERANCES UNLESS OTHERWISE SPECIFIED:		APVD -	PRODUCT SPEC -	
0 PLC ± -		APPLICATION SPEC -		
1 PLC ± -		SIZE A3		
2 PLC ± -		CAGE CODE 00779		
3 PLC ± .008		DRAWING NO C-1274043		
4 PLC ± -		RESTRICTED TO -		
ANGLES ± 5°		WEIGHT -		
MATERIAL SEE NOTE 5	FINISH SEE TABLE	CUSTOMER DRAWING		
		SCALE 5:1	SHEET 1 OF 1	REV D1