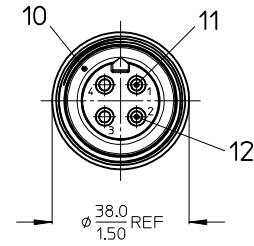
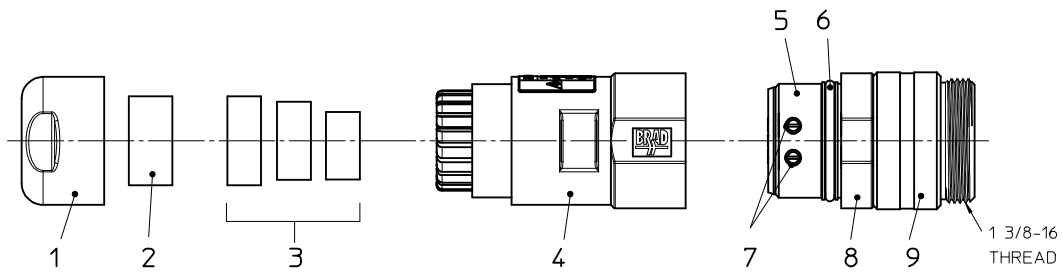
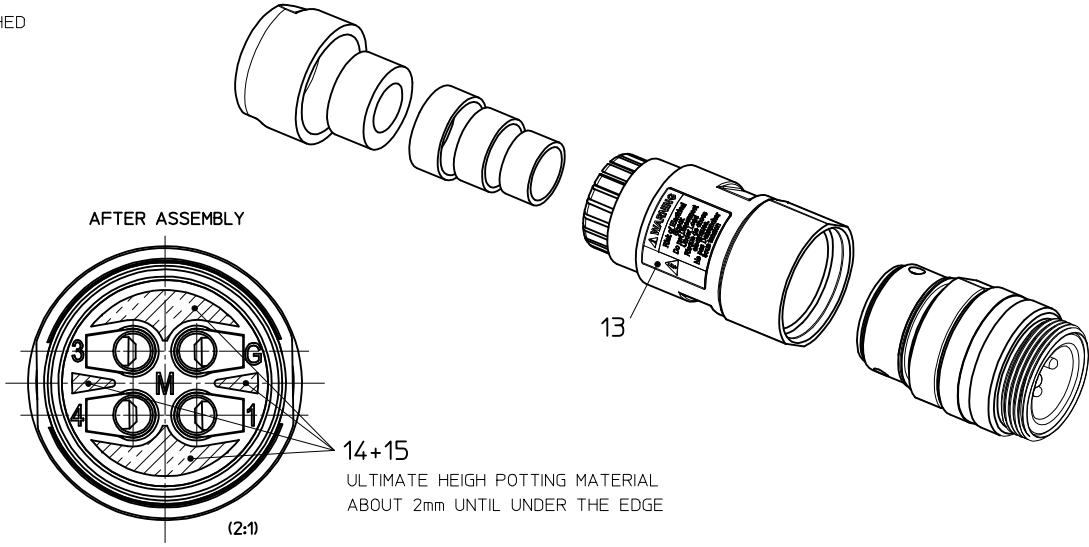
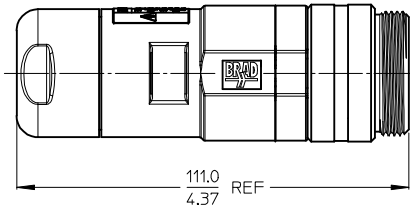


NOTES:

1. MATERIAL: SEE TABLE
2. FINISHES: SEE TABLE
3. PACKAGING: PART IS PACKED IN CLEAR POLY BAG WITH BARCODE LABEL ATTACHED
4. MATES WITH: BRAD FEMALE RECEPTACLE
5. WIRE RANGE: 8 AWG - 14 AWG (10mm<sup>2</sup> - 2.5mm<sup>2</sup>)
6. CABLE OD RANGE: .48 - .81 (12.2mm - 20.6mm)
7. ELECTRICAL SPECIFICATIONS:  
 VOLTAGE RATING: 600V AC  
 CURRENT RATING:  
 8 AWG - 32 AMPS  
 10 AWG - 32 AMPS **(B)**  
 12 AWG - 20 AMPS  
 14 AWG - 15 AMPS
8. ENVIRONMENTAL PROTECTION: IP67, IP69K



ITEM	COMPONENT	MATERIAL	FINISH
1	NUT M32	PA66	BK
2	GASKET MO 14,8x12,25	CR	GY
3	GASKETS MO (SMALL,MEDIUM,LARGE)	CR	BK
4	HOUSING FA M32	PA66	BK
5	INSERT ADAPTER	PA66	BK
6	GASKET OR 29x2,5	NBR	BK
7	SCREW M4x10	V2A	-
8	COUPLING RING	PA66	BK
9	NUT, INTERNAL THREAD	AL	AN (NATUR)
10	INSERT AC	PVC	-
11	CONTACT MA	CU ALLOY	AU PLATED
12	CONTACT MA LEAD, PIN	CU ALLOY	AU PLATED
13	WARNING LABEL	PLASTIC FILM	-
14	POTTING MATERIAL	WEVO RESIN PU 552 FL NATUR 50	-
15	MPIS RESIN HARDNER	-	-

MATERIAL NO.	ENGINEERING NO.
1300700024 (FINISHED PART)	CA4006-39
1203360005 (PRE-ASSEMBLED)	1930 00090 08004

CURRENT WAS 25 AMPS EC NO: IFC2017-0717 DRAWN BY: DRWINRSTONE 2017/01/26 CHKD BY: CHIKDK LOX 2017/01/30 APPR: BWOODMAN 2017/02/04	QUALITY SYMBOLS ▽=0 ▽=0	GENERAL TOLERANCES (UNLESS SPECIFIED) 4 PLACES ± --- ± --- 3 PLACES ± --- ± --- 2 PLACES ± --- ± .01 1 PLACE ± 0.3 ± --- 0 PLACE ± --- ± --- ANGULAR ±1/2° DRAFT WHERE APPLICABLE MUST REMAIN WITHIN DIMENSIONS	DIMENSION STYLE MM/IN DRAWN BY: RSCHIEBER DATE: 2012/10/15 CHECKED BY: APOHL DATE: 2012/10/24 APPROVED BY: CBURGER DATE: 2013/06/03	SCALE: 1:1 DESIGN UNITS: METRIC THIRD ANGLE PROJECTION	TITLE: FA 4P AC MA STR UNSH
	MATERIAL NO. SEE CHART DOCUMENT NO. SD-120336-002		SHEET NO. 1 OF 1		
	THIS DRAWING CONTAINS INFORMATION THAT IS PROPRIETARY TO MOLEX INCORPORATED AND SHOULD NOT BE USED WITHOUT WRITTEN PERMISSION				
	SIZE A2				