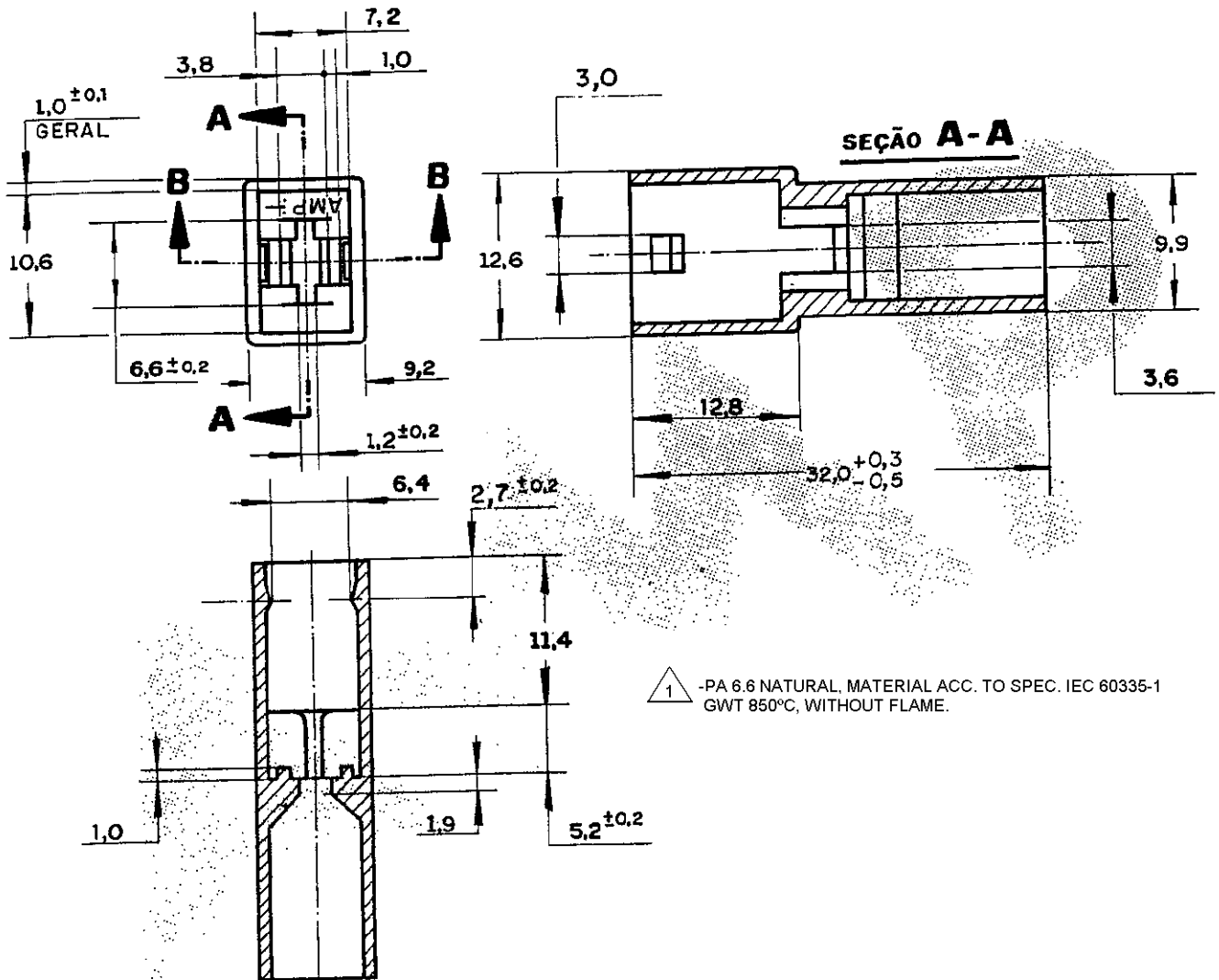


DO NOT SCALE
DIMENSIONS IN MM.

METRIC



△ -PA 6.6 NATURAL, MATERIAL ACC. TO SPEC. IEC 60335-1 GWT 850°C, WITHOUT FLAME.

SEÇÃO B-B

NATURAL	△ NYLON 6.6 V-0	1-	-4
PRETO	NYLON 6.6 V-0	1-	-3
NATURAL	NYLON 6.6 V-0	1-	-2
VERMELHO	NYLON 6.6		-5
PRETO	NYLON 6.6		-2
NATURAL	NYLON 6.6	880309 - 1	

OTHER TREATMENT

FINISH

MATERIAL

PART NUMBER

CUSTOMER DWG
for REFERENCE ONLY

THIS DRAWING IS UNPUBLISHED RELEASED FOR PUBLICATION
© COPYRIGHT 1983 BY AMP DO BRASIL LTDA S.P. ALL INTERNATIONAL RIGHTS RESERVED. AMP PRODUCTS MAY BE COVERED BY U.S. AND FOREIGN PATENTS AND/OR PATENTS PENDING.

TOLERANCES UNLESS OTHERWISE STATED
DEC. ±0.3
ANGLES ±1°

INS. DIA. RANGE WIRE RANGE SCALE

AMP AMP do BRASIL LTDA.
São Paulo, Brasil

DESCRIPTION
1 WAY .250 S. FASTIN - ON TAB. HSG.

M REV. ECO-12-013680 HC WLS 27JUL12

DWG NO

SHEET
1 of 1

ISS REVISION RECORD DR CHK DATE

APR 27 1983 SET 30 83

A4 C 880 309