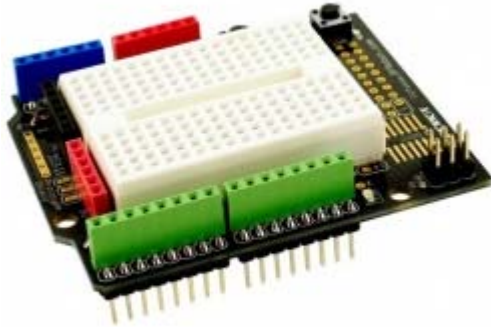




## Prototyping Shield For Arduino



Prototyping Shield For Arduino (SKU: DFR0019)

### Contents

- 1 Introduction
- 2 Specification
- 3 Interface Ports
- 4 Instructions
- 5 Trouble shooting

### Introduction

- PCB used for Arduino Prototyping
- Multilayer PCB design
- All hardware included
- Soldering and assembly required

The *DFRobot Arduino Prototyping Shield* allows you to create a small prototyping board to connect the Arduino Microcontroller. Prior soldering experience is recommended. The components can be welded directly on the board. You can also connect the above mini-bread board circuit. The white Mini-bread Board is included in the package, other colors will be sold separately.

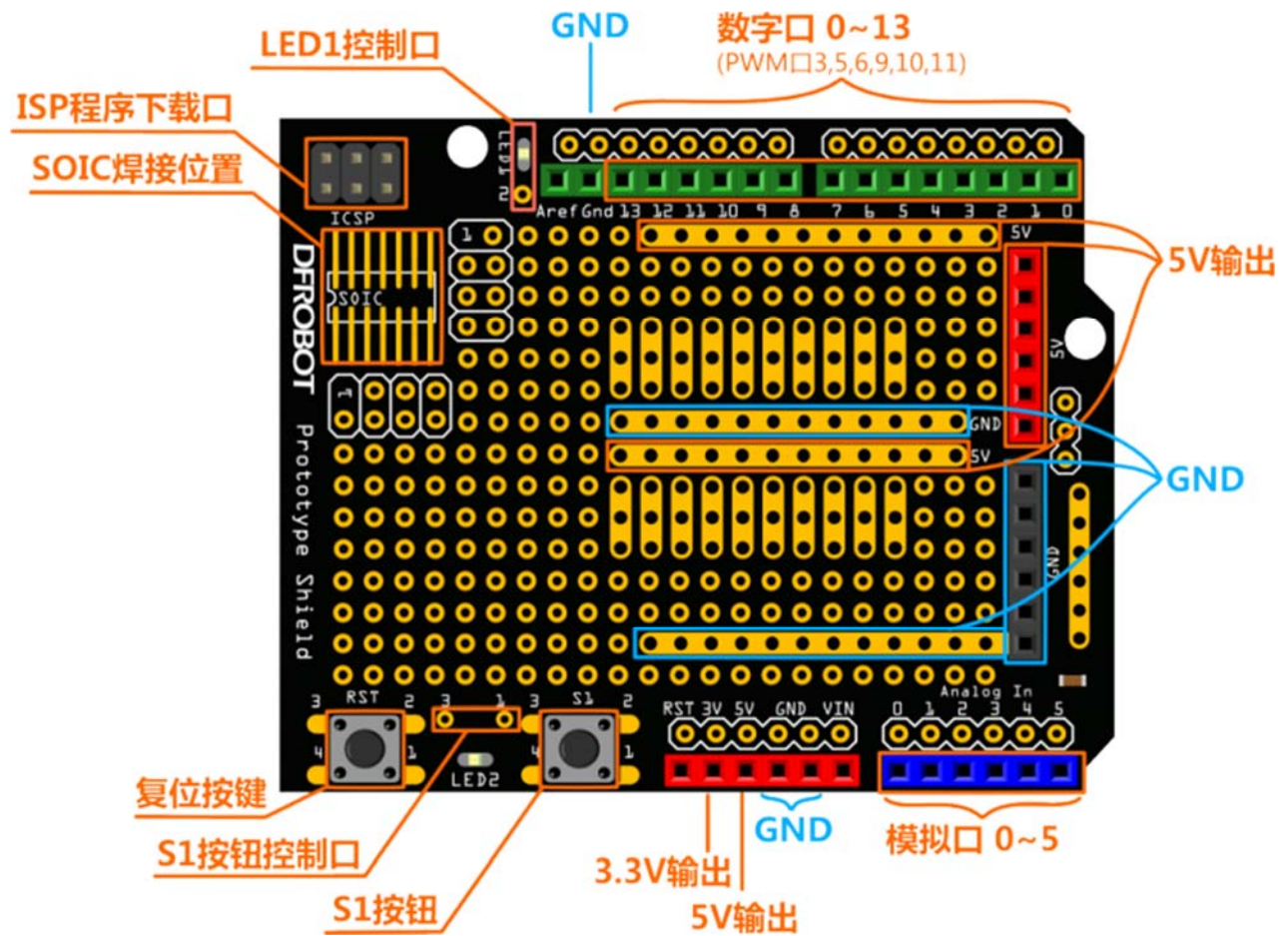
The ProtoShield prototype extension board and two buttons can be used directly with two LED circuits. Power of all pins has led to very fit. The DFRobot Arduino Prototyping Shield builds the circuit with the prototype.

## Specification

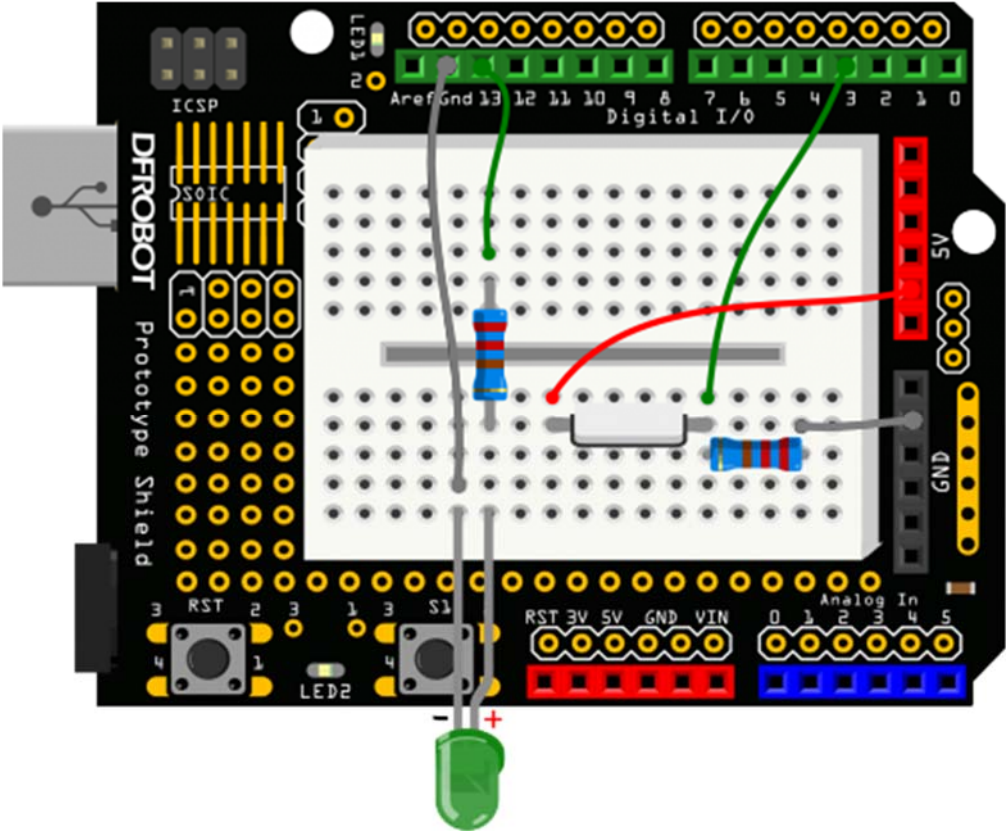
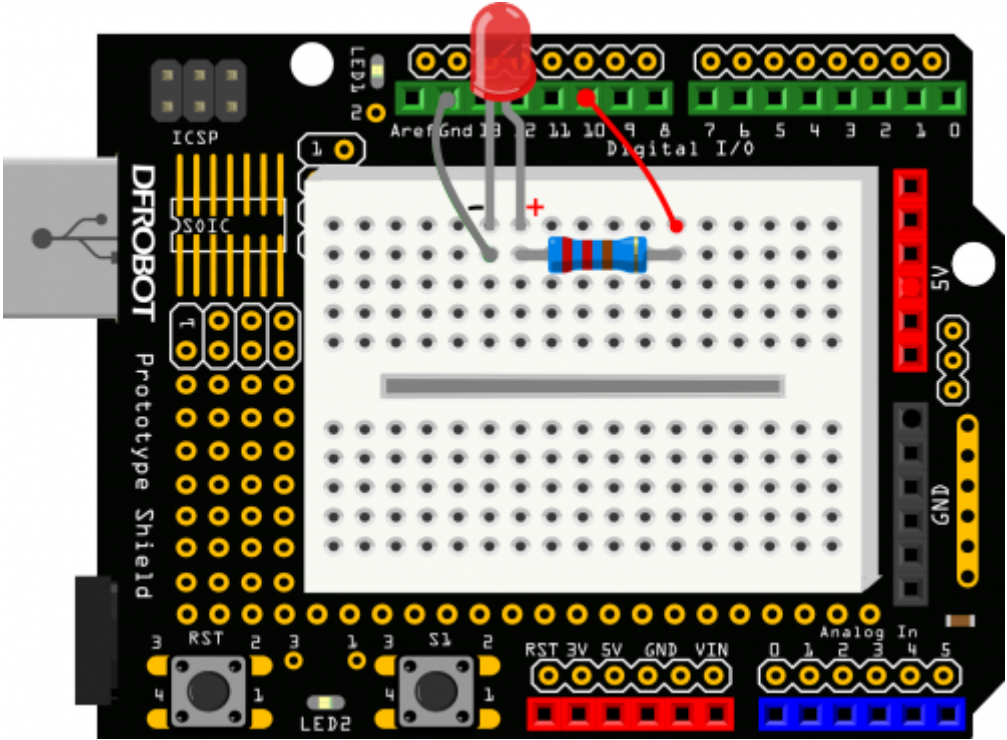
- All Arduino pins are brought to the top level
- 5V, GND, and Vin pins are exposed as well
- BlueSMiRF socket for wireless communication between Arduinos
- 2 general use LEDs
- 1 general use button
- Reset button brought to top level

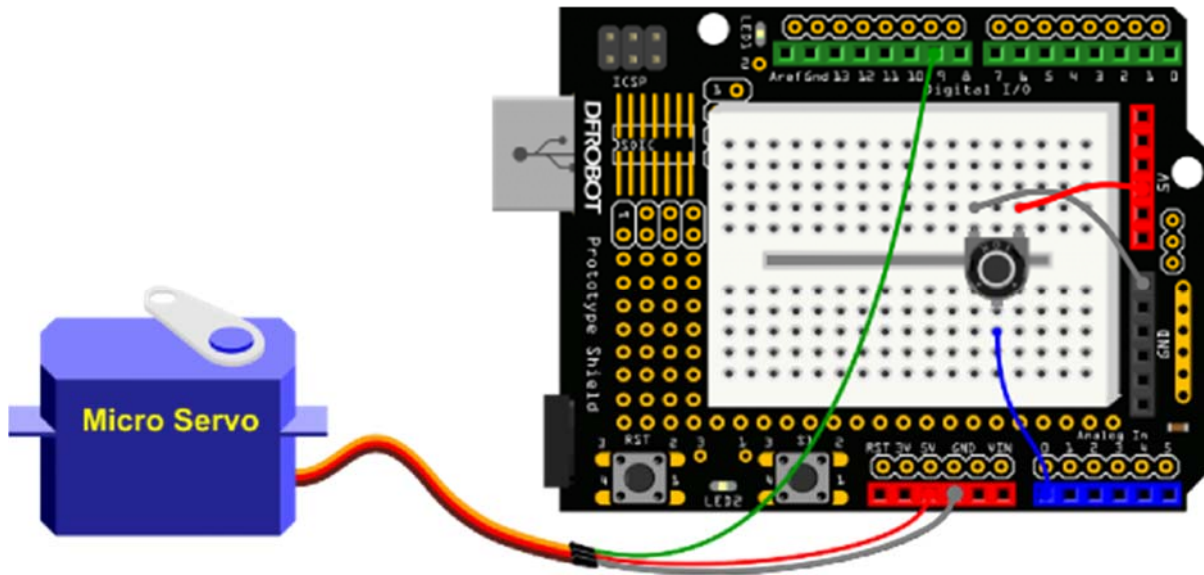
## Shield diagram

### Interface Ports



Instructions





Trouble shooting

More question and cool idea,visit [DFRobot Forum](#)