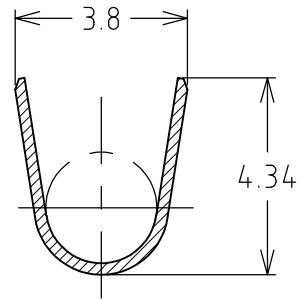
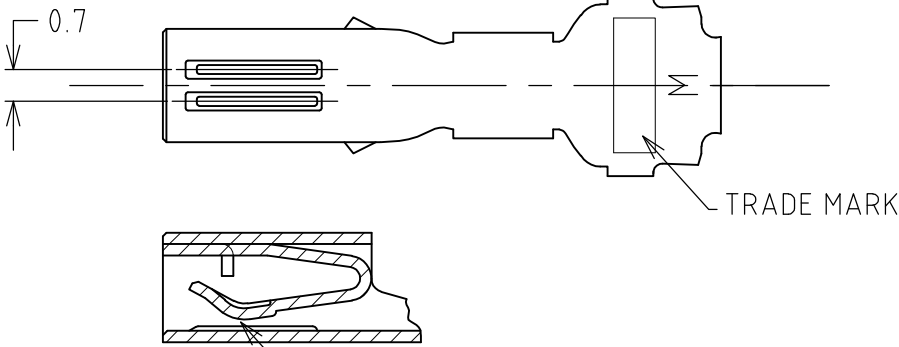
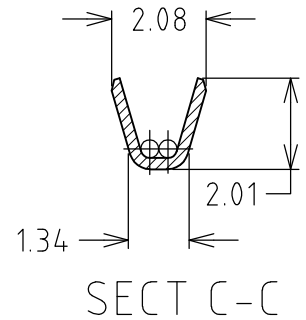
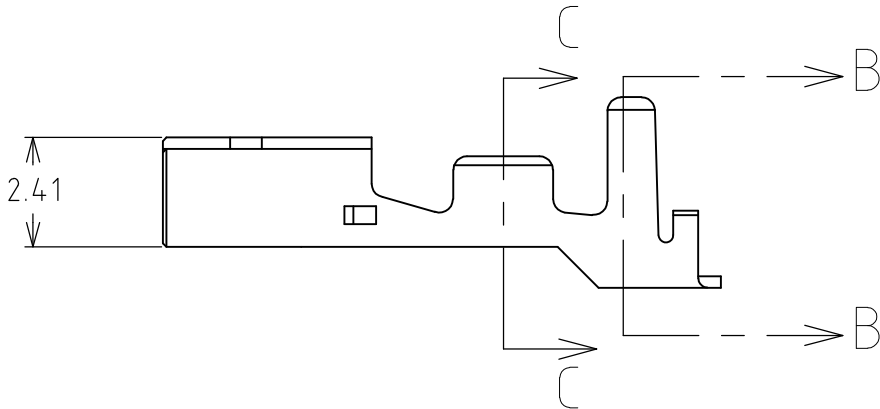
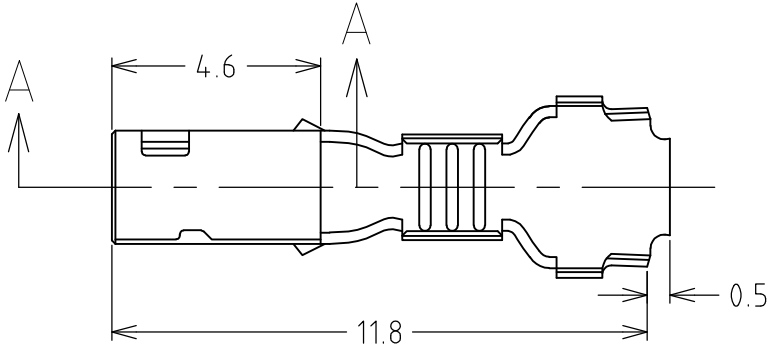


LOC J	DIST	REVISIONS ???			DATE	DWN	APVD
		P	LTR	DESCRIPTION			
			B1	REVISED ECR-13-002996	19FEB'13	B.P	YH.M



LUBRICANT AREA AND PERMISSIBLE
OUTSIDE THIS AREA ONLY FOR 1376348-2

SECT A-A

SECT B-B

AWG#24~#20 (0.22~0.53mmsq)	1.7~2.7	1376348-2
AWG#24~#20 (0.22~0.53mmsq)	1.7~2.7	1376348-1
WIER RANGE	INSULATION DIA	型番 PART NO.

THIS DRAWING IS UNPUBLISHED.

ALL RIGHTS RESERVED. BY TYCO ELECTRONICS CORPORATION.

DIMENSIONS: ??? ? mm	DWN M.SUZUKI 16MAY2008	MATERIAL ?? PRE-TIN COPPER ALLOY	FINISH ?? TIN
	CHK S.MANABE 19MAY08	Tyco Electronics Corporation Kawasaki, Japan	
TOLERANCES UNLESS OTHERWISE SPECIFIED: ????	APVD S.MANABE 19MAY08	NAME ?? 5.0 POWER KEY CONNECTOR REC CONTACT (M)	
	PRODUCT SPEC ???? 108-5699	SIZE A4	CAGE CODE 00779
0 PLC ± 1 PLC ± 2 PLC ± 3 PLC ± 4 PLC ±	APPLICATION SPEC ?????? 114-5292	DRAWING NO ?? 1376348	RESTRICTED TO —
ANGLES ± 2DEG	WEIGHT	SCALE ?? 6:1	SHEET 1 OF 1
CUSTOMER DRAWING		REV B1	